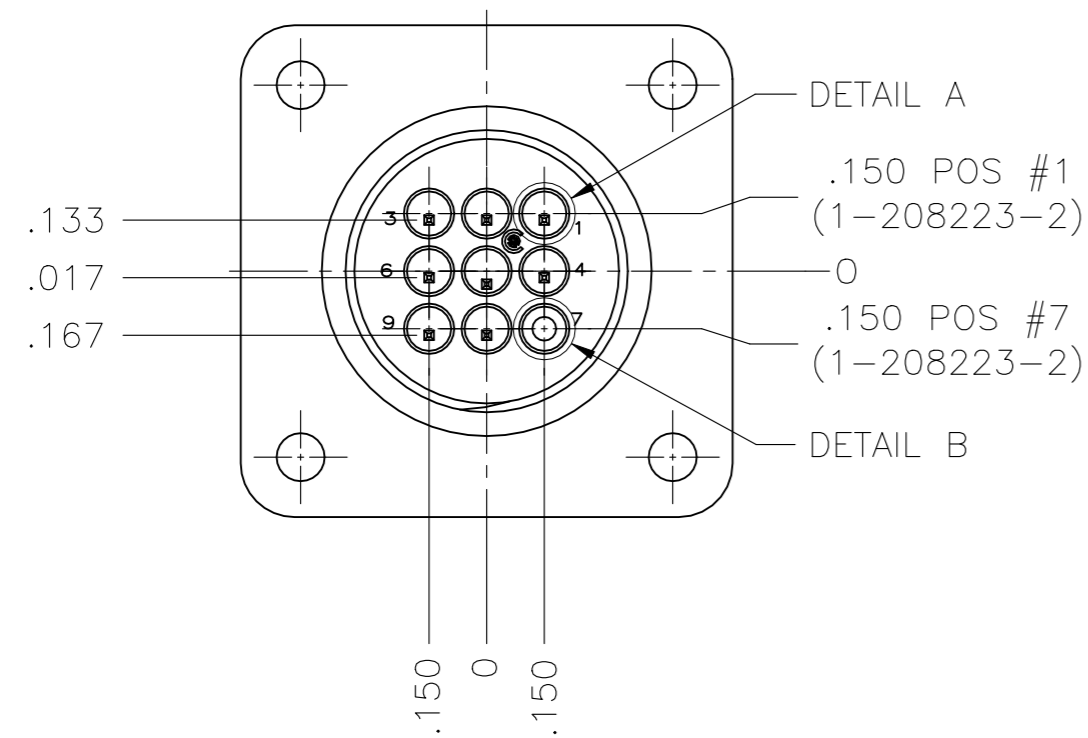
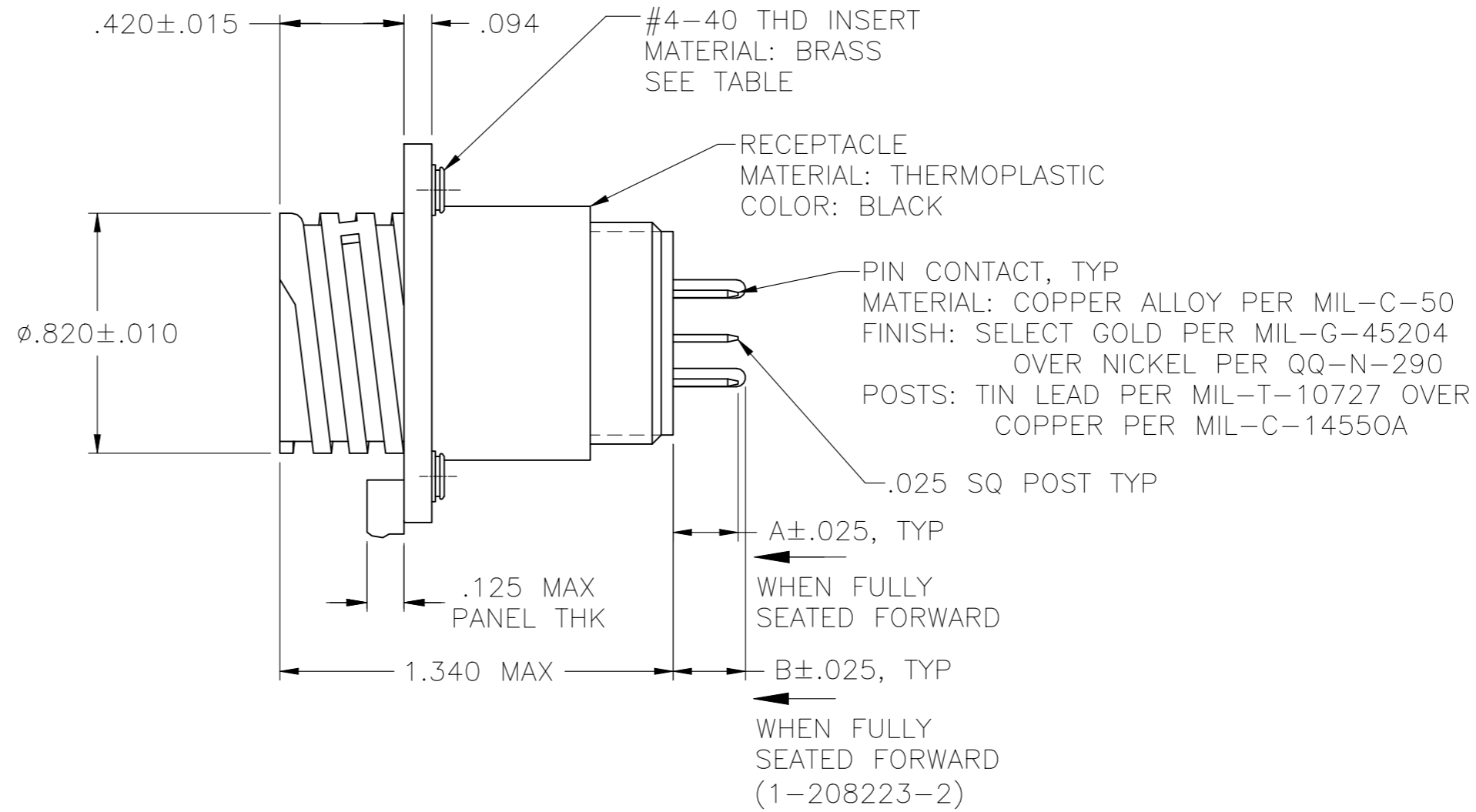
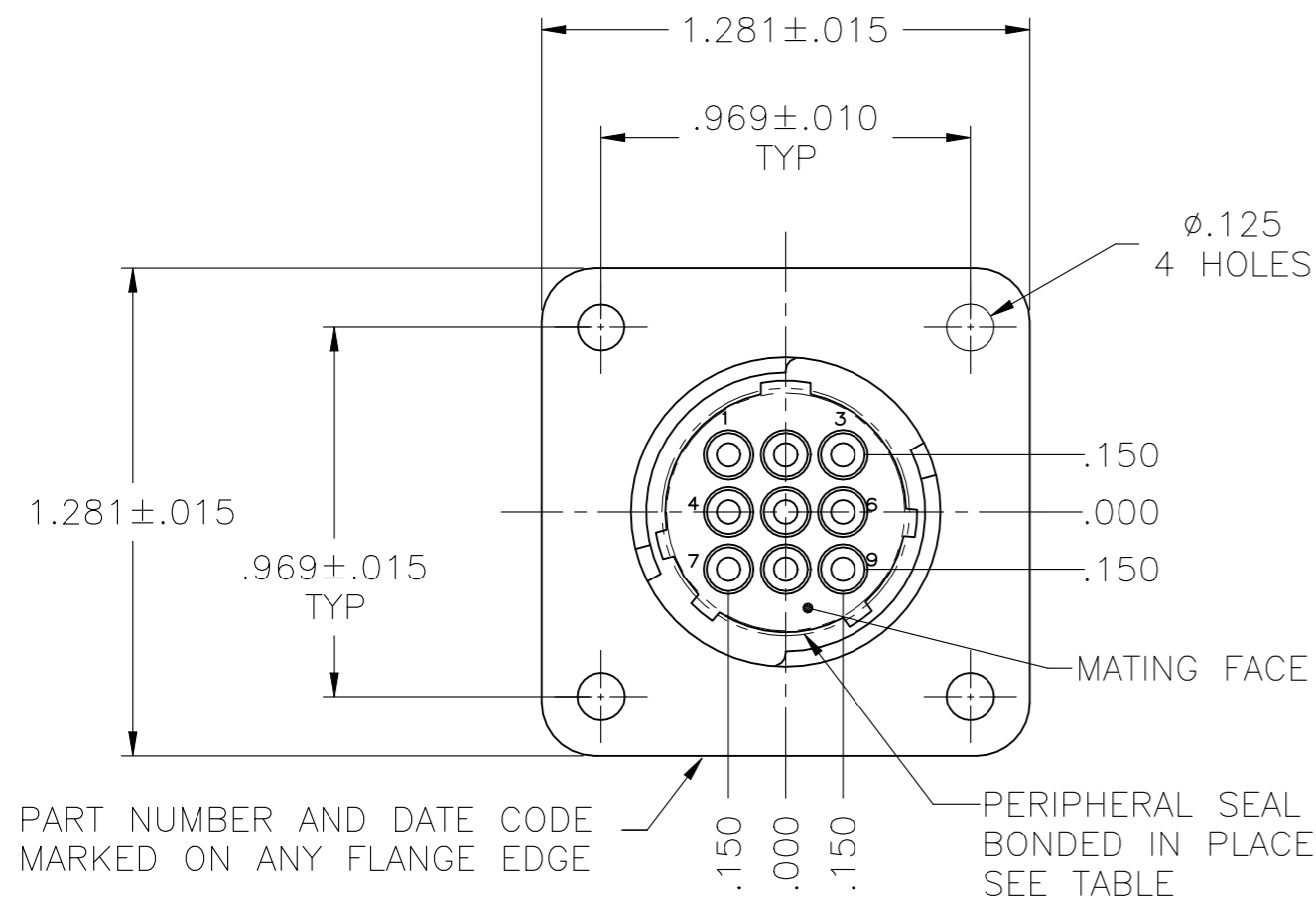
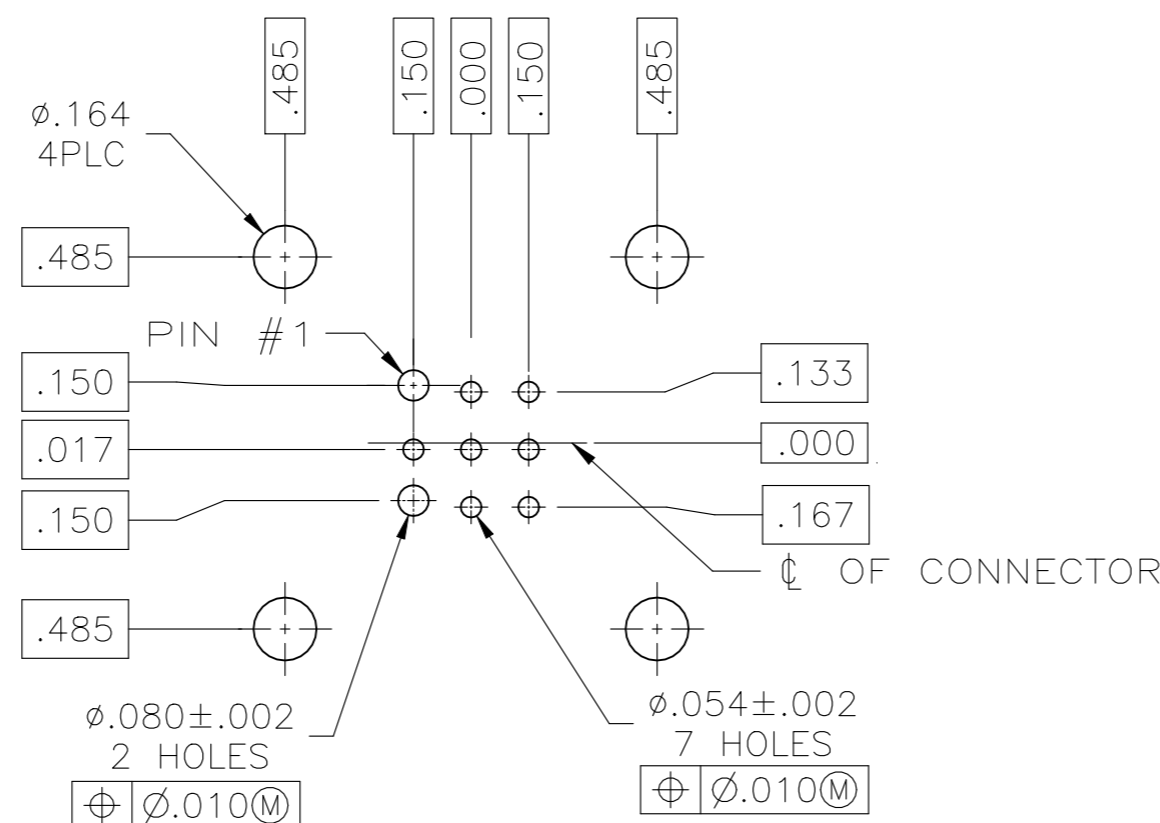
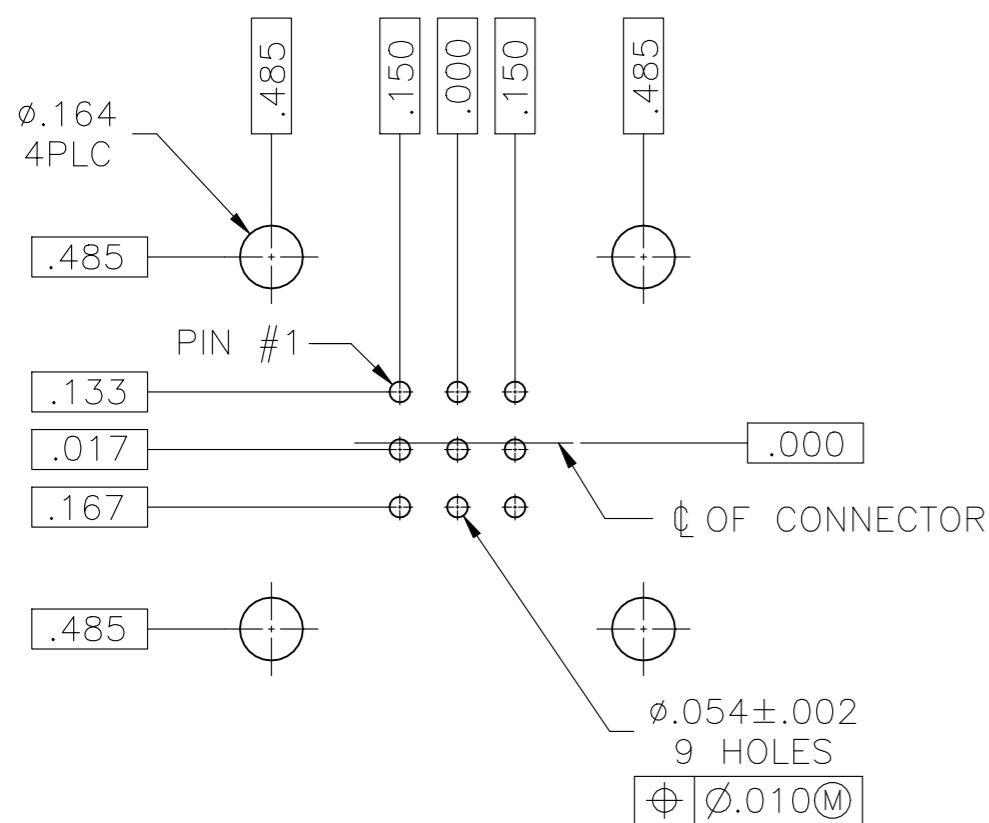


REVISIONS					
P	LTR	DESCRIPTION	DATE	DWN	APVD
V1		REVISED PER ECR-22-150475	26AUG2022	RK	MZ



- 1 1-66460-0 WILL BE SELECTIVELY LOADED INTO POSITIONS 2, 4, 6, 7, 9 AND 66464-3 WILL BE LOADED INTO POSITIONS 1, 3, 5, 8 OF THE HOUSING.
- 2 LOAD ALL POSITIONS EXCEPT POSITION NUMBER 4.
- 3 TIN PLATED CONTACTS.
- 4 194264-1 LOADED INTO POSITIONS 1 & 7.
- 5 OBSOLETE PARTS



REV	DESCRIPTION	DATE	BY	CHK	APVD	PRODUCT SPEC	APPLICATION SPEC	PERIPHERAL SEAL	THREADED INSERTS	PART NUMBER
4	OBSOLETE									1-208223-3
	OBSOLETE									1-208223-2
				3						1-208223-1
				3						1-208223-0
				3						208223-9
	OBSOLETE									208223-8
	OBSOLETE									208223-7
	OBSOLETE									208223-6
	OBSOLETE									208223-5
	OBSOLETE									208223-4
	OBSOLETE									208223-3
	OBSOLETE									208223-2
	OBSOLETE									208223-1

THIS DRAWING IS A CONTROLLED DOCUMENT.

DWN: R.LEE BG 6-22-91
 CHK: W.G.LENKER 4-14-92
 APVD: -

DIMENSIONS: INCHES
 TOLERANCES UNLESS OTHERWISE SPECIFIED:
 0 PLC ± -
 1 PLC ± -
 2 PLC ± -
 3 PLC ± .005
 4 PLC ± -
 ANGLES ± -

MATERIAL: SEE CALLOUT
 FINISH: SEE CALLOUT

WEIGHT: -
 CUSTOMER DRAWING

NAME: -
 PRODUCT SPEC: 108-10024
 APPLICATION SPEC: -

SCALE: 2:1
 SHEET: 1 OF 1
 REV: V1

TE Connectivity
 RECEPTACLE ASSEMBLY, POSTED, STD SEX, SERIES 1, 13-9, CPC

SIZE: A2
 CAGE CODE: 00779
 DRAWING NO: C=208223
 RESTRICTED TO: -