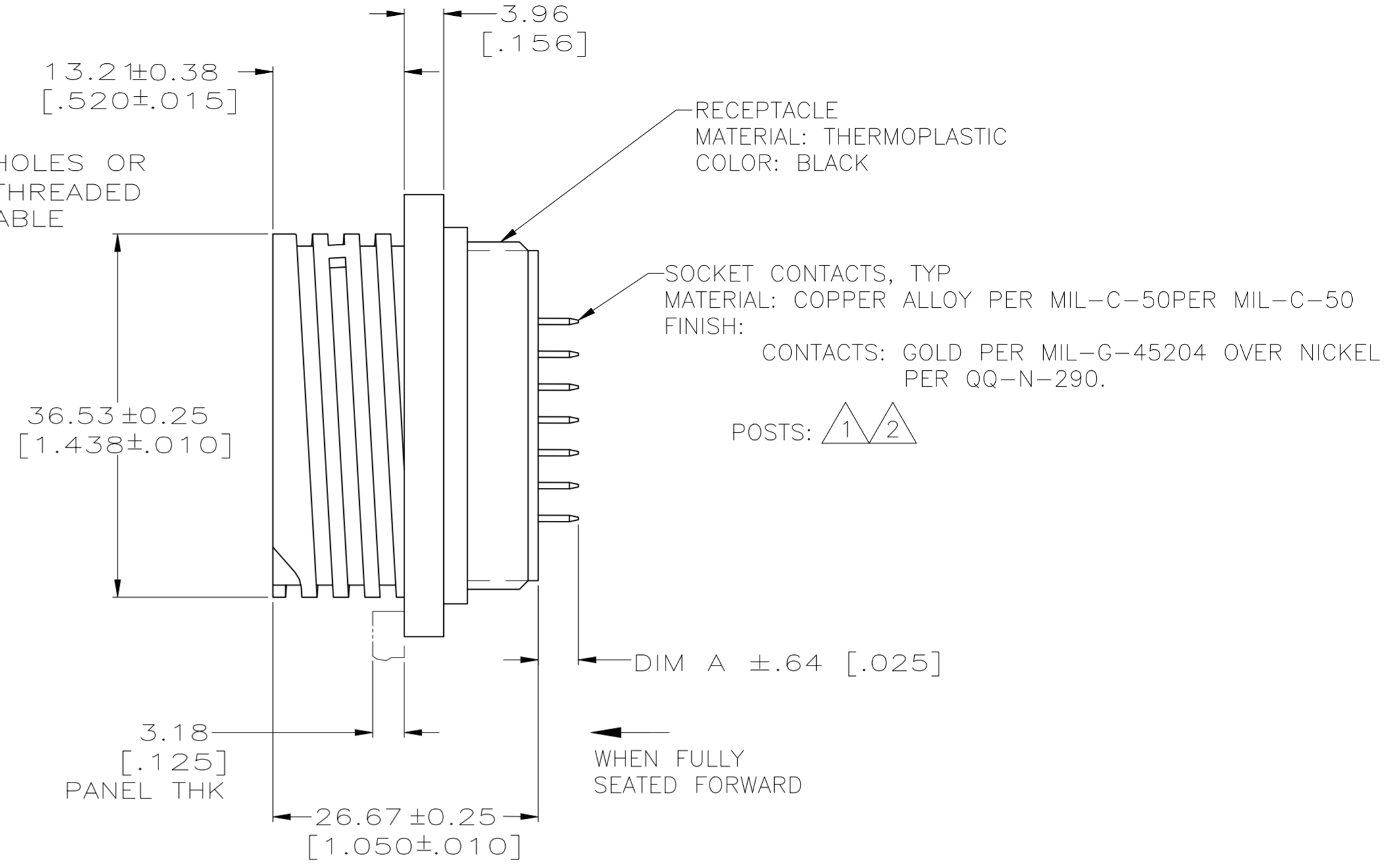
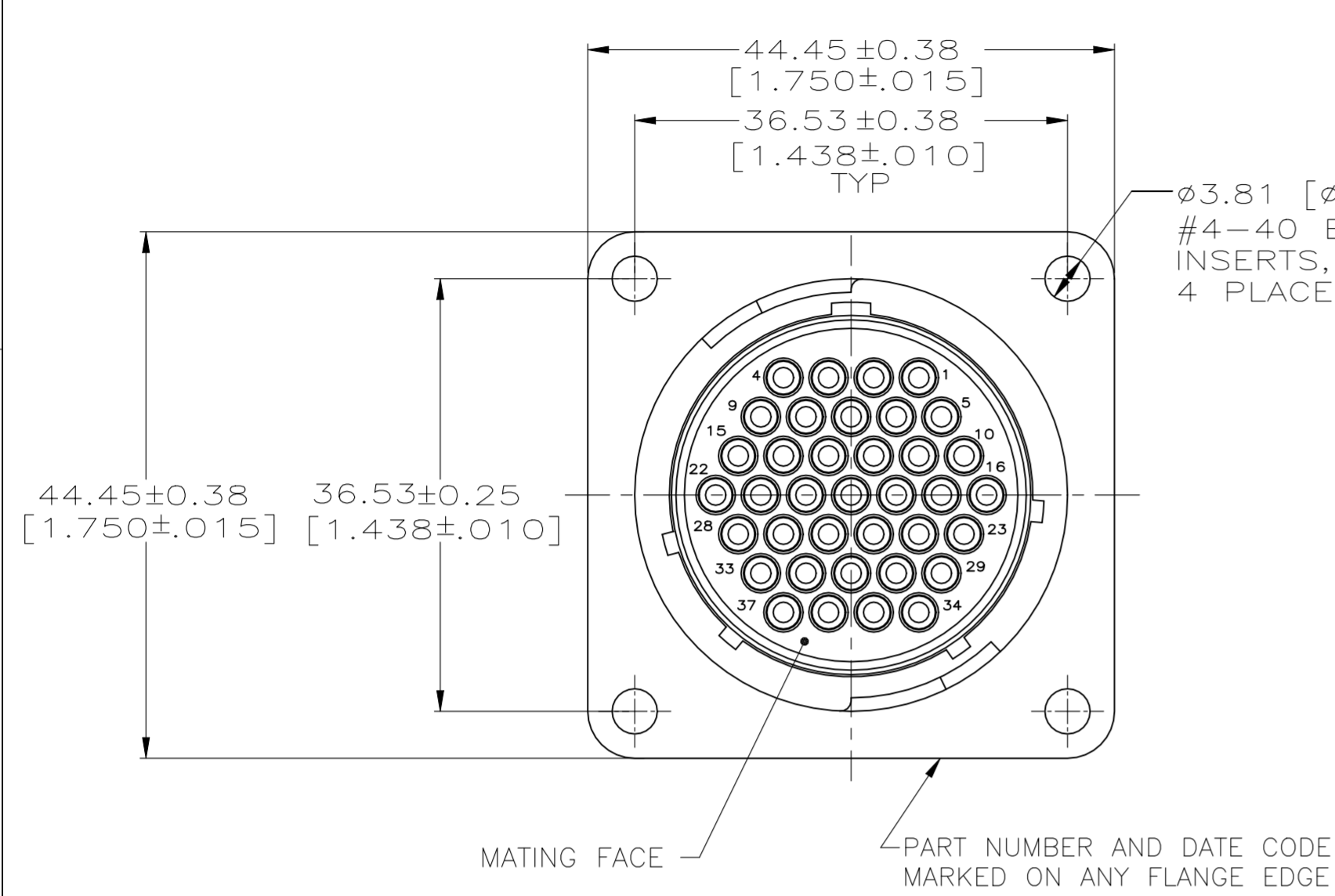
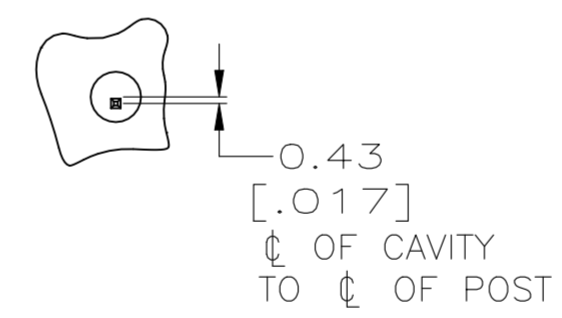


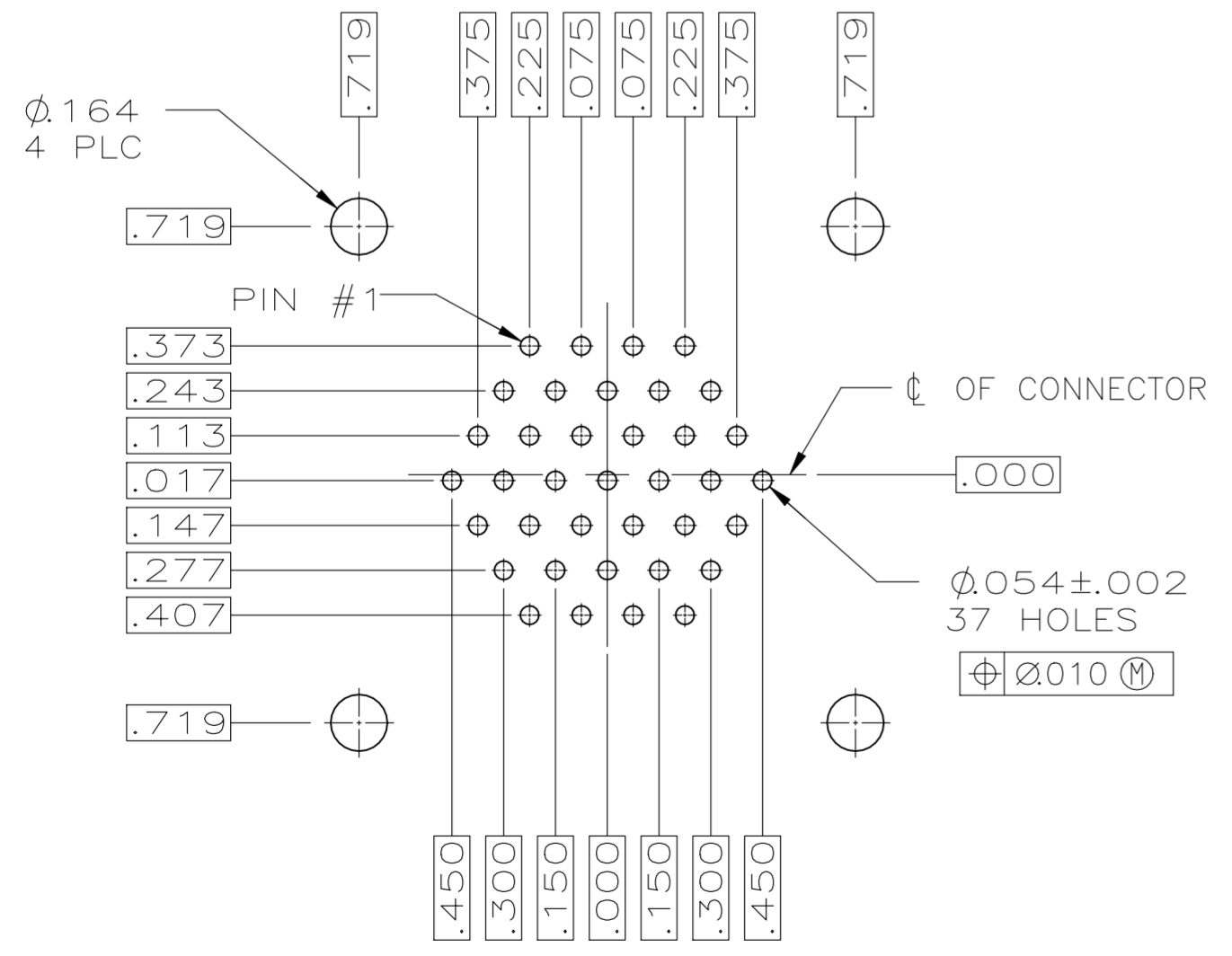
REVISIONS					
P	LTR	DESCRIPTION	DATE	DWN	APVD
G1		REVISED PER ECR-22-150475	26AUG2022	RK	MZ



- $\triangle 1$.000100 MIN. MATTE TIN-LEAD OVER .000050 MIN NICKEL.
- $\triangle 2$.000100 MIN. MATTE TIN OVER .000050 MIN NICKEL.



POST ARRANGEMENT ON REAR FACE



RECOMMENDED P.C. BOARD LAYOUT

	6.53 [.257]	YES	NO	$\triangle 2$	207890-5
OBSOLETE	4.04 [.159]	NO	YES	$\triangle 2$	207890-3
	4.04 [.159]	NO	NO	$\triangle 2$	207890-2
OBSOLETE	4.04 [.159]	NO	NO	$\triangle 1$	207890-1
DIM A	4-40 THREADED INSERTS	PERIPHERAL SEAL	FINISH	PART NUMBER	

THIS DRAWING IS A CONTROLLED DOCUMENT.

DIMENSIONS: mm [INCHES]	TOLERANCES UNLESS OTHERWISE SPECIFIED:	DWN C.J. REIFSNYDER 05/15/95	TE Connectivity
	0 PLC ± -	CHK R.STONE 05/24/95	RECEPTACLE ASSEMBLY, POSTED, REVERSE SEX, SERIES 1, 23-37, CPC
	1 PLC ± -	APVD AL FRANTUM 05/25/95	SIZE A2 CAGE CODE 00779 C=207890
	2 PLC ± 0.13[.005]	PRODUCT SPEC -	RESTRICTED TO -
	3 PLC ± -	APPLICATION SPEC -	SCALE 2:1 SHEET 1 of 1
	4 PLC ± -	WEIGHT -	REV G1
MATERIAL SEE CALLOUT	FINISH SEE CALLOUT	CUSTOMER DRAWING	