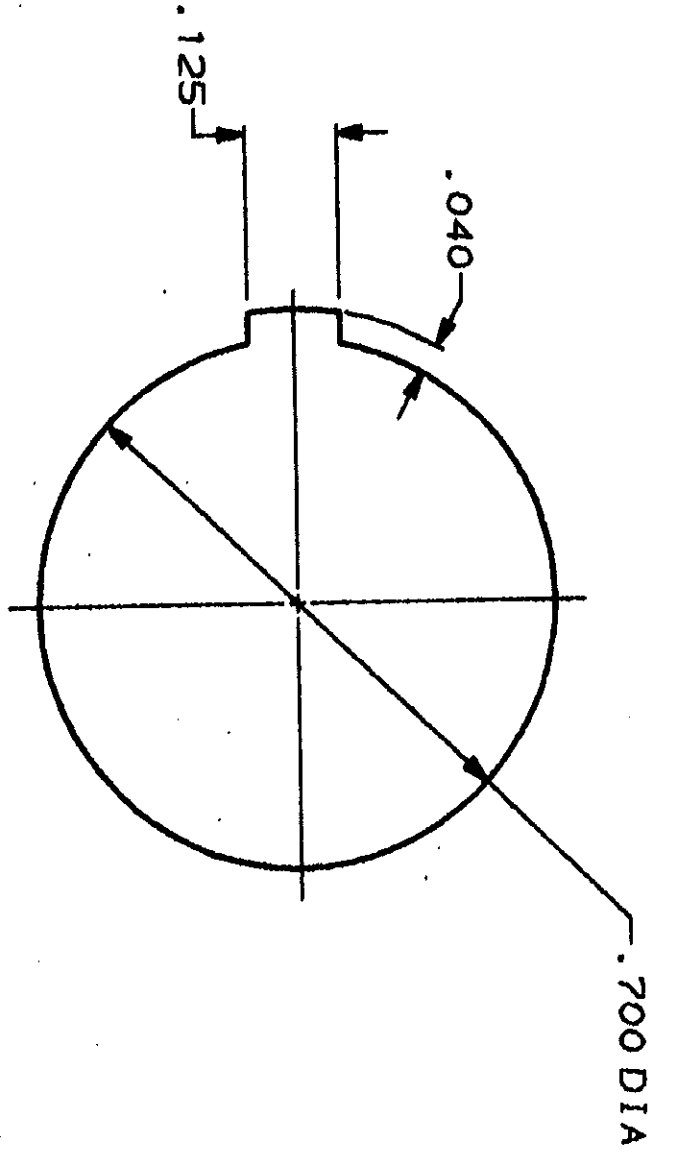
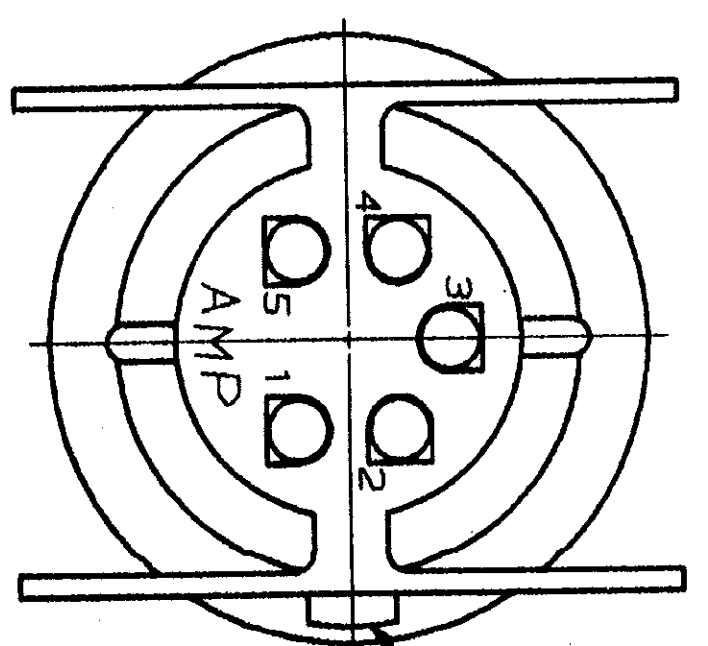
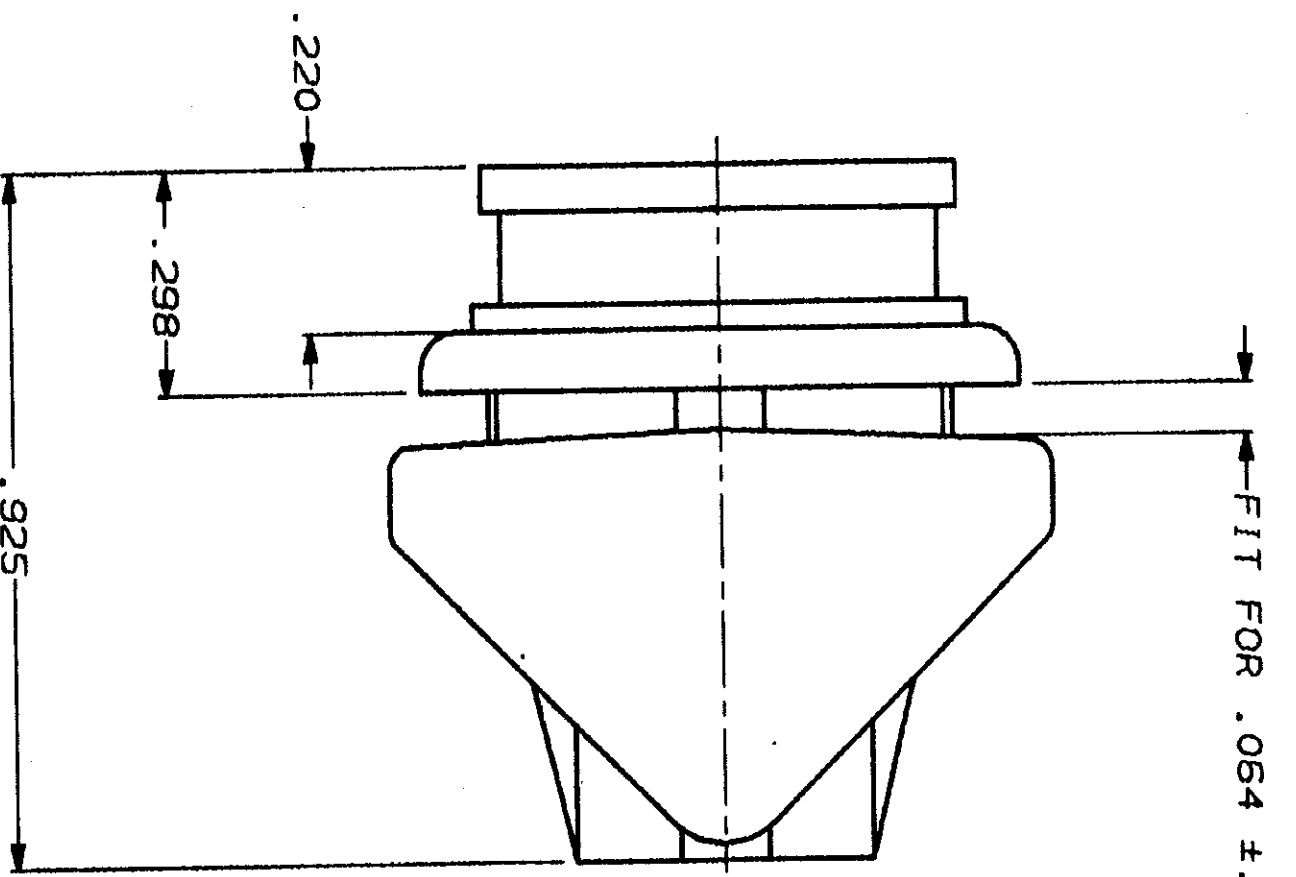
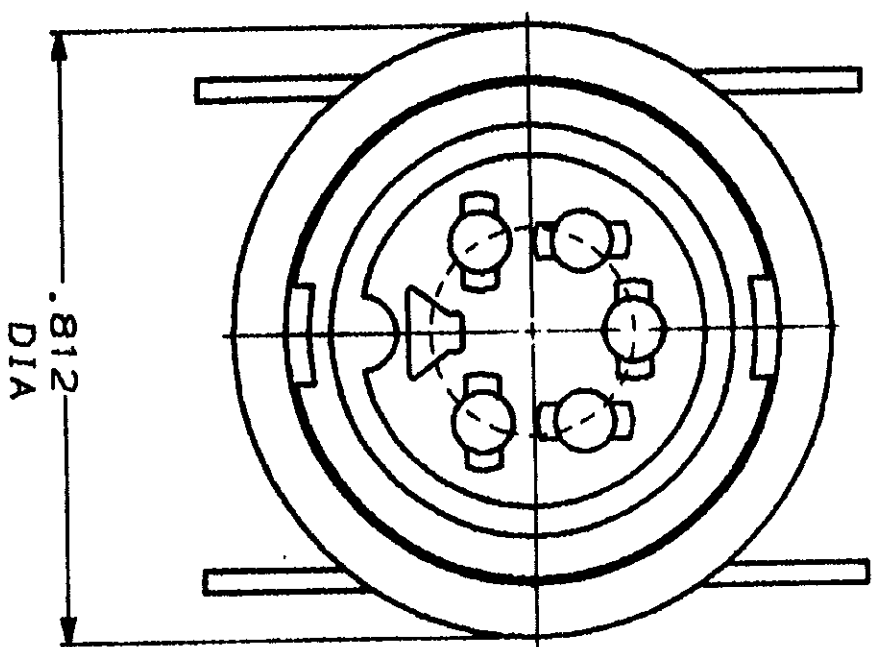


DRAWING MADE IN THIRD ANGLE PROJECTION
 THIS DRAWING IS UNPUBLISHED. RELEASED FOR PUBLICATION
 BY AMP INCORPORATED. ALL INTERNATIONAL RIGHTS RESERVED. © 19

REV	DATE	BY	DESCRIPTION	DATE	APPD
1					
2					
3					
4					



1. HOUSING TO BE INSERTED FROM PUNCHED SIDE OF PANEL.

DO NOT SCALE PRINT. UNLESS SPECIFIED DIMENSIONS IN INCHES TOLERANCES ON: 1. ALL DIMENSIONS ± .005 2. HOLE DIA ± .005 3. HOLE DEC ± .005 4. ANGLES ± .1° MATERIAL: THERMOPLASTIC COLOR-BLACK FINISH:		DR 9/5/90 A. STAB BS CHK <i>[Signature]</i> S-30-91 APPD <i>[Signature]</i> 6-3-91 APPD <i>[Signature]</i> 9/2/90 PRODUCT SPEC APPLICATION SPEC WEIGHT	NAME AMP AMP Incorporated Harrisburg, PA 17105-3608 HOUSING, SOCKET, SNAP-IN, AUDIO MICROPHONE CONNECTOR 5 POSITION SIZE C CASE CODE 00779 SCALE 4:1
---	--	--	--

207487-1
 PART NO

207487

CUSTOMER DRAWING