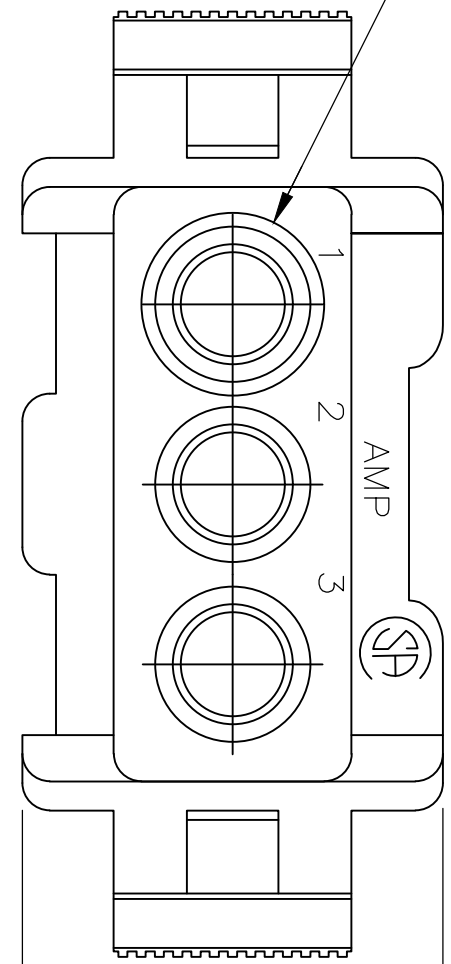


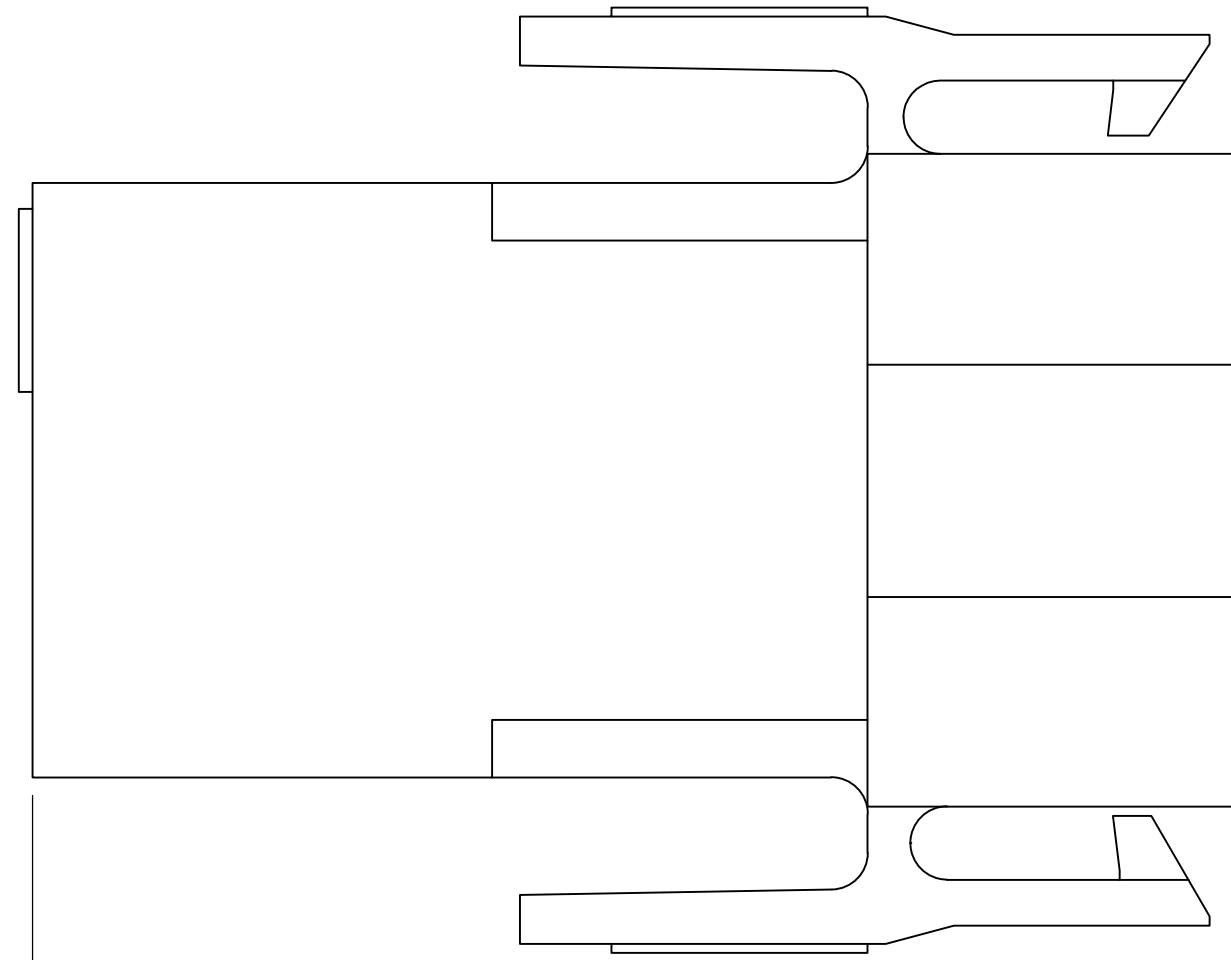
THIS DRAWING IS UNPUBLISHED. RELEASED FOR PUBLICATION
 © COPYRIGHT - By - ALL RIGHTS RESERVED.

REVISIONS					
P	LTR	DESCRIPTION	DATE	DWN	APVD
H		REVISED PER ECO-20-001558	05FEB2020	SG	MZ

RAISED CAVITY IDENTIFICATION
ON REAR FACE ONLY.

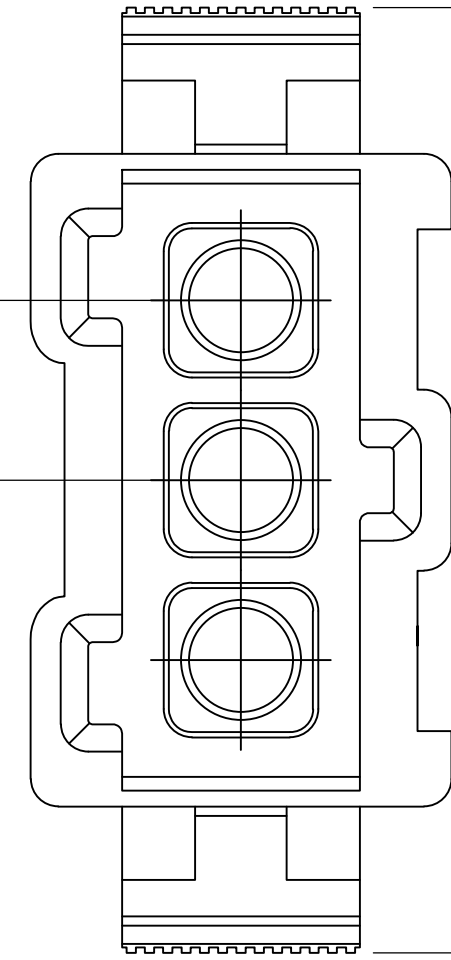


12.32 MAX
[.485]



33.70±0.50
[1.327±.020]

5.00
[.197]
TYP



26.25±0.50
[1.034±.020]

- ① ROUNDED EDGES ON THE OUTSIDE AND CHAMFERS BY THE LOCKING LATCHES, REF 928094.
- ② OBSOLETE PARTS: OBSOLETE CIS STREAMLINING PER D.RENAUD/D.SINISI
- ③ HOUSING MATERIAL: PA66, BLACK, UL 94 V-0 RATED.

② OBSOLETE ① 207359-2-
207359-1

PART
NUMBER

THIS DRAWING IS A CONTROLLED DOCUMENT.		DWN J.GALLUCI 14 AUG 91	TE Connectivity																				
DIMENSIONS: mm [INCHES]		CHK J.McCLINTON 23 SEP 91																					
TOLERANCES UNLESS OTHERWISE SPECIFIED:		APVD A.TRAVIS 23 SEP 91	NAME HOUSING, RECEPTACLE, 3 POSITION, IN-LINE, FREE HANGING, METRIMATE																				
<table border="0"> <tr><td>0 PLC</td><td>±</td><td>-</td></tr> <tr><td>1 PLC</td><td>±</td><td>-</td></tr> <tr><td>2 PLC</td><td>±</td><td>0.25 [.010]</td></tr> <tr><td>3 PLC</td><td>±</td><td>-</td></tr> <tr><td>4 PLC</td><td>±</td><td>-</td></tr> <tr><td>ANGLES</td><td>±</td><td>-</td></tr> </table>		0 PLC	±	-	1 PLC	±	-	2 PLC	±	0.25 [.010]	3 PLC	±	-	4 PLC	±	-	ANGLES	±	-	PRODUCT SPEC 108-10033	SIZE A2	CAGE CODE 00779	DRAWING NO C=207359
0 PLC	±	-																					
1 PLC	±	-																					
2 PLC	±	0.25 [.010]																					
3 PLC	±	-																					
4 PLC	±	-																					
ANGLES	±	-																					
MATERIAL	FINISH	WEIGHT	SCALE 4:1	SHEET 1 of 1	REV H																		
③		CUSTOMER DRAWING																					