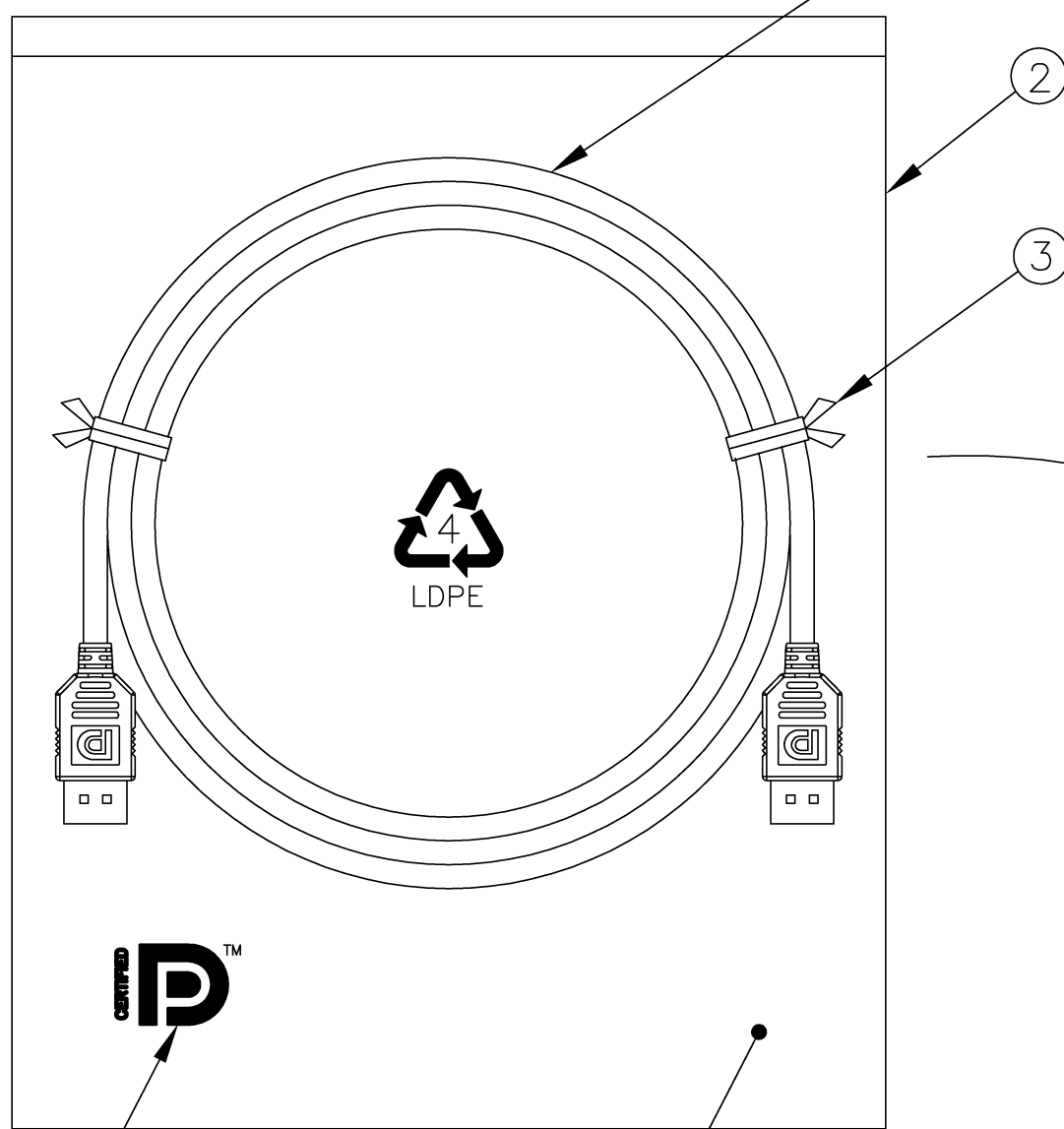


THIS DRAWING IS UNPUBLISHED. RELEASED FOR PUBLICATION
 © COPYRIGHT BY TYCO ELECTRONICS CORPORATION. ALL RIGHTS RESERVED.

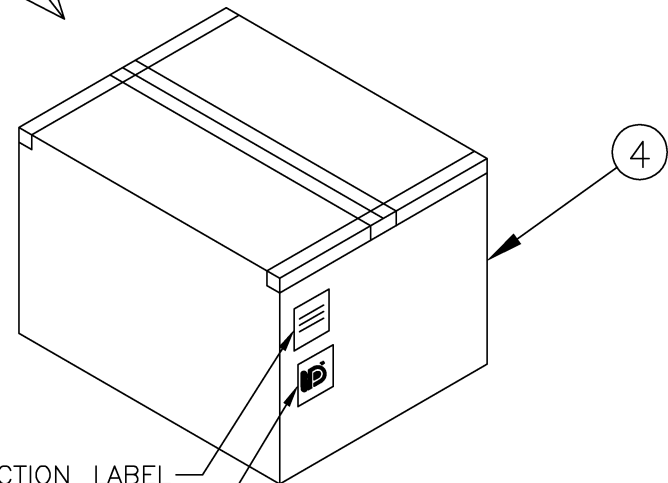
LOC	DIST	REVISIONS			
P	LTR	DESCRIPTION	DATE	DWN	APVD
J	-	B	REVISED	11JUL2008	I.I T.F

2069230-1,-2: AS SHOWN



PACKAGE PART NUMBER (SALEABLE PART NUMBER)	#1 CABLE ASSEMBLY PART NUMBER (NOT FOR SALE)	LENGTH	STATUS
2069230-2	#1 2013683-2	2000 ±40	AVAILABLE
2069230-1	#1 2013683-1	1000 ±40	NOT AVAILABLE

#1 REMARKS :
 THIS PN ONLY REPRESENTS "CABLE ASSEMBLY ITSELF" AND IS NOT SOLD DIRECTLY AND PLEASE REFER TO "PACKAGE PN" RESPECTIVELY AS AN ORDERABLE AND SHIPPABLE PRODUCT WHICH IS PACKED TO BE DURABLE FOR THE APPROPRIATE TRANSPORTATION OUT OF MANUFACTURING LOCATION.



QTY	DESCRIPTION	ITEM
1	CARTON BOX	④
80	MINI TIE	③
40	PE BAG	②
40	CABLE ASSEMBLY	①

Tyco Electronics

TE P/N : _____
 CUSTOMER : _____
 CUSTOMER P/N: _____
 Q'TY : _____
 DATE : _____
 NAME : _____

STANDARD PRODUCTION LABEL

THIS DRAWING IS A CONTROLLED DOCUMENT.

DIMENSIONS: mm	TOLERANCES UNLESS OTHERWISE SPECIFIED: 0 PLC ± - 1 PLC ± - 2 PLC ± - 3 PLC ± - 4 PLC ± - ANGLES ± -	DWN I.IGARASHI 13MAR2008 CHK M.HARASAWA 13MAR2008 APVD T.FUTATSUGI 13MAR2008	Tyco Electronics Corporation Kawasaki, Japan	
MATERIAL	FINISH	PRODUCT SPEC 108-78532	NAME DISPLAYPORT CABLE ASSEMBLY WITHOUT LATCH	
		APPLICATION SPEC	SIZE A3	RESTRICTED TO
		WEIGHT	CAGE CODE 00779	DRAWING NO C-2069230
		CUSTOMER DRAWING	SCALE NTS	SHEET 1 OF 1 REV B