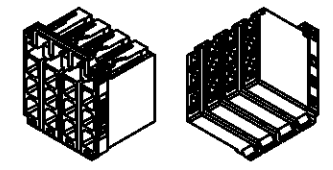
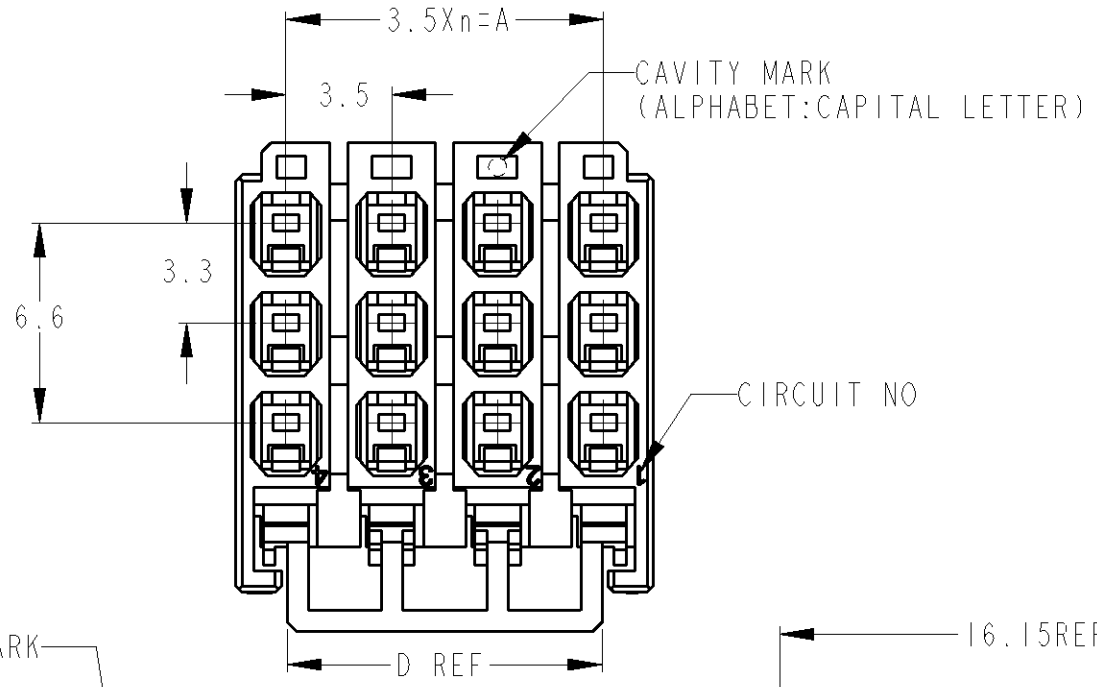


THIS DRAWING IS UNPUBLISHED. RELEASED FOR PUBLICATION 20
 © COPYRIGHT 20 BY TYCO ELECTRONICS CORPORATION. ALL RIGHTS RESERVED.

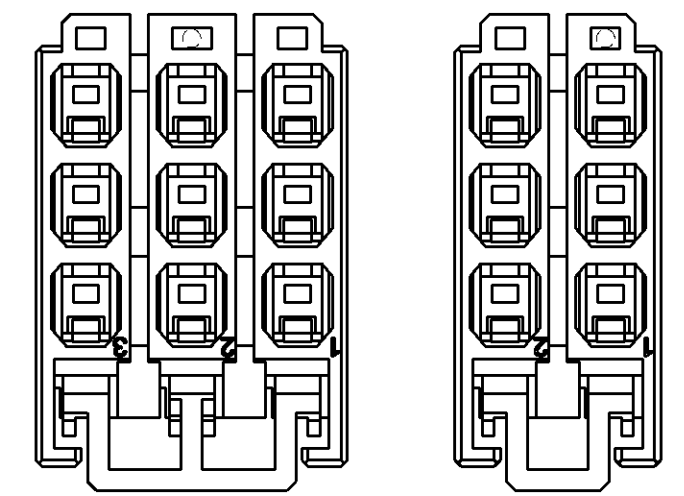
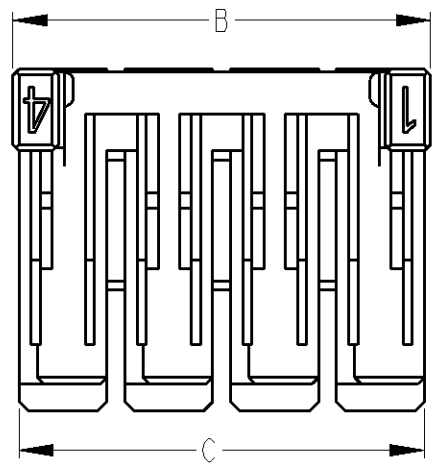
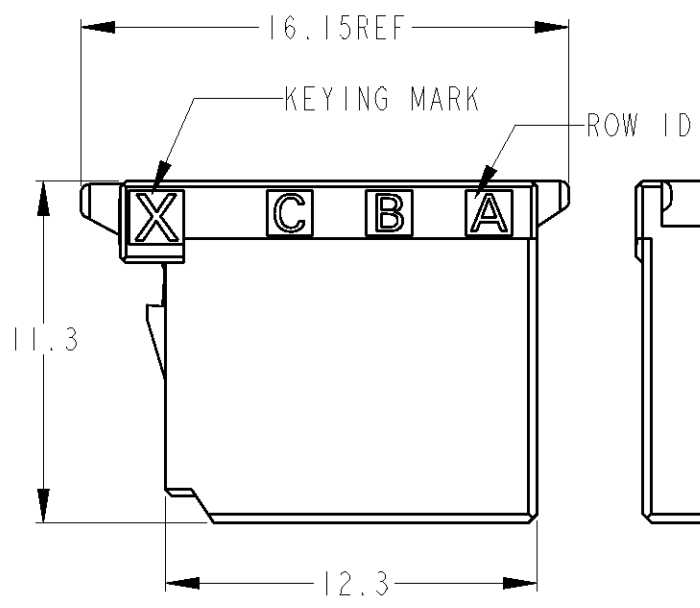
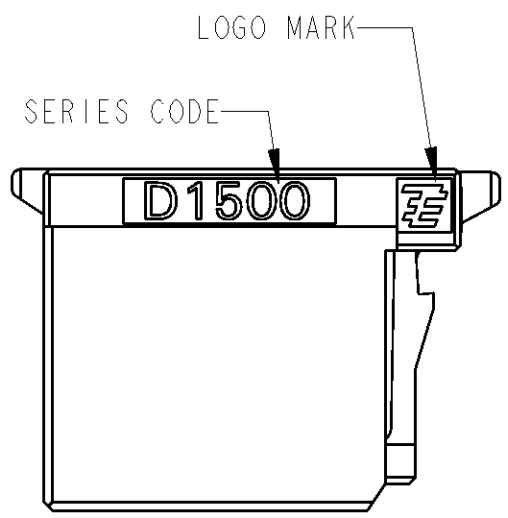
LOC	DIST	REVISIONS					
		P	LTR	DESCRIPTION	DATE	DWN	APVD
J	-		A	RELEASED	23APR2010	M.M	T.M



SCALE 1:1

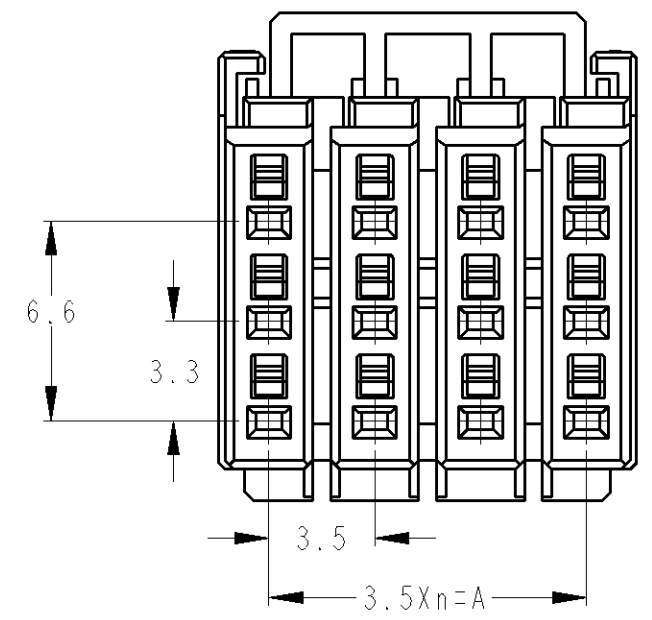


CIRCUIT NO



9POS (X-KEY)
1-2069029-3

6POS (X-KEY)
1-2069029-2



AS SHOWN :
12POS (X-KEY): 1-2069029-4

1. MATERIAL: GLASS FILED THERMO PLASTIC POLYESTER(94V-0), COLOR: BLACK
 2. THE SHAPE, SIZE AND POSITION OF THE CHARACTER SHOW THE OUTLINE. THEY DON'T SHOW DETAILS.

1. 材料: ガラス入り熱可塑性ポリエステル樹脂(94V-0)、色: 黒
 2. 文字の形状、大きさ、および位置については、大略を示すものであり、詳細を示すものではありません。

POS	KEY	n	A	B	C	D	PART NO
12	X	3	10.5	13.8	13.4	10.2	1-2069029-4
9	X	2	7.0	10.3	9.9	6.7	1-2069029-3
6	X	1	3.5	6.8	6.4	3.2	1-2069029-2

THIS DRAWING IS A CONTROLLED DOCUMENT FOR TYCO ELECTRONICS CORPORATION IT IS SUBJECT TO CHANGE AND THE CONTROLLING ENGINEERING ORGANIZATION SHOULD BE CONTACTED FOR THE LATEST REVISION.		DWN 23APR2010 M. MAEBASHI CHK 23APR2010 N. YAMASAKI APVD 23APR2010 T. MASUDA		Tyco Electronics Corporation Kawasaki, Japan	
DIMENSIONS: 単位: 概 mm		TOLERANCES UNLESS OTHERWISE SPECIFIED: 一般公差 ±0.3, ±5° ① PLC ± ② PLC ±0.1 ③ PLC ±0.02 ④ PLC ±0.005 ⑤ PLC ±0.0005 ANGLES ±		NAME 名称 DYNAMIC D1500T 3.5mm PITCH REC HSG 6-12POS	
		PRODUCT SPEC 製品規格 108-78268, 78298		SIZE A3 CAGE CODE 00779 DRAWING NO 番号 C-2069029 RESTRICTED TO -	
MATERIAL 材料 		FINISH 仕上 -		WEIGHT - CUSTOMER DRAWING SCALE 尺度 4:1 SHEET OF REV A	