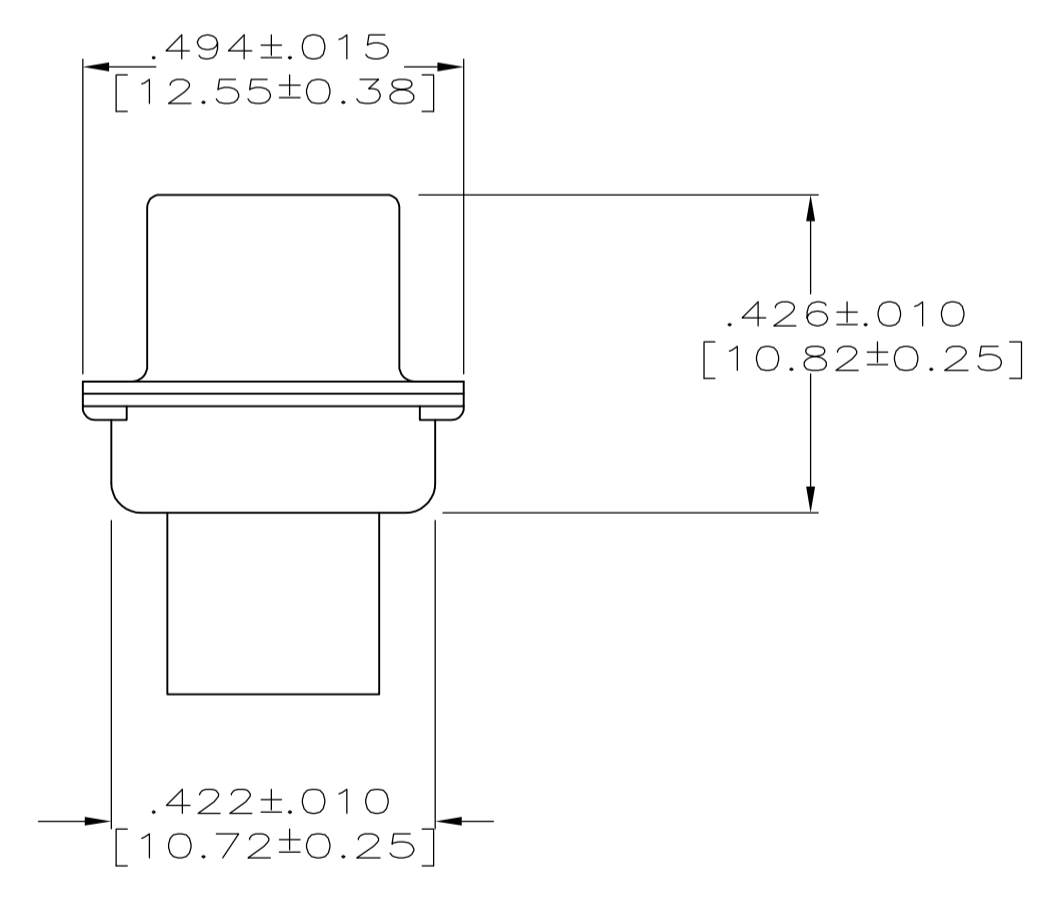
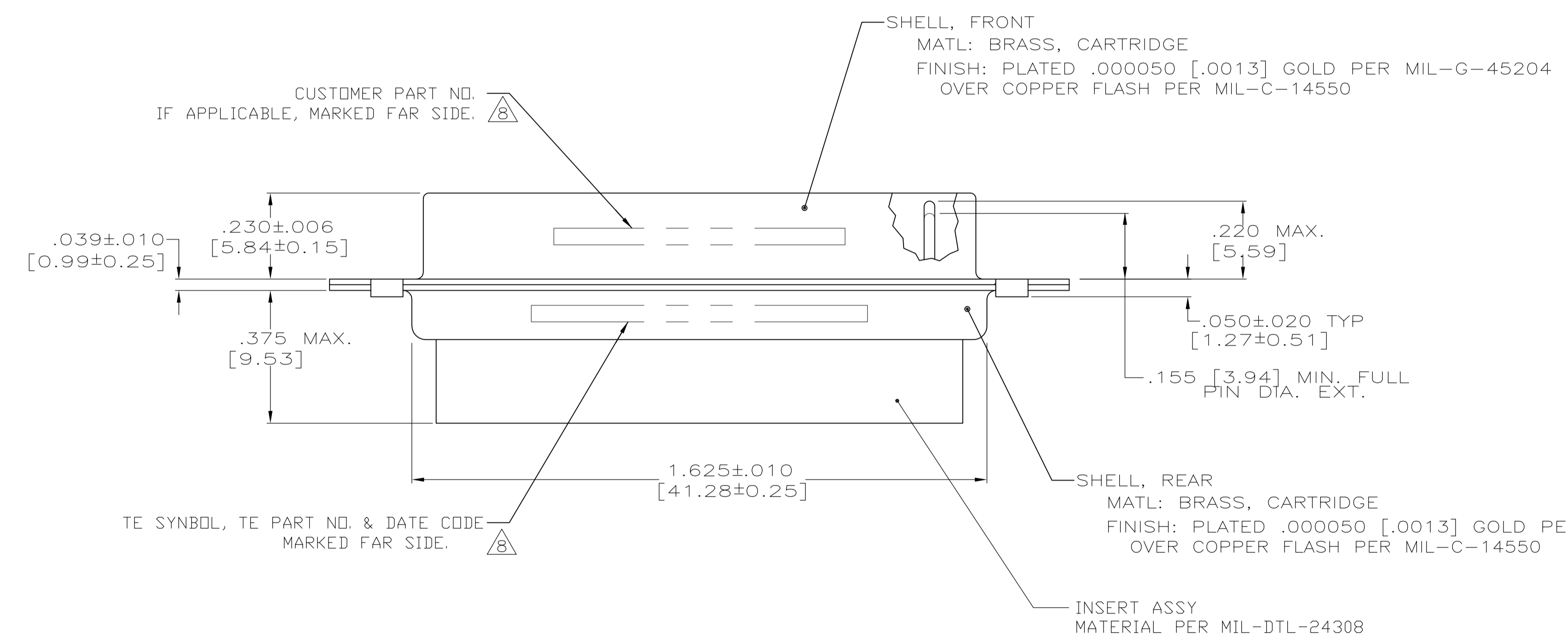
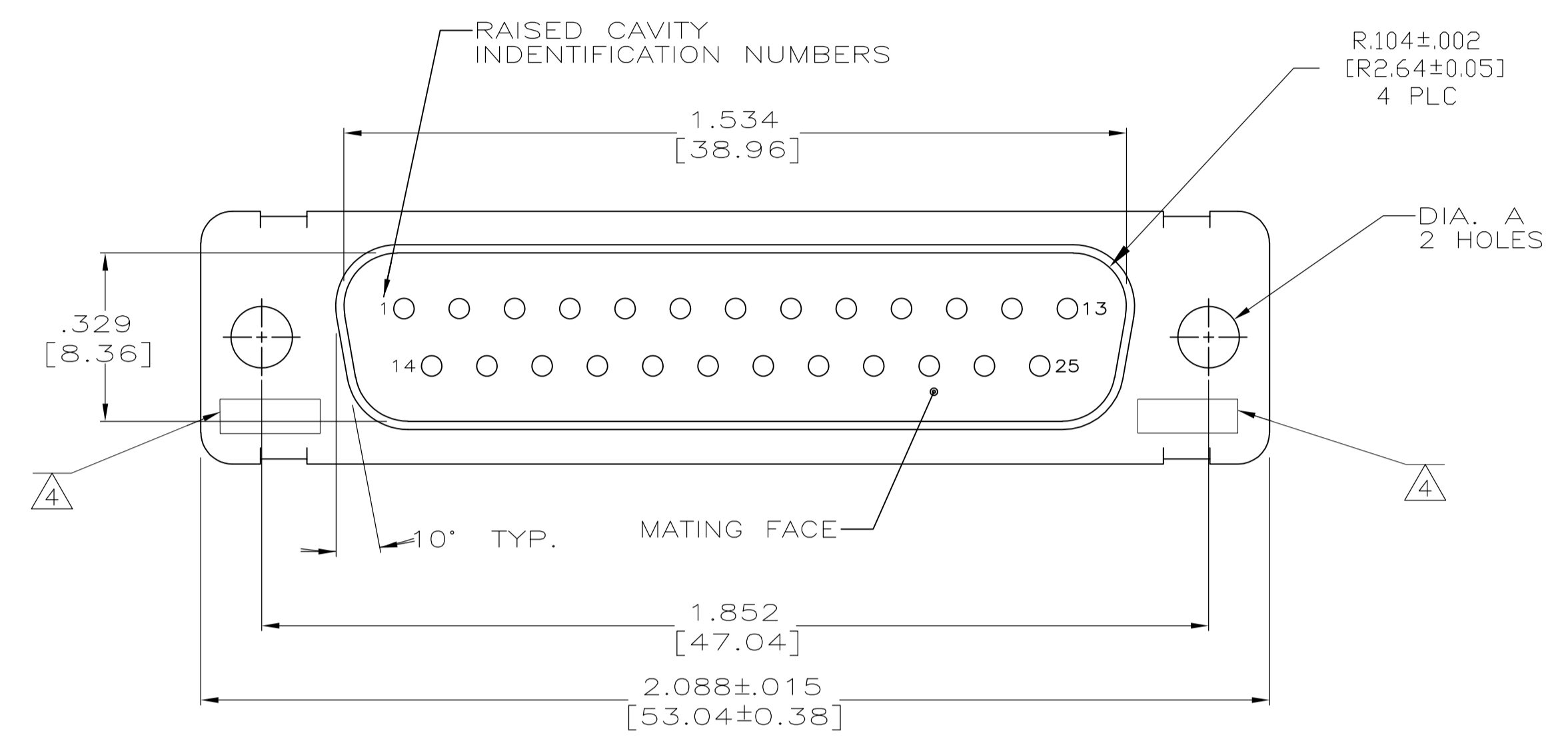


| LOC | | DIST | | REVISIONS | | | |
|-----|-----|-----------------------|---------|-----------|------|--|--|
| P | LTR | DESCRIPTION | DATE | DNW | APVD | | |
| P | | REV PER ECO 15-016064 | 11-9-15 | CT | CD | | |

- THIS PLUG WILL MATE WITH ANY RECEPTACLE CONNECTOR WITH SAME INSERT ARRANGEMENT AS DEFINED BY MS18275-1.
- MAXIMUM WIRE INSULATION USED WITH THIS PLUG IS .072 [1.83] DIA. MAX.
- Be-Cu RETENTION CLIPS ARE INCLUDED IN INSERTS.
- UL/CSA DESIGNATION STAMPED IN THIS AREA, OPTIONAL.
- RESTRICTED TO CAE ELECTRONICS ONLY.
- THESE CONNECTORS ARE QUALIFIED TO GODDARD SPACE FLIGHT CENTER SPECIFICATION S-311-P-4.
- CONTACT NOT INCLUDED - SHOWN FOR DIMENSIONAL REFERENCE ONLY.
- FAR SIDE REFERS TO WIDE SIDE OF KEYSTONE.



| REMARKS | DIA A | CUSTOMER P/N ON CONNECTOR | TE P/N ON CONNECTOR | AMP P/N |
|-------------------------|-------------|---------------------------|---------------------|----------|
| SUPERSEDED BY 1996076-3 | .120 [3.05] | 8333648P4 | 206800-8 | 206800-8 |
| | .120 [3.05] | 570513-8 | 206800-7 | 206800-7 |
| | .120 [3.05] | 311P409-3P-B-12 | 206800-2 | 206800-6 |
| OBSOLETE | .120 [3.05] | --- | 206800-5 | 206800-5 |
| OBSOLETE | .120 [3.05] | 2A014-003V-001 | 206800-4 | 206800-4 |
| | .154 [3.91] | --- | 206800-3 | 206800-3 |
| | .120 [3.05] | 311P409-3P-B-12 | 206800-2 | 206800-2 |
| | .154 [3.91] | 311P409-3P-B-15 | 206800-1 | 206800-1 |

THIS DRAWING IS A CONTROLLED DOCUMENT.

DIMENSIONS: INCHES

TOLERANCES UNLESS OTHERWISE SPECIFIED:

| | |
|--------|---------------|
| 0 PLC | ± .005 |
| 1 PLC | ± .005 |
| 2 PLC | ± .005 |
| 3 PLC | ± .005 [0.13] |
| 4 PLC | ± .005 |
| ANGLES | ± .030° |

MATERIAL: SEE CALLOUTS

FINISH: SEE CALLOUTS

APPROVED: M. CLOUSER (1-3-89), A. EMADI (1-6-89)

PRODUCT SPEC: AMPLIMITE NONMAGNETIC PLUG ASSEMBLY WITHOUT SIZE 20 PIN CONTACTS, SERIES 109, SHELL SIZE 3, 25 POSITION

APPLICATION SPEC: ---

WEIGHT: ---

SIZE: A1

CAGE CODE: 00779

DRAWING NO: 206800

CUSTOMER DRAWING

SCALE: 4:1

SHEET: 1 OF 1

REV: P

STE TE Connectivity