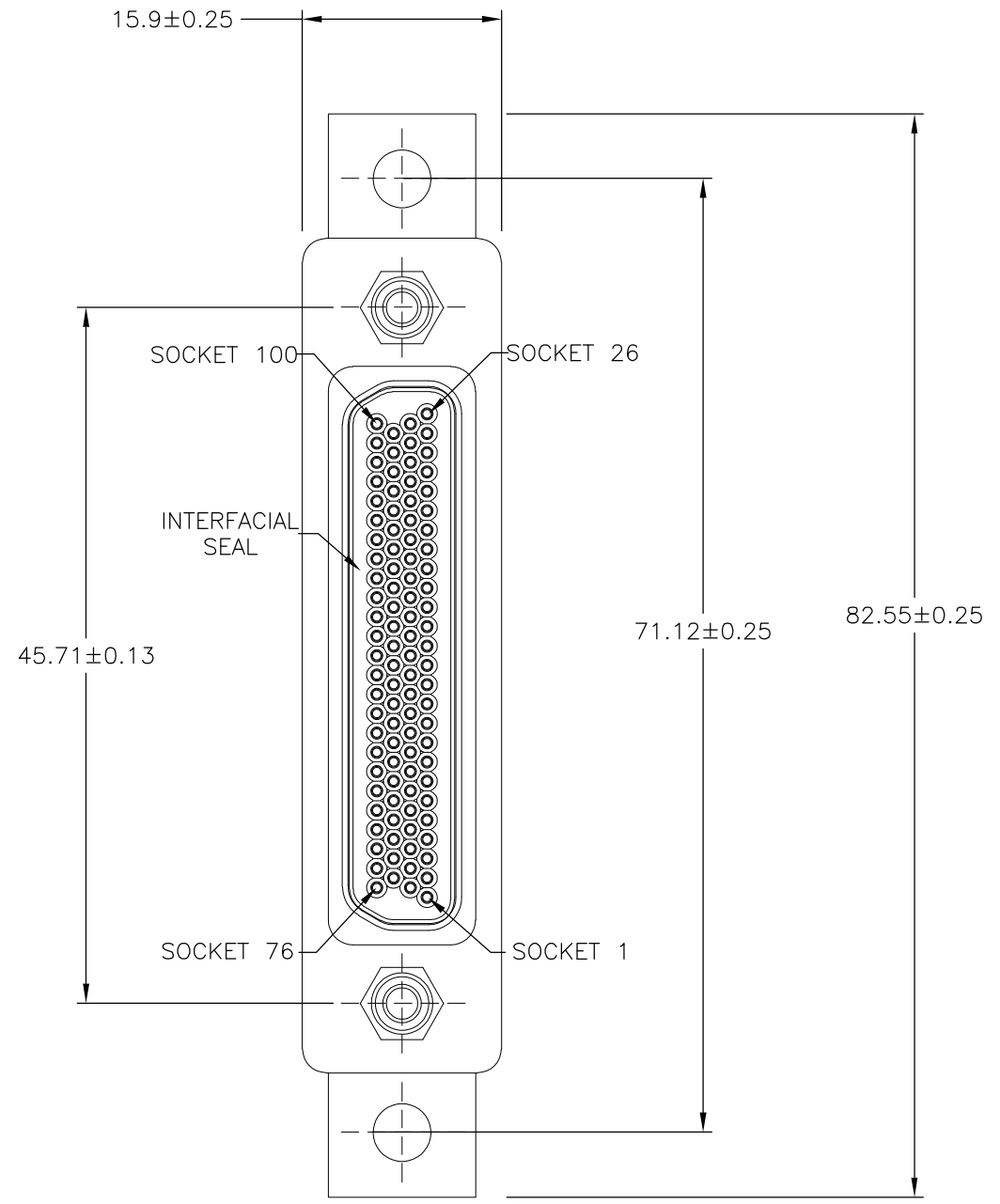
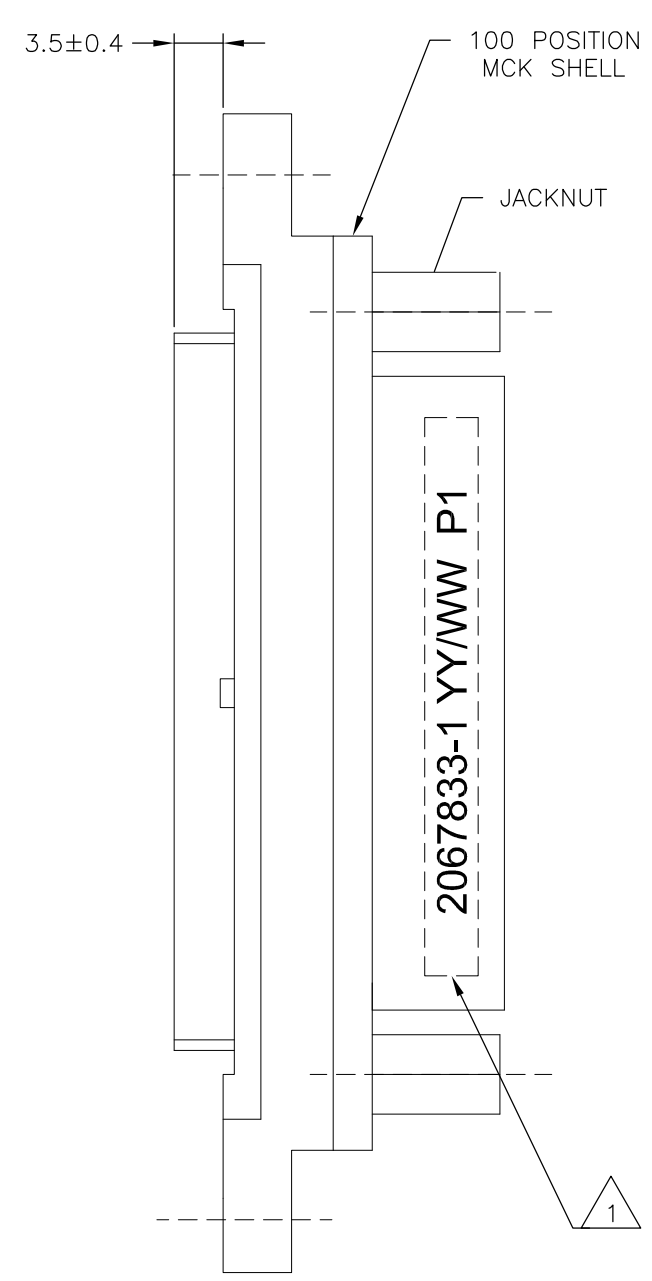


THIS DRAWING IS UNPUBLISHED. RELEASED FOR PUBLICATION
 © COPYRIGHT - By - ALL RIGHTS RESERVED.

LOC	DIST	REVISIONS					
		P	LTR	DESCRIPTION	DATE	DWN	APVD
-	-		B	INK MARKING INTRODUCED (ECR-13-008032)	03MAY2013	SS	SK



- 1 TE PN, DATE CODE (YYWW), CONNECTOR IDENTIFIER ARE PRINTED ON THE CONNECTOR SHELL.
- 2 SPECIFICATION:
 - a. ELECTRICAL:
 - CONTACT RESISTANCE : 25 MILLIVOLTS MAX. AT 3 AMPS
 - INSULATION RESISTANCE : 5000 MEGAOHMS MIN. @ 500 VDC AT AMBIENT ROOM TEMPERATURE
 - CURRENT RATING : 3 AMP MAX. PER CONTACT
 - b. MECHANICAL:
 - CONTACT ENGAGING FORCE : 2.22 N MAX. PER CONTACT
 - CONTACT SEPARATION FORCE : 0.14 N MIN. PER CONTACT
 - c. ENVIRONMENTAL:
 - OPERATING TEMPERATURE : -55° C TO +125° C
 - VIBRATION CHARACTERISTICS : PER MIL-STD-1344, METHOD 2005, TEST CONDITION IV
- 3 MATERIAL:
 - SHELL : ALUMINUM ALLOY 6061 T6 GRADE.
 - CONTACT : BeCu
 - JACKPOST : STAINLESS STEEL
 - HEX NUT : STAINLESS STEEL
- 4 FINISH:
 - SHELL : ELECTROLESS NICKEL PLATING PER MIL-C-26074
 - CONTACT : GOLD PLATED
 - JACKPOST : PASSIVATED
 - HEX NUT : PASSIVATED

ABOVE SHOWN CONNECTOR IS 2067833-1

CONTACT ARRANGEMENT AS SEEN FROM FACE VIEW OF SOCKET SIDE (DUST CAP NOT SHOWN)

P11	1-2067833-1	MCK-N1-S-100SST1AX
P10	1-2067833-0	MCK-N1-S-100SST1AX
P9	2067833-9	MCK-N1-S-100SST1AX
P8	2067833-8	MCK-N1-S-100SST1AX
P7	2067833-7	MCK-N1-S-100SST1AX
P6	2067833-6	MCK-N1-S-100SST1AX
P5	2067833-5	MCK-N1-S-100SST1AX
P4	2067833-4	MCK-N1-S-100SST1AX
P3	2067833-3	MCK-N1-S-100SST1AX
P2	2067833-2	MCK-N1-S-100SST1AX
P1	2067833-1	MCK-N1-S-100SST1AX

THIS DRAWING IS A CONTROLLED DOCUMENT.

DIMENSIONS:	TOLERANCES UNLESS OTHERWISE SPECIFIED:
mm	
0 PLC	± -
1 PLC	± -
2 PLC	± -
3 PLC	± -
4 PLC	± -
ANGLES	± -
MATERIAL	FINISH

DWN	SUNNY S	03MAY2013
CHK	NIRANJAN H	03MAY2013
APVD	SURESH KUMAR M	03MAY2013
PRODUCT SPEC		
APPLICATION SPEC		
WEIGHT	-	

STE TE Connectivity

NAME: EXTENDED FLANGE METAL SHELL-100 POSITION SOCKET STRAIGHT TERMINATION

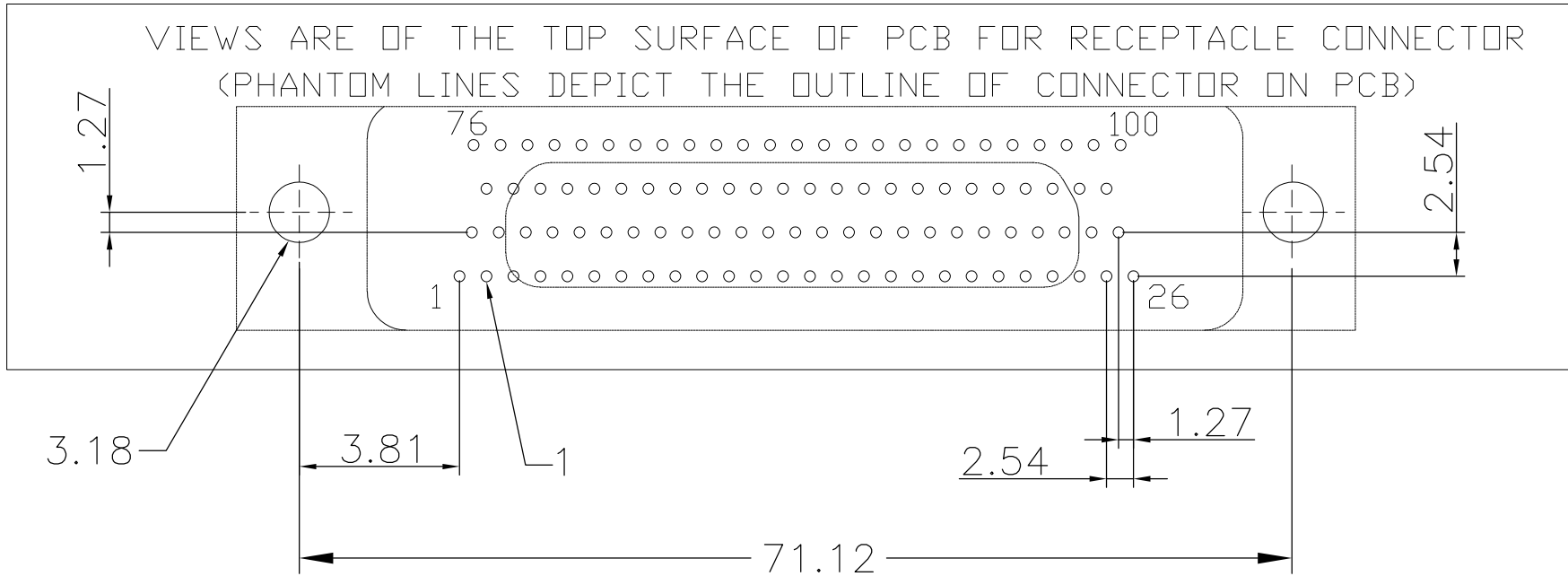
SIZE	CAGE CODE	DRAWING NO	RESTRICTED TO
A3	SDX74	C-2067833	-


CONNECTOR IDENTIFICATION	TEPN	DESCRIPTION
1		

CUSTOMER DRAWING	SCALE	SHEET	REV
	NTS	1 OF 2	B

THIS DRAWING IS UNPUBLISHED. RELEASED FOR PUBLICATION
 © COPYRIGHT - By - ALL RIGHTS RESERVED.

LOC	DIST	REVISIONS			
P	LTR	DESCRIPTION	DATE	DWN	APVD
-	-	SEE SHEET 1	-	-	-



THIS DRAWING IS A CONTROLLED DOCUMENT.		DWN SUNNY S 03MAY2013	 TE Connectivity		
DIMENSIONS: mm		CHK NIRANJAN H 03MAY2013			
TOLERANCES UNLESS OTHERWISE SPECIFIED:		APVD SURESH KUMAR M 03MAY2013	NAME EXTENDED FLANGE METAL SHELL-100 POSITION SOCKET STRAIGHT TERMINATION		
0 PLC ± - 1 PLC ± - 2 PLC ± - 3 PLC ± - 4 PLC ± - ANGLES ± -		PRODUCT SPEC -	APPLICATION SPEC -		
MATERIAL -		FINISH -	WEIGHT -	SIZE A3SDX74	CAGE CODE C-2067833
CUSTOMER DRAWING			SCALE NTS	SHEET 2 OF 2	RESTRICTED TO -