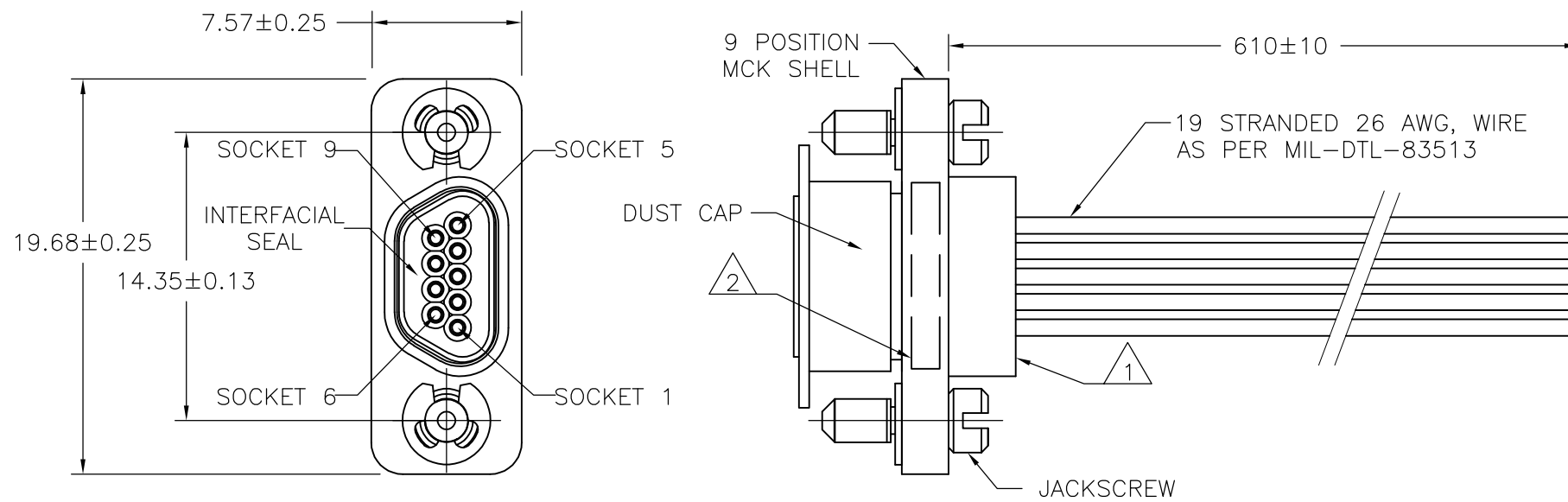


THIS DRAWING IS UNPUBLISHED. RELEASED FOR PUBLICATION
 © COPYRIGHT - By - ALL RIGHTS RESERVED.

LOC	DIST	REVISIONS			
P	LTR	DESCRIPTION	DATE	DWN	APVD
	A	NEW DRAWN	01DEC2011	SS	SK



CONTACT ARRANGEMENT AS SEEN FROM
 FACE VIEW OF SOCKET SIDE
 (DUST CAP NOT SHOWN)

WIRING CHART

SOCKET NO	WIRE COLOR CODE
1	BLACK
2	BROWN
3	RED
4	ORANGE
5	YELLOW
6	GREEN
7	BLUE
8	VIOLET
9	GREY

- 1 MAXIMUM POTTING DONE UP TO HEIGHT OF THE SHELL PLUS 0.5mm
- 2 TE PN AND DATE CODE (YYWW) ARE PRINTED ON THE CONNECTOR SHELL.
- 3 SPECIFICATION:
 - a. ELECTRICAL:
 - CONTACT RESISTANCE : 25 MILLIVOLTS MAX. AT 3 AMPS
 - INSULATION RESISTANCE : 5000 MEGAOHMS MIN. @ 500 VDC AT AMBIENT ROOM TEMPERATURE
 - CURRENT RATING : 3 AMP MAX. PER CONTACT
 - b. MECHANICAL:
 - CONTACT ENGAGING FORCE : 2.22 N MAX. PER CONTACT
 - CONTACT SEPARATION FORCE : 0.14 N MIN. PER CONTACT
 - c. ENVIRONMENTAL:
 - OPERATING TEMPERATURE : -55° C TO +125° C
 - VIBRATION CHARACTERISTICS : PER MIL-STD-1344, METHOD 2005, TEST CONDITION IV
- 4 MATERIAL:
 - SHELL : ALUMINUM ALLOY 6061 T6 GRADE.
 - CONTACT : BeCu
 - JACKSCREW : STAINLESS STEEL
 - RETAINING RING : STAINLESS STEEL
- 5 FINISH:
 - SHELL : ELECTROLESS NICKEL PLATING
 - CONTACT : GOLD PLATE PER MIL-G-45205
 - JACKSCREW : PASSIVATED
 - RETAINING RING : PASSIVATED

2067694-1	MCK-N1-LM-9S6G9-24.0
TE PN	DESCRIPTION

THIS DRAWING IS A CONTROLLED DOCUMENT.		DWN	SUNNY S	01DEC2011	STE TE Connectivity											
DIMENSIONS: mm [INCHES]		CHK	NIRANJAN H	01DEC2011												
TOLERANCES UNLESS OTHERWISE SPECIFIED:		APVD	SURESH KUMAR M	01DEC2011												
<table border="0"> <tr><td>0 PLC</td><td>± -</td></tr> <tr><td>1 PLC</td><td>± -</td></tr> <tr><td>2 PLC</td><td>± -</td></tr> <tr><td>3 PLC</td><td>± -</td></tr> <tr><td>4 PLC</td><td>± -</td></tr> <tr><td>ANGLES</td><td>± -</td></tr> </table>		0 PLC	± -	1 PLC		± -	2 PLC	± -	3 PLC	± -	4 PLC	± -	ANGLES	± -	NAME	MCK, 9 POSITION, FLYING LEAD ASSEMBLY
0 PLC	± -															
1 PLC	± -															
2 PLC	± -															
3 PLC	± -															
4 PLC	± -															
ANGLES	± -															
MATERIAL	FINISH	PRODUCT SPEC	SIZE		CAGE CODE	DRAWING NO	RESTRICTED TO									
4	5	—	A3		SDX74	C-2067694	—									
CUSTOMER DRAWING			WEIGHT	SCALE		SHEET	REV									
			—	NTS		1 OF 1	A									