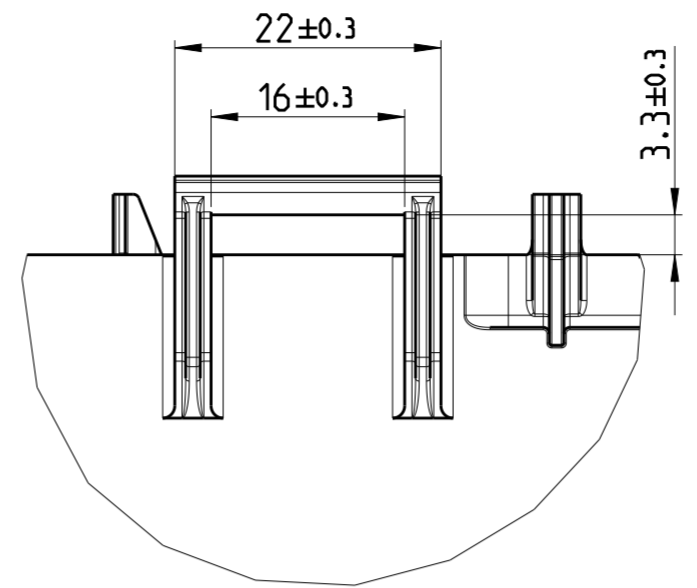
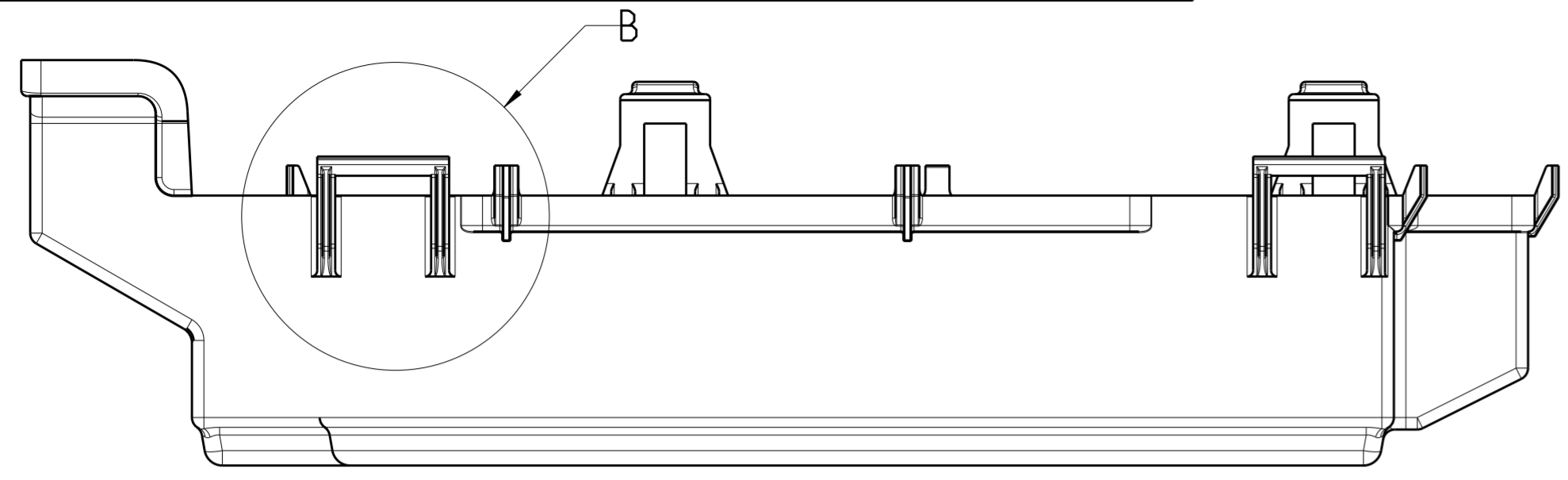
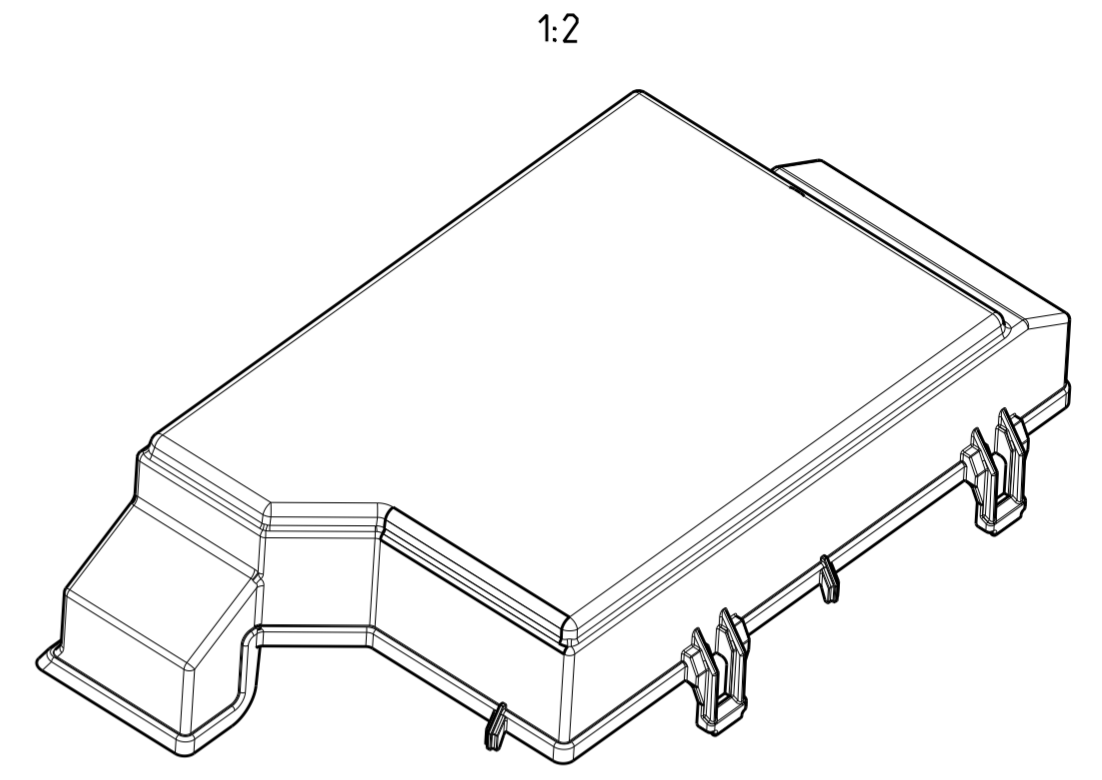


THIS DRAWING IS UNPUBLISHED. RELEASED FOR PUBLICATION 2014
 © COPYRIGHT 2014 BY - ALL RIGHTS RESERVED.

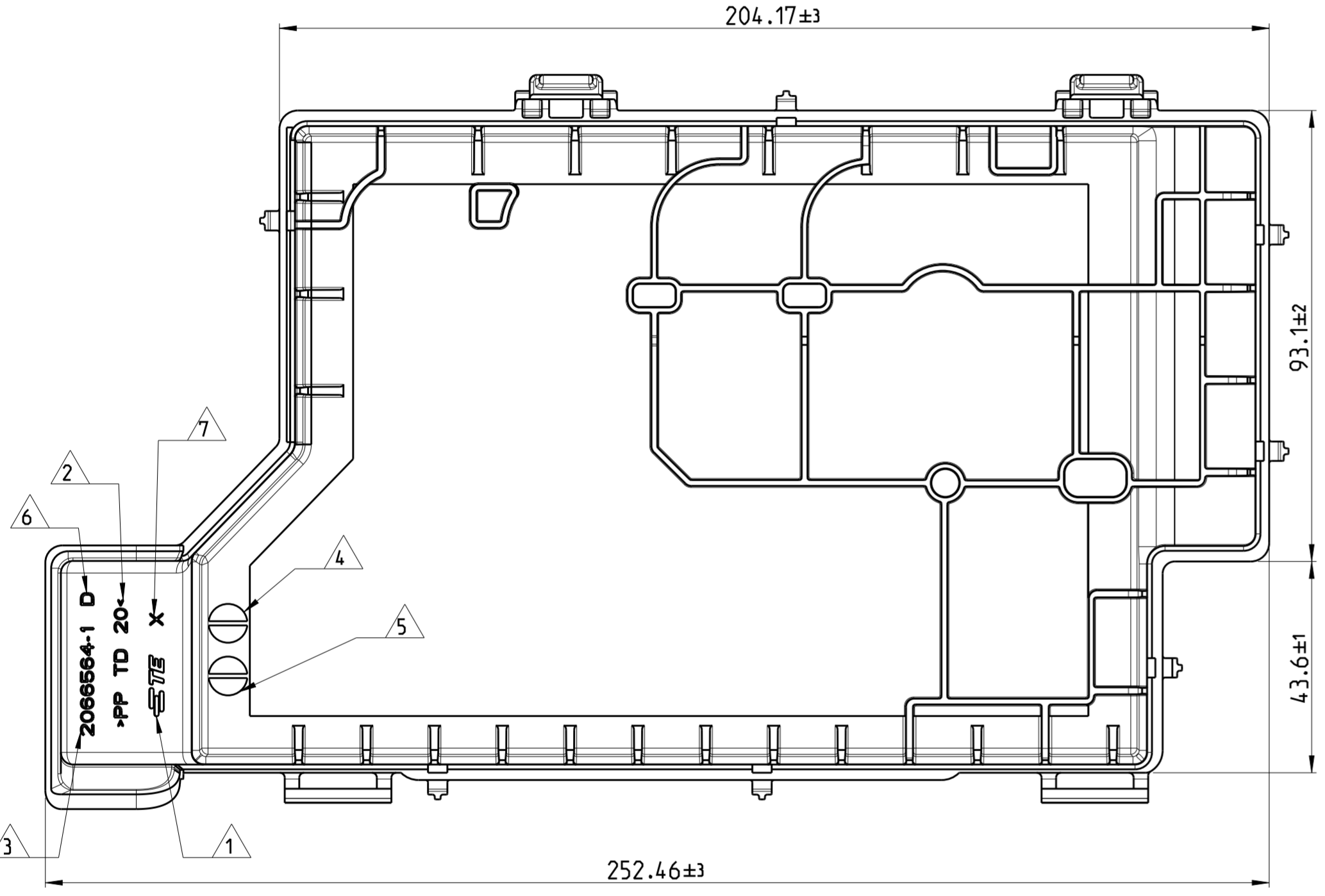
REVISIONS				
P	LTR	DESCRIPTION	DATE	APVD
B		ECR-13-019394	27MAY2014	GG RK
C		ECR-14-019208	28OCT2014	KG RK
D		VIEW UPDATED FOR RIB ADDITION	04DEC2017	SK RK



DETAIL B
(2x)

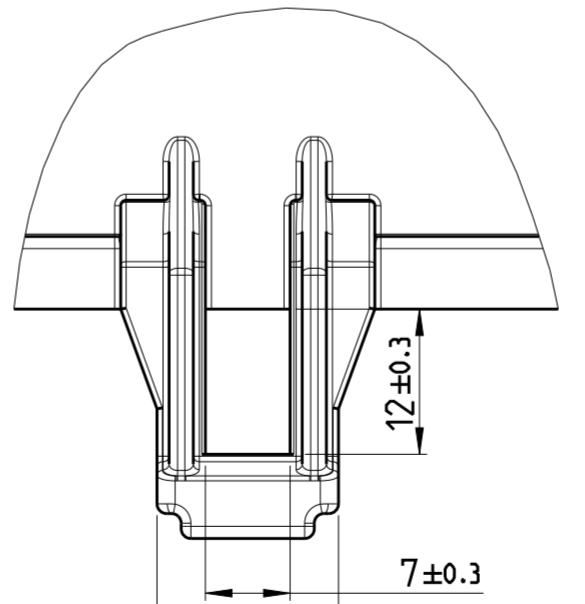
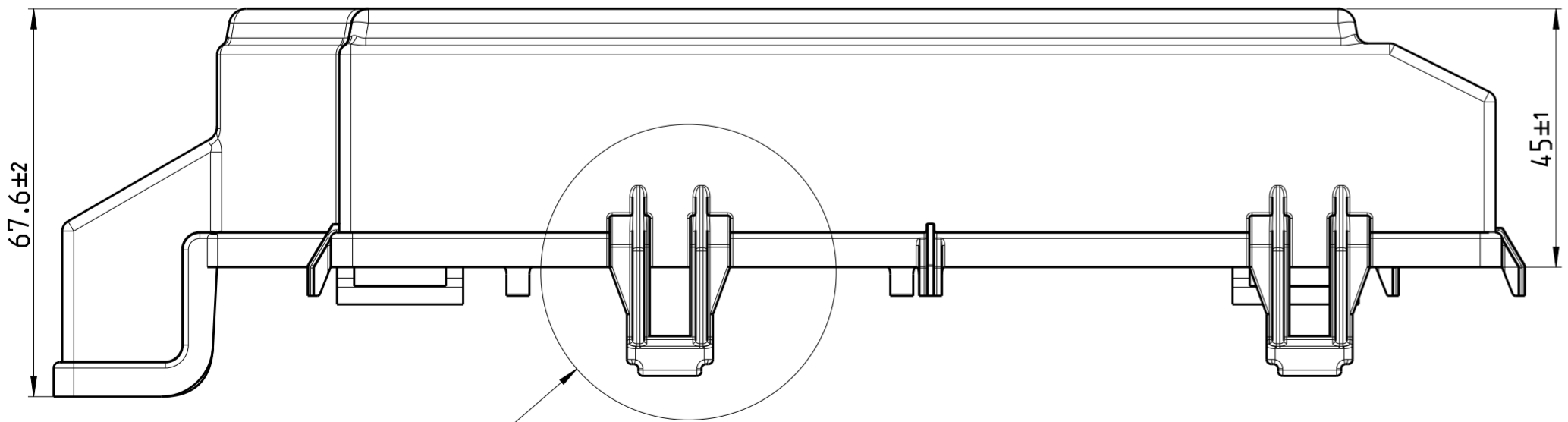


1:2



NOTES :-

- 1 TE LOGO
- 2 MATERIAL IDENTIFICATION.
- 3 TE PART NO.
- 4 PRODUCTION MONTH CODE.
- 5 PRODUCTION YEAR CODE.
- 6 PART REVISION.
- 7 TOOL CAVITY MARKING.
- 8. 15% MAX PERMITTED REGARDING MATERIAL PROCESSED IN CLOSED LOOP.



DETAIL A
(2x)

2066564-1	D	TOP COVER, W 105.ENGINE COMPT FRB	PP TD 20%	BLACK	1
PART NO	REV	DESCRIPTION	MATERIAL	COLOUR	ITEM NO

THIS DRAWING IS A CONTROLLED DOCUMENT.		DWN GEEITA G 22APR2014	TE Connectivity		
DIMENSIONS: mm		CHK RAJESH K 22APR2014			
TOLERANCES UNLESS OTHERWISE SPECIFIED:		APVD RAMESH K 22APR2014	NAME TOP COVER W 105. ENGINE COMPT FRB		
0 PLC	±	PRODUCT SPEC	SIZE	CAGE CODE	DRAWING NO
1 PLC	±0.5	APPLICATION SPEC	A2	-	C-2066564
2 PLC	±0.5	WEIGHT	RESTRICTED TO		
3 PLC	±0.5	Customer Drawing	SCALE 1:1 SHEET 1 OF 1 REV D		
4 PLC	±				
ANGLES	±2				
FINISH	-				
MATERIAL	AS PER TABLE				