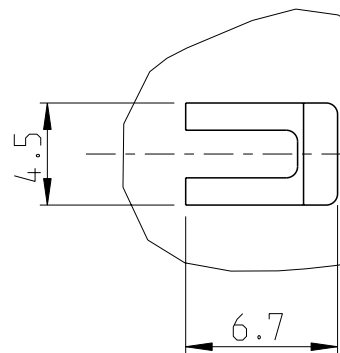
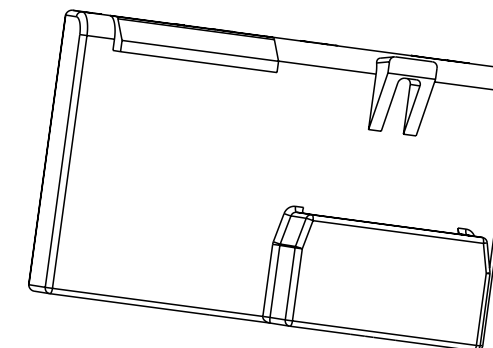
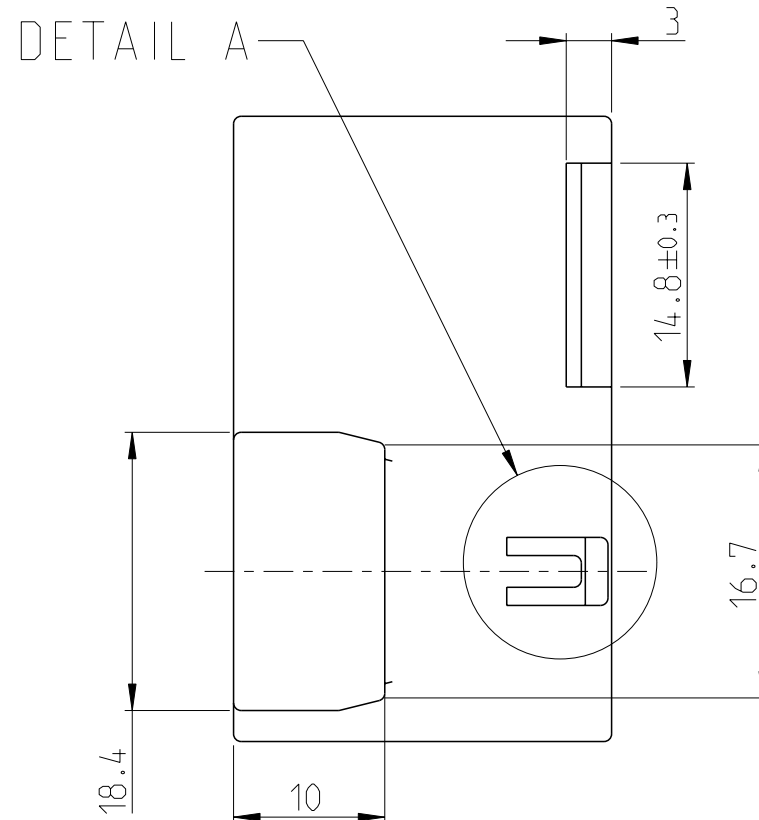
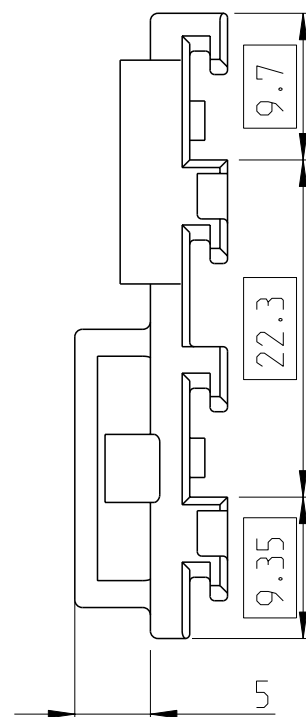
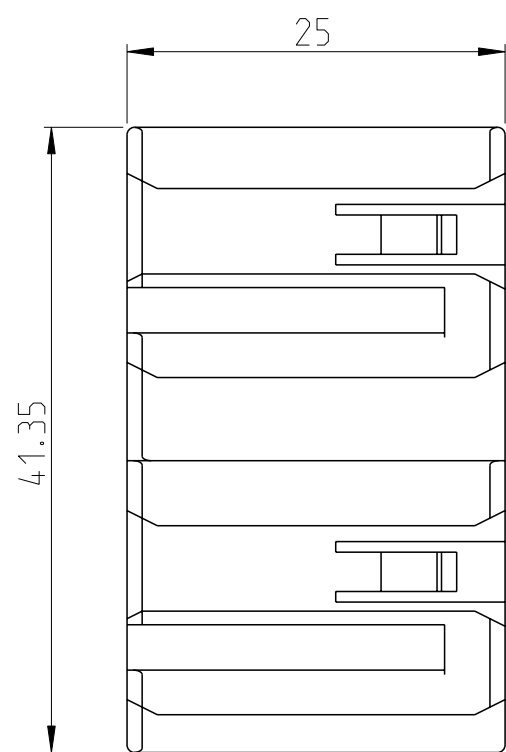


REVISIONS

P	LTR	DESCRIPTION	DATE	DWN	APVD
	A	NEW RELEASE	20NOV2013	GG	RK

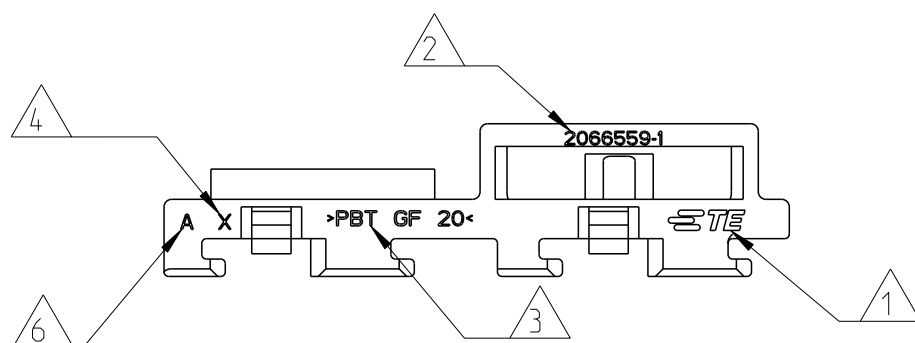


DETAIL A  
3:1



NOTES:-

- 1 TE CONNECTIVITY LOGO.
- 2 TE PART NUMBER
- 3 MATERIAL MARKING.
- 4 MOLD CAVITY MARKING
- 5 15% MAX PERMITTED REGRIND MATERIAL PROCESSED IN CLOSED LOOP
- 6 TE PART REVISION



2066559-1	A	REAR LOCK, ENGINE COMPT FRB	PBT-GF20 5	BLACK	1
PART NUMBER	TE REV	DESCRIPTION	MATERIAL	COLOUR	ITEM

THIS DRAWING IS A CONTROLLED DOCUMENT.		DWN GEETA G 20NOV2013												
DIMENSIONS: mm		CHK KUNAL G 20NOV2013												
TOLERANCES UNLESS OTHERWISE SPECIFIED:		APVD RAMESH KUMAR 20NOV2013												
<table border="1"> <tr><td>0 PLC</td><td>±0.5</td></tr> <tr><td>1 PLC</td><td>±0.5</td></tr> <tr><td>2 PLC</td><td>±0.5</td></tr> <tr><td>3 PLC</td><td>±</td></tr> <tr><td>4 PLC</td><td>±</td></tr> <tr><td>ANGLES</td><td>±2°</td></tr> </table>		0 PLC				±0.5	1 PLC	±0.5	2 PLC	±0.5	3 PLC	±	4 PLC	±
0 PLC	±0.5													
1 PLC	±0.5													
2 PLC	±0.5													
3 PLC	±													
4 PLC	±													
ANGLES	±2°													
MATERIAL SEE TABLE	FINISH -	APPLIC. SPEC -	NAME REAR LOCK, ENGINE COMPT FRB	SIZE A3	CAGE CODE -									
-		WEIGHT 5.6 Gms	DRAWING NO C-2066559	RESTRICTED TO -										
Customer Drawing			SCALE 2:1	SHEET 1 OF 1	REV A									