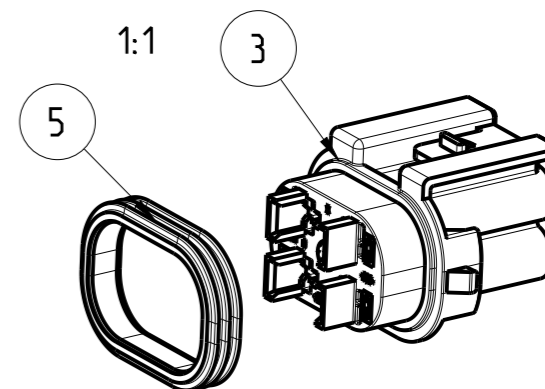
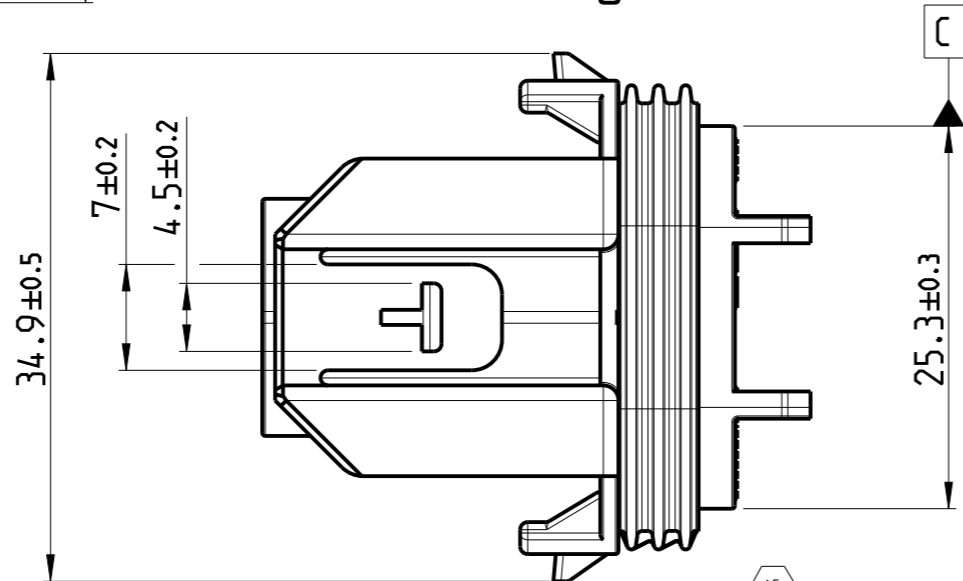
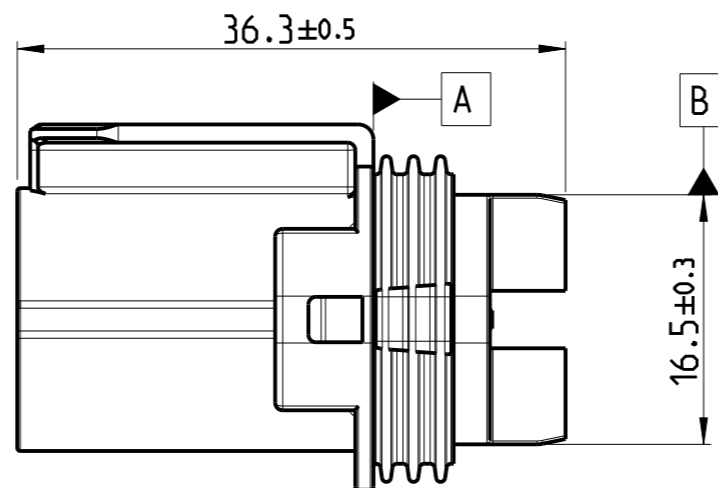
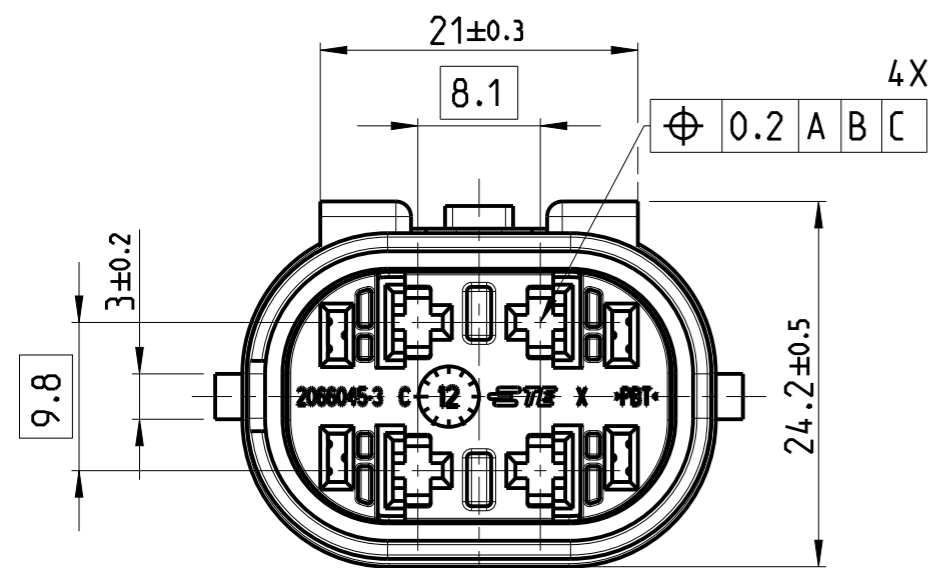


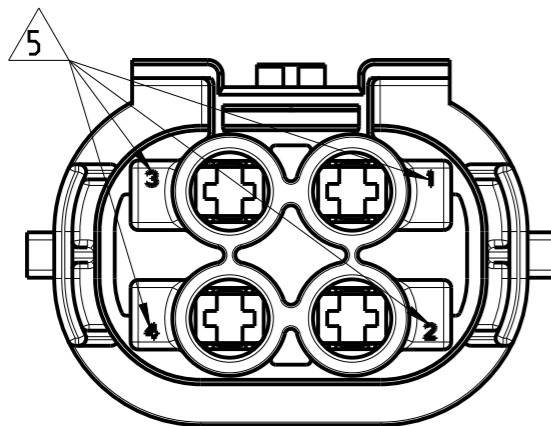
LOC	DIST	REVISIONS					
IT	-	P	LTR	DESCRIPTION	DATE	DWN	APVD
			A2	ECR-17-001057	24 JAN2017	CS	DH
			A3	ECR-19-014924	24 SEP2019	STK	DH
			A4	ECO-20-016025/ ECO-20-016231	09 NOV2020	STK	VVB
			A5	PCN: E-21-003499	24 MAR2021	AP	DH



- NOTES :-
1. NO SCORES. DUST ON SEAL RING ARE PERMISSIBLE
 2. REFER CONTACT PN: 968882, 968855, 968857.
 3. REFER WIRE SEAL PN: 828904, 828905.
 4. MATING COVER PN : 1-2066502-1, -2, -3, -4.
 5. CAVITY MARKING : 1, 2, 3 & 4.
 6. REFER APPLICATION SPEC FOR STANDARD CLIP OFFERINGS.

A5 2066046-3 AS SHOWN

ACTIVE				SUPERSEDED BY 2066046-4		SUPERSEDED BY 2066046-3		← PART STATUS				
								← ASSEMBLY PART NUMBERS				
-4	-3	-2	-1					D	1544767-1	2-WAY 8mm NGI INTERFACIAL SEAL	SILICON	5
1	1	1	1					C	2066045-4	2POS MINIFUSE BOX HOUSING	PBT	4
1	-	-	-					C	2066045-3	2POS MINIFUSE BOX HOUSING	PBT	3
-	1	-	-					B	2066045-2	2POS MINIFUSE BOX HOUSING	PBT	2
-	-	1	-					B	2066045-1	2POS MINIFUSE BOX HOUSING	PBT	1
-	-	-	1									
QTY								REV	PART NO.	DESCRIPTION	MATERIAL	ITEM



THIS DRAWING IS A CONTROLLED DOCUMENT.

DWN RAMESH, S 14 AUG 2012
 CHK VINAY, S 14 AUG 2012
 APVD MADHU, J 14 AUG 2012

DIMENSIONS: mm

TOLERANCES UNLESS OTHERWISE SPECIFIED: DIN 16901-140

0 PLC
 1 PLC
 2 PLC
 3 PLC
 4 PLC
 ANGLES ±1°

MATERIAL SEE TABLE FINISH -

PRODUCT SPEC 108-72108
 APPLICATION SPEC 114-72110
 WEIGHT -

TE TE Connectivity

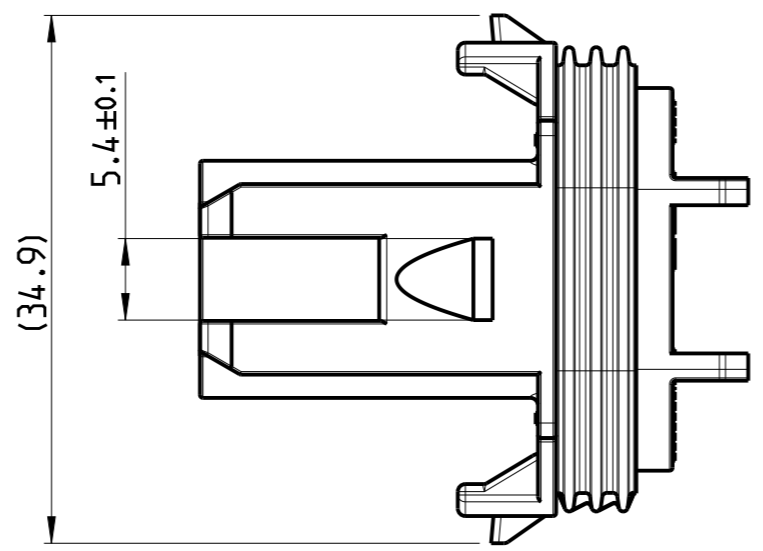
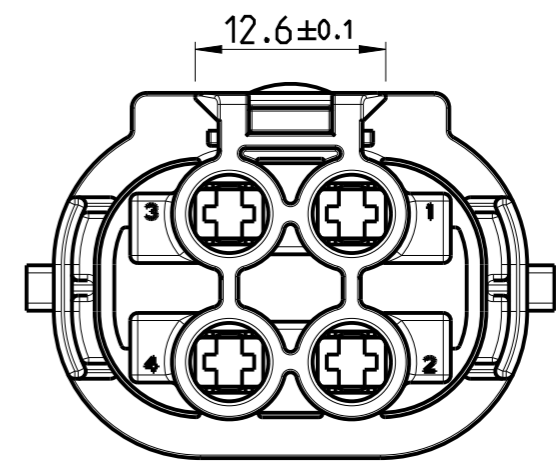
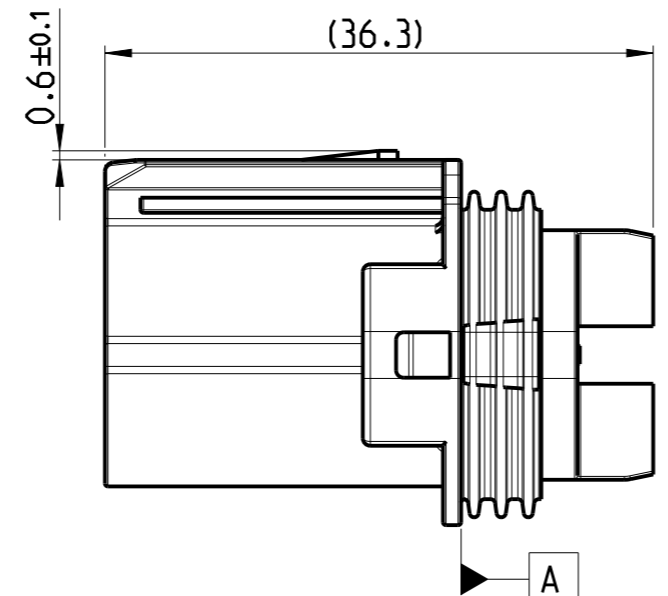
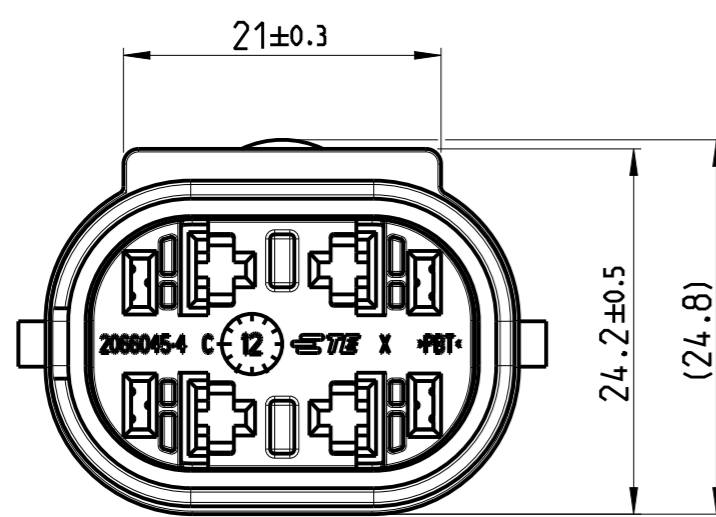
NAME 2 POS SEALED MINIFUSE BOX HOUSING ASSY

SIZE A3 CAGE CODE 00779 DRAWING NO C-2066046 RESTRICTED TO

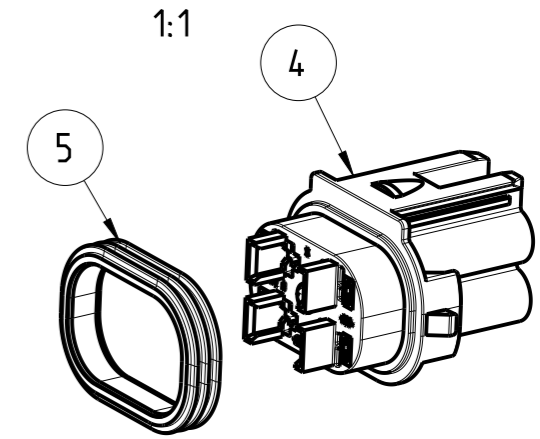
CUSTOMER DRAWING SCALE 2:1 SHEET 1 OF 3 REV A5

THIS DRAWING IS UNPUBLISHED
 RELEASED FOR PUBLICATION 2012
 © COPYRIGHT 2012 TE Connectivity India Ltd. ALL RIGHTS RESERVED.

LOC	DIST	REVISIONS					
IT	-	P	LTR	DESCRIPTION	DATE	DWN	APVD
		-		SEE SHEET 1	-	-	-



A5 2066046-4 AS SHOWN



THIS DRAWING IS A CONTROLLED DOCUMENT.		DWN RAMESH, S 14 AUG 2012	TE Connectivity	
DIMENSIONS: mm		CHK VINAY, S 14 AUG 2012		
TOLERANCES UNLESS OTHERWISE SPECIFIED: DIN 16901-140		APVD MADHU, J 14 AUG 2012	NAME 2 POS SEALED MINIFUSE BOX HOUSING ASSY	
		PRODUCT SPEC 108-72108	SIZE A3 CAGE CODE 00779 DRAWING NO C-2066046 RESTRICTED TO	
MATERIAL SEE TABLE		APPLICATION SPEC 114-72110	SCALE 5:1 SHEET 2 OF 3 REV A5	
FINISH -		WEIGHT -	CUSTOMER DRAWING	

THIS DRAWING IS UNPUBLISHED.

RELEASED FOR PUBLICATION

2012

© COPYRIGHT 2012

TE Connectivity India Ltd.

ALL RIGHTS RESERVED.

LOC IT DIST -

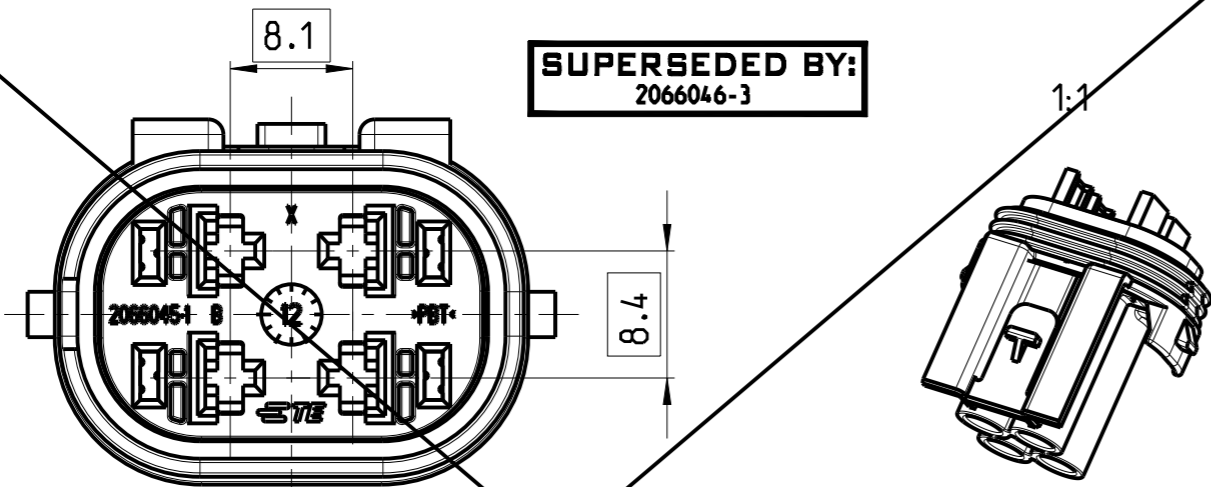
REVISIONS

P	LTR	DESCRIPTION	DATE	DWN	APVD
-	-	SEE SHEET 1	-	-	-

2066046-1

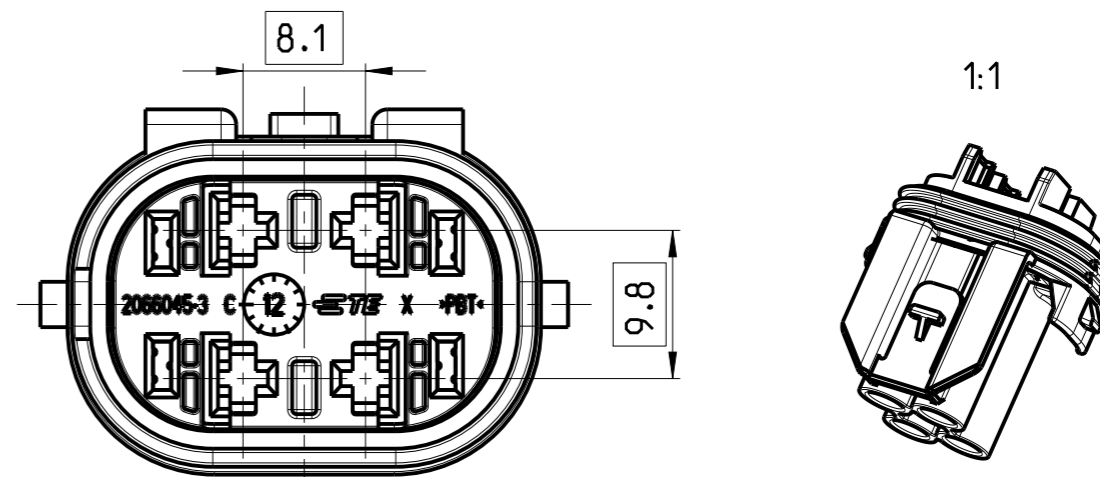
A4

SUPERSEDED BY:
2066046-3



2066046-3

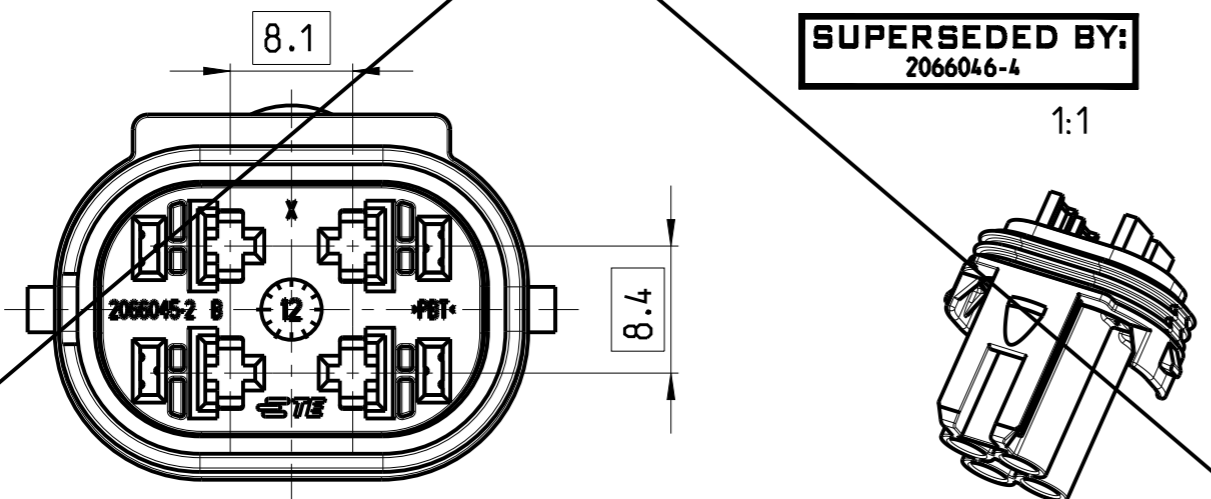
A3



2066046-2

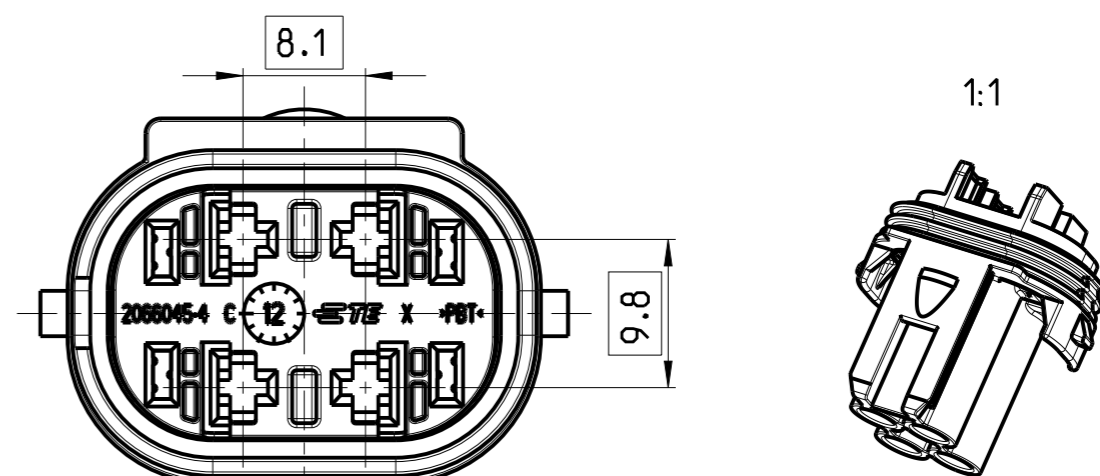
A4

SUPERSEDED BY:
2066046-4



2066046-4

A3



THIS DRAWING IS A CONTROLLED DOCUMENT.

DIMENSIONS:	TOLERANCES UNLESS OTHERWISE SPECIFIED:
mm	
	0 PLC ±
	1 PLC ±
	2 PLC ±
	3 PLC ±
	4 PLC ±
	ANGLES ±°
MATERIAL	FINISH
SEE TABLE	-

DWN	RAMESH, S	14 AUG 2012
CHK	VINAY, S	14 AUG 2012
APVD	MADHU, J	14 AUG 2012
PRODUCT SPEC	108-72108	
APPLICATION SPEC	114-72110	
WEIGHT	-	

TE TE Connectivity

NAME
2 POS SEALED MINIFUSE BOX HOUSING ASSY

SIZE	CAGE CODE	DRAWING NO	RESTRICTED TO
A3	00779	C-2066046	

CUSTOMER DRAWING SCALE 2:1 SHEET 3 OF 3 REV A5