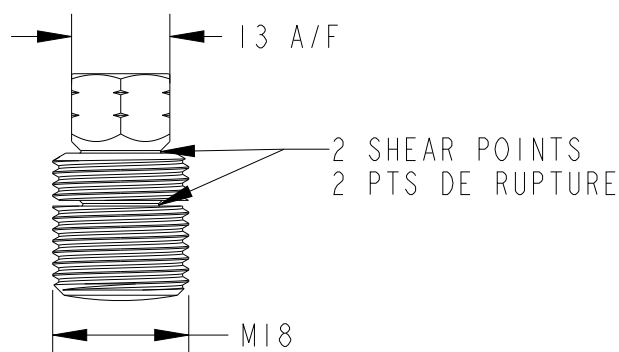
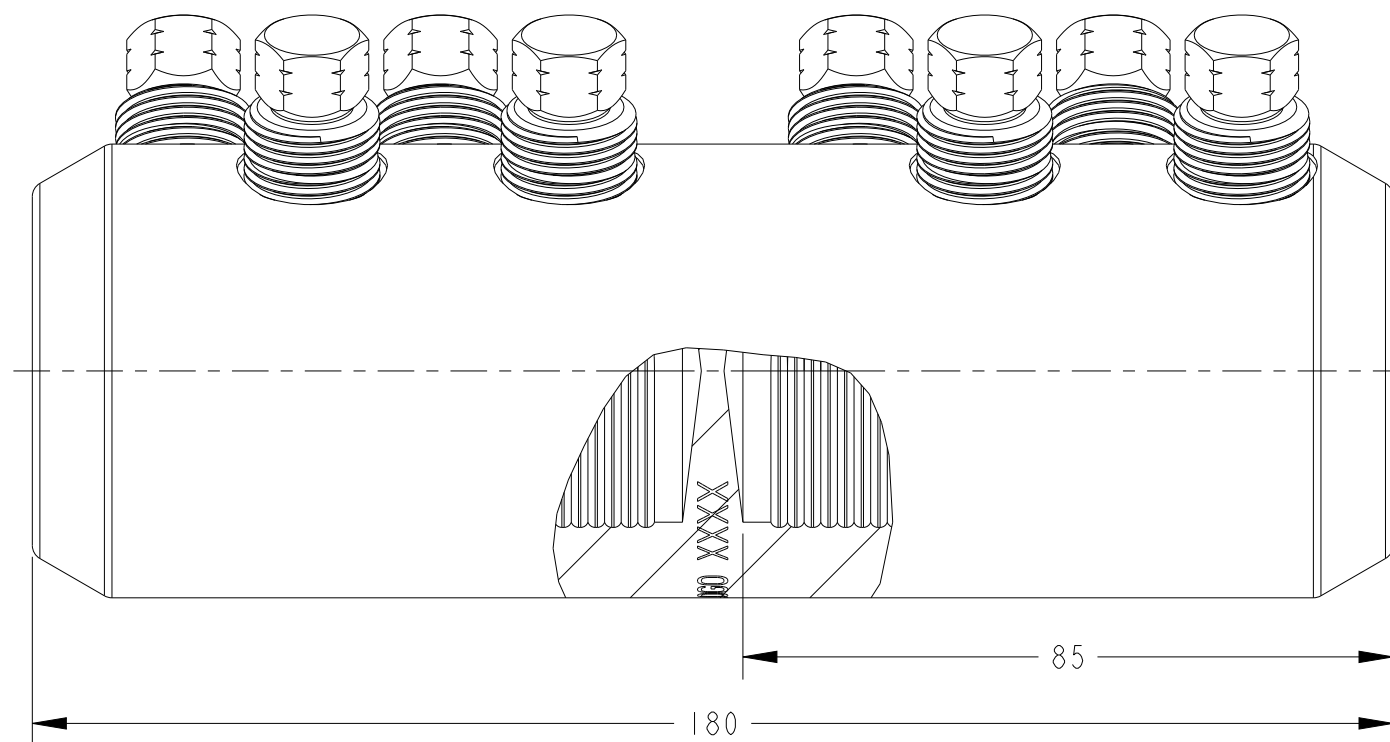
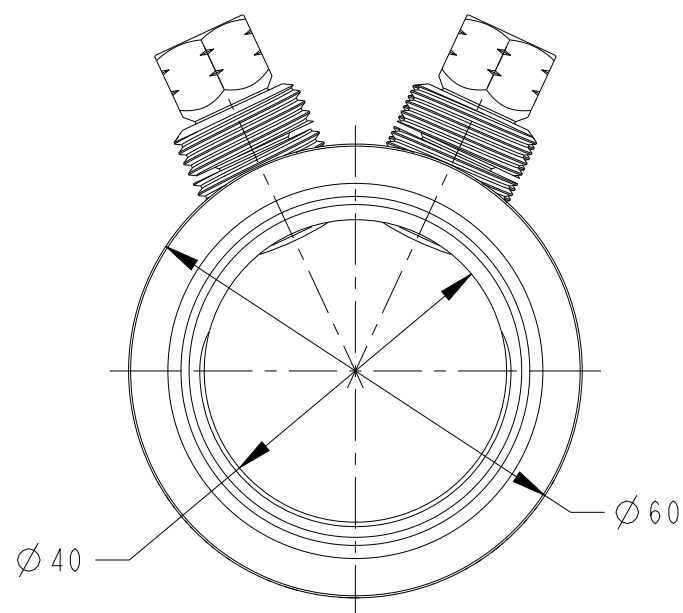
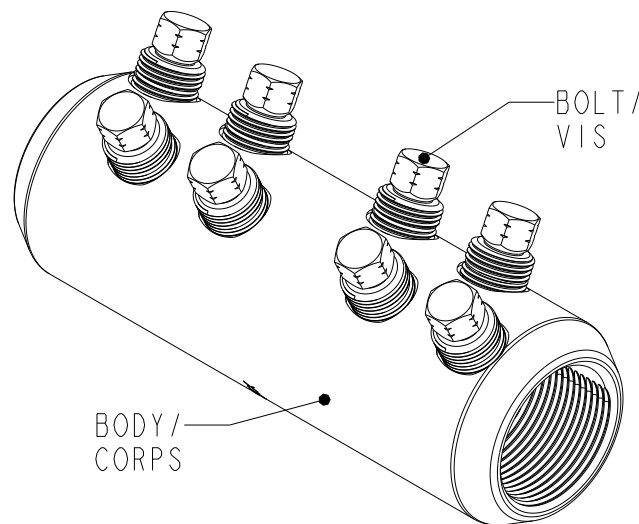


BSMB-1000	2062792-1	-
DESCRIPTION	PART NUMBER	RPN

P	LTR REV	DESCRIPTION MODIFICATIONS	DATE	DWN DESS.	APVD APP.
	C	ECR-21-005110	05MAY2021	JB	BM



	AL				CU	
	ROUND STRANDED /Rond câblé /RM	ROUND SOLID /Rond solide /RE	SECTOR STRANDED /Sectoral câblé /SM	SECTOR SOLID /Sectoral câblé /SE	ROUND STRANDED /Rond câblé /RM	SECTOR STRANDED /Sectoral câblé /SM
CONDUCTOR CROSS-SECTION /Section conducteur /Querschnittsbereich mm ²	800-1000	800-1000			800-1000	
CONDUCTOR DIAMETER /Diamètre conducteur /Leiterdurchmesser mm	Ø 32.5-Ø 39.5	Ø 30.9-Ø 36			Ø 32.5-Ø 39.5	



SCALE/ECHELLE 1:2

TOLERANCES UNLESS OTHERWISE SPECIFIED: -
TOLERANCES NON SPECIFIEES: -

THIS DRAWING IS A CONTROLLED DOCUMENT. CE PLAN EST UN DOCUMENT CONTROLE PAR TYCO ELECTRONICS CORPORATION. IL EST SUSCEPTIBLE D'ETRE REVISE. POUR OBTENIR LA DERNIERE REVISION, CONTACTER LE SERVICE TECHNIQUE DE TYCO ELECTRONICS SIMEL SAS, 21220 GEVREY-CHAMBERTIN, FRANCE.		DWN/DESSINE B. MILLOT 19SEP2008				
DIMENSIONS: mm		CHK/VERIFIE G. THOREL				
TOLERANCES UNLESS OTHERWISE SPECIFIED: (SUIV NB DE DECIMALES): 0 PLC/DEC: ±0 1 PLC/DEC: ±0 2 PLC/DEC: ±0 3 PLC/DEC: ±0 4 PLC/DEC: ±0 ANGLES ±		APVD/APPROUVE N. ALMEIDA	NAME TITRE BSMB-1000			
MATERIAL AL ALLOY		PRODUCT SPEC SPEC. PRODUIT IEC 61238	SIZE FORMAT A3	CAGE CODE -	DRAWING NO No PLAN C=2062792	RESTRICTED TO RESERVE A -
FINISH FINITION TINNED		WEIGHT MASSE APPROX. 800	UNIQUEMENT POUR REFERENCE	SCALE ECHELLE 1:1	SHEET FEUILLE OF DE	REV C
		CUSTOMER DRAWING	/PLAN CLIENT			