

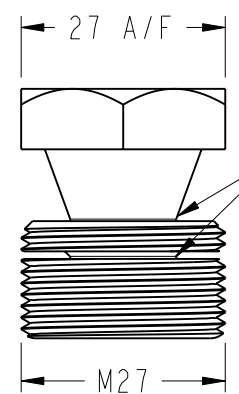
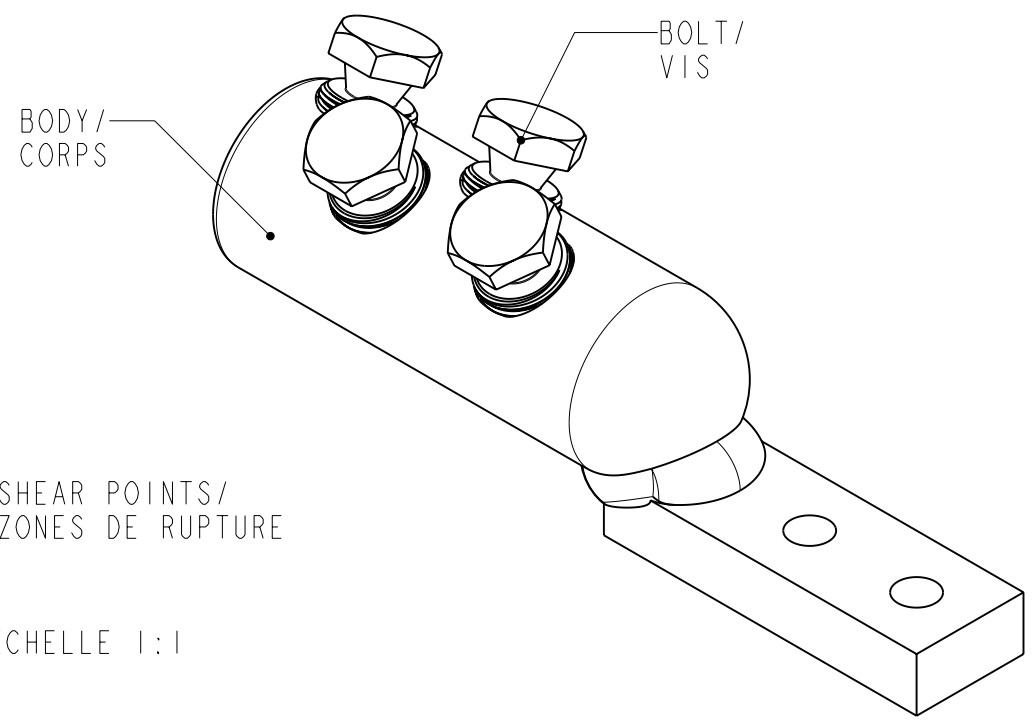
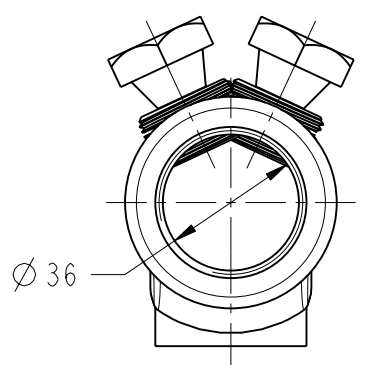
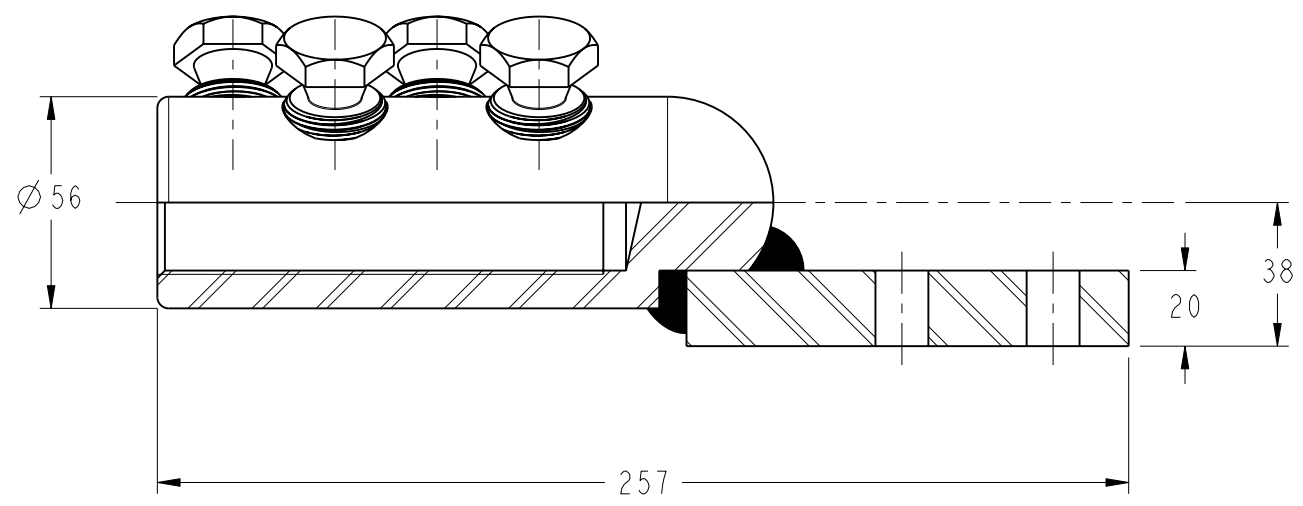
THIS DRAWING IS UNPUBLISHED.
 DIFFUSION RESTREINTE

RELEASÉ FOR PUBLICATION
 LIBRE A LA DIFFUSION

© COPYRIGHT 20 BY TYCO ELECTRONICS CORPORATION. ALL RIGHTS RESERVED.
 TOUS DROITS RESERVES

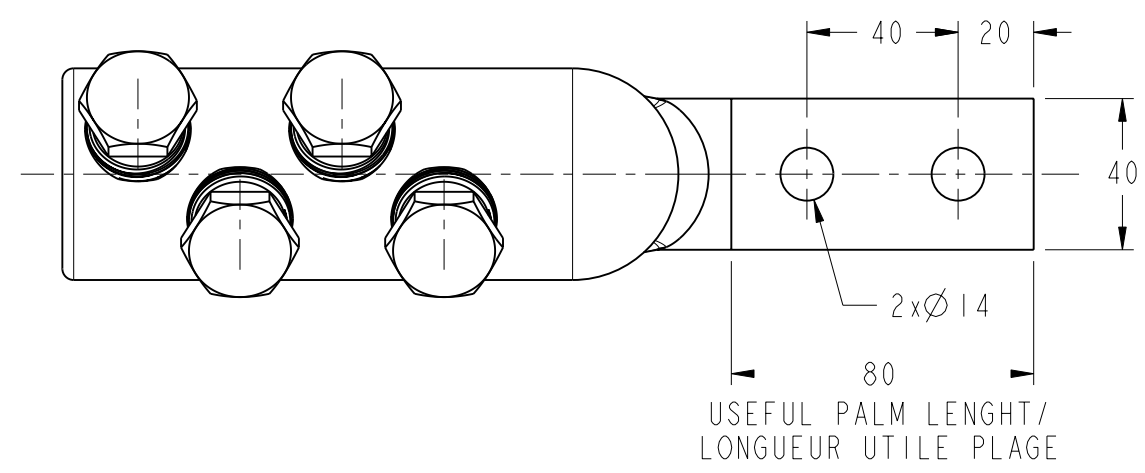
LOC	DIST	REVISIONS				
P	LTR REV	DESCRIPTION MODIFICATIONS	DATE	DWN DESS.	APVD APP.	
FH	00	A	CREATION	18DEC2008	LP AG	
		B	ECR-10-015264	22JUL2010	LP AG	

BLMT 800 80x40 2D14x40	2062424-1
DESCRIPTION	PART NUMBER

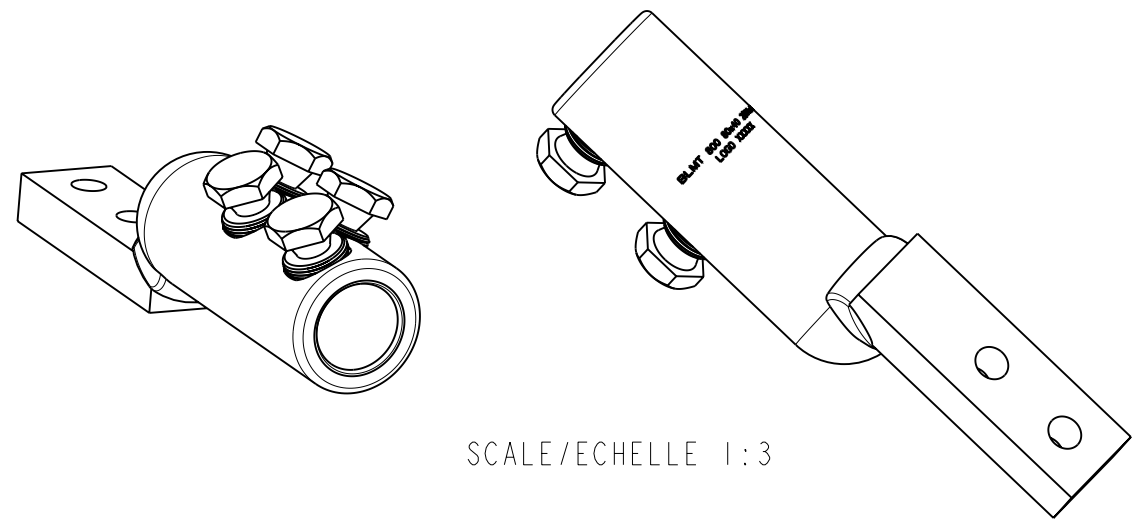


2 SHEAR POINTS /
2 ZONES DE RUPTURE

SCALE/ECHELLE 1:1



	AL				CU	
	ROUND STRANDED /Rond câblé /RM	ROUND SOLID /Rond solide /RE	SECTOR STRANDED /Sectoral câblé /SM	SECTOR SOLID /Sectoral câblé /SE	ROUND STRANDED /Rond câblé /RM	SECTOR STRANDED /Sectoral câblé /SM
CONDUCTOR CROSS-SECTION /Section conducteur /Querschnittsbereich mm ²	800	800				
CONDUCTOR DIAMETER /Diamètre conducteur /Leiterdurchmesser mm	Ø 32.5 - Ø 35.3	Ø 30.9 - Ø 32.1				



TOLERANCES UNLESS OTHERWISE SPECIFIED:
TOLERANCES NON SPECIFIEES: -

THIS DRAWING IS A CONTROLLED DOCUMENT FOR TYCO ELECTRONICS CORPORATION IT IS SUBJECT TO CHANGE AND THE CONTROLLING ENGINEERING ORGANIZATION SHOULD BE CONTACTED FOR THE LATEST REVISION. CE PLAN EST UN DOCUMENT CONTROLÉ PAR TYCO ELECTRONICS CORPORATION IL EST SUSCEPTIBLE D'ÊTRE REVISÉ. POUR OBTENIR LA DERNIÈRE REVISION, CONTACTER LE SERVICE TECHNIQUE DE TYCO ELECTRONICS SIMEL SAS, 21220 GEVREY-CHAMBERTIN, FRANCE.		DWN/DESSINE 14MAR2008 F. MOIROUD CHK/VERIFIE L. MAINIER APVD/APPROUVE G. PORCHERAY PRODUCT SPEC - SPEC. PRODUIT - APPLICATION SPEC IEC 61238 SPEC. APPLICATION -	SIMEL PRODUCTS
DIMENSIONS: mm 	TOLERANCES UNLESS OTHERWISE SPECIFIED: TOLERANCES NON SPECIFIEES (SUIV. NO. DE DECIMALES): 0 PLC/DEC: ± 0 1 PLC/DEC: ± 0 2 PLC/DEC: ± 0 3 PLC/DEC: ± 0 4 PLC/DEC: ± 0 ANGLES ± -	NAME/TITRE: BLMT 800 80x40 2D14x40 SIZE FORMAT: A3 CAGE CODE: - DRAWING NO No PLAN: C-2062424 RESTRICTED TO RESERVE A: -	
MATERIA MATIERE: AL ALLOY FINISH FINITION: TINNED	WEIGHT MASSE APPROX.: 1021 g	CUSTOMER DRAWING /PLAN CLIENT UNIQUEMENT POUR REFERENCE	SCALE ECHELLE 1:2 SHEET FEUILLE 1 OF DE 1 REV B