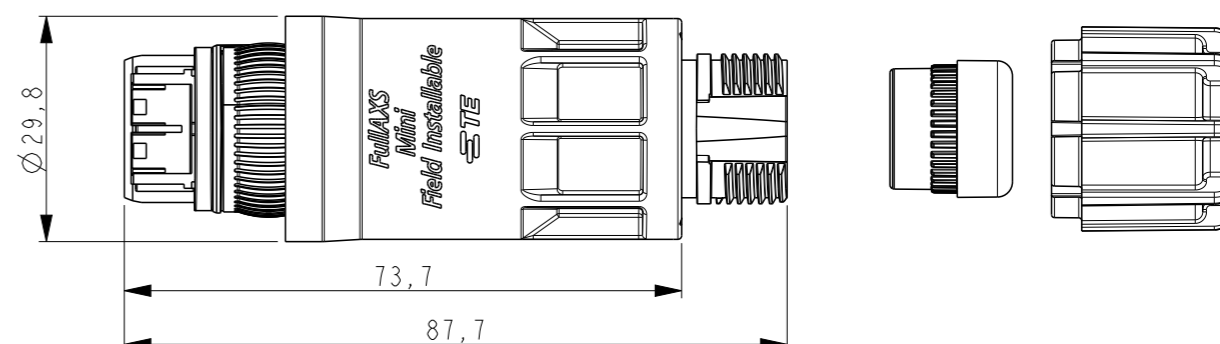
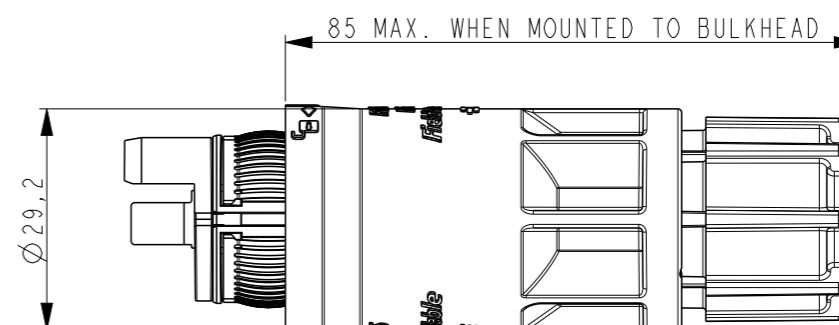
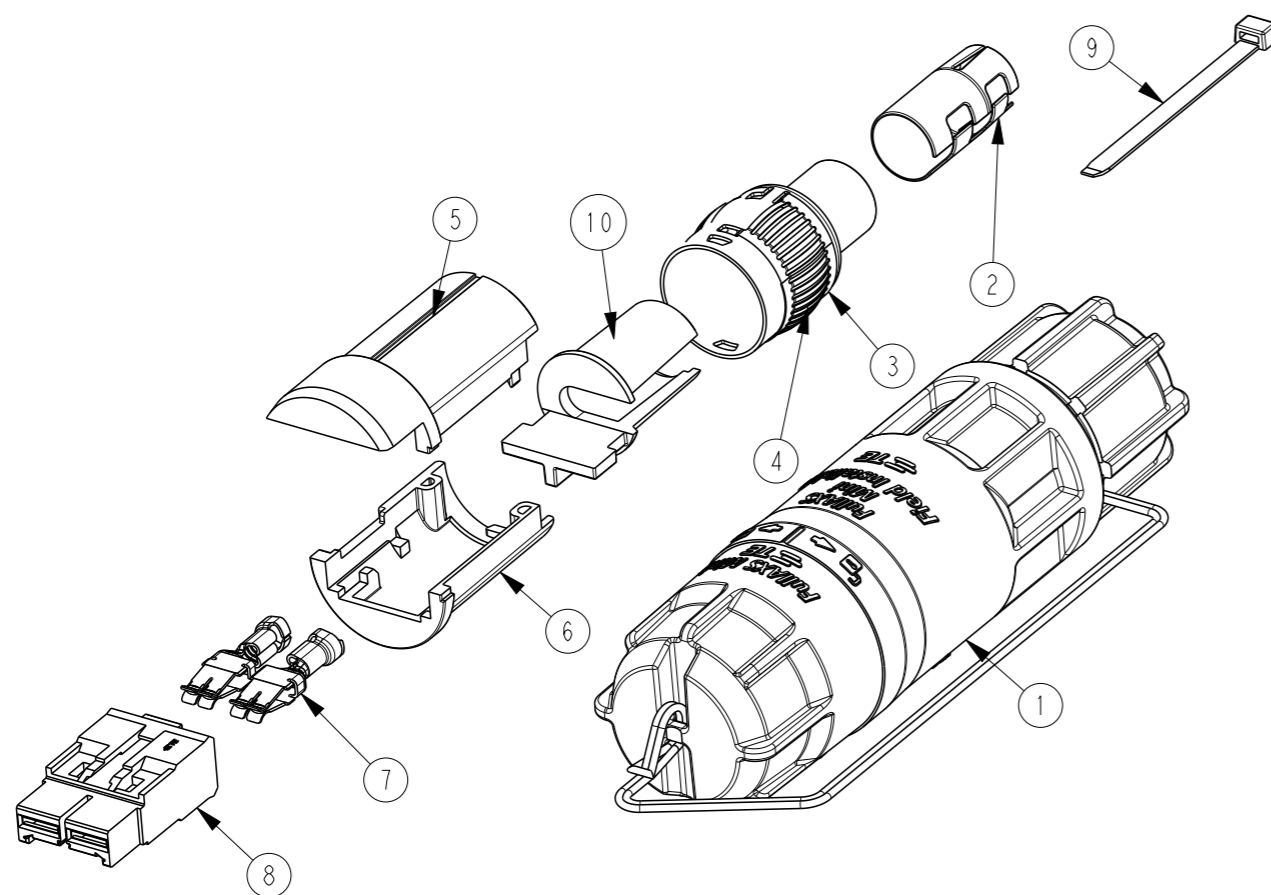


REVISIONS

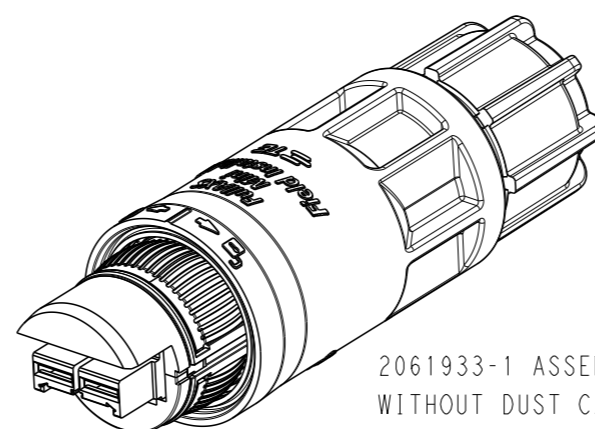
P	LTR	DESCRIPTION	DATE	DWN	APVD
	A	NEW RELEASE	02NOV2016	KZ	RS
	B	PER ECR-17-011351	05JUN2018	BW	RS
	C	ECR-23-169282	02JUN2023	SS	WH



TE Part Number	Cable Diameter
2061933-1	7.3 - 9.0 mm

NOTES:

1. THIS FulliPOWER FIELD INSTALL ASSEMBLY KIT SHOULD BE USED WITH RUGGEDIZED CABLE AND RUGGED FAN-OUT CONSTRUCTION. NO 900 MICRON TERMINATIONS TO BE USED.
2. CABLE DIAMETER RANGE: SEE TABLE
3. THE FLAMMABILITY RATING OF THE MATERIAL IS UL94-V0
4. THE MATERIAL IS HALOGEN FREE ACCORDING IEC 60754-2
5. AN INSTRUCTION SHEET IS PACKED WITH EACH FIELD INSTALL KIT



10	Spacer	1
9	Cable Tie	1
8	FulliPOWER ET Power Housing	1
7	FulliPOWER STD Power Timer Contact	3
6	FulliPOWER Alignment Adapter Bottom	1
5	FulliPOWER Alignment Adapter Top	1
4	FulliPOWER Outer Ferrule	1
3	FulliPOWER Ferrule spring	1
2	FulliPOWER Inner Ferrule	1
1	FulliPOWER MINI Field Install Sub-Assembly	1
Item	Description	Qty

THIS DRAWING IS A CONTROLLED DOCUMENT.

DIMENSIONS:	TOLERANCES UNLESS OTHERWISE SPECIFIED:
mm	
	0 PLC ±0,2
	1 PLC ±0,1
	2 PLC ±0,05
	3 PLC ±0,025
	4 PLC ±0,005
	ANGLES ±2°
MATERIAL	FINISH
-	-
-	-

DWN	R. COOLEN	09FEB2015
CHK	-	-
APVD	S. BORGAS	-
PRODUCT SPEC	-	-
APPLICATION SPEC	-	-
WEIGHT	-	-
CUSTOMER DRAWING		

STE TE Connectivity

NAME
FulliPOWER MINI FIELD INSTALL ASSEMBLY KIT

SIZE	CAGE CODE	DRAWING NO	RESTRICTED TO
A3	-	C-2061933	-

SCALE 1:1 SHEET 1 OF 1 REV C