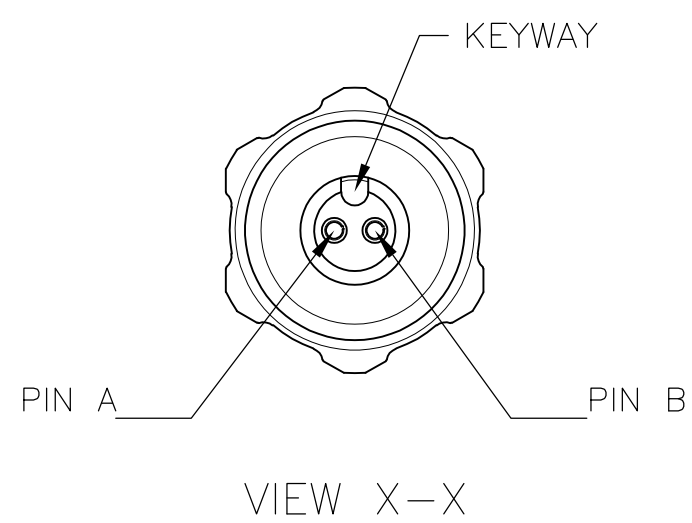
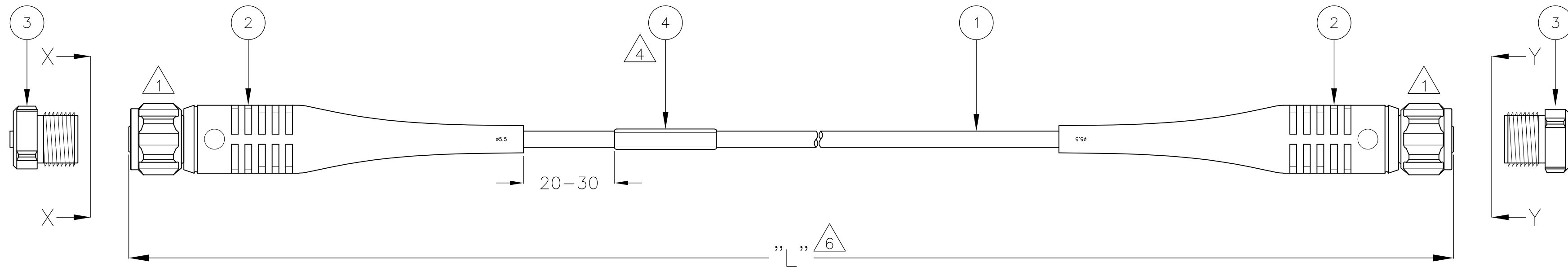
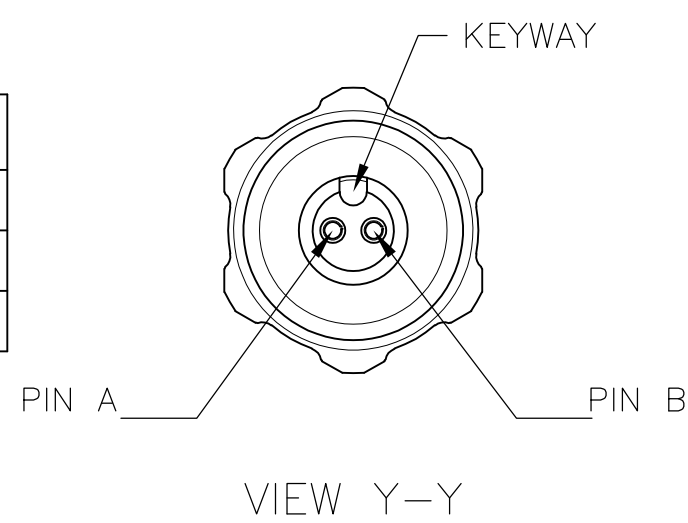


THIS DRAWING IS UNPUBLISHED. RELEASED FOR PUBLICATION  
 © COPYRIGHT - By - ALL RIGHTS RESERVED.  
 ODC IS A TRADEMARK OF HUBER & SUHNER AG CORPORATION

LOC	DIST	REVISIONS			
P	LTR	DESCRIPTION	DATE	DWN	APVD
H	-	1	FIRST PRELIMINARY ISSUE	03FEB2014	RC JM



ASSEMBLY CONNECTIVITY	
ODC PLUG	ODC PLUG
PIN A	PIN B
PIN B	PIN A



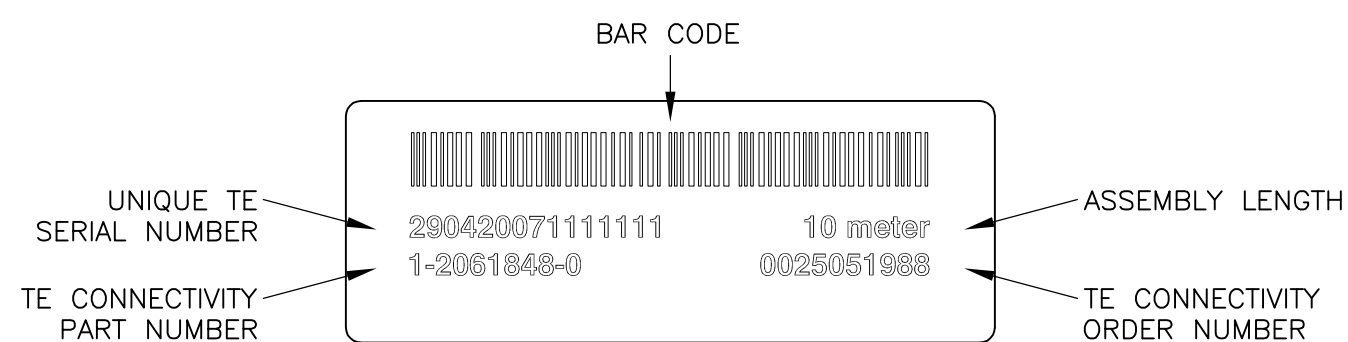
STANDARD LENGTHS ACCORDING TO TE CUSTOMER DRAWING 2061719	
PART NUMBER	"L" (meter) <sup>6</sup>
X-2061848-Y	XY.0

NOTES:

- <sup>1</sup> ALLOWABLE TORQUE: 1 Nm TO 2 Nm WHEN TIGHTENING PLUG NUT
- 2 REFER TO TE CONNECTIVITY CUSTOMER DRAWING 2064160 FOR CABLE ASSEMBLY LOSS AND WAVELENGTHS THAT CABLE ASSEMBLY LOSS WILL BE TESTED TO
- 3 MINIMUM RETURN LOSS: 45 dB FOR ODC PLUG  
RETURN LOSS WILL BE TESTED AT 1310 nm AND 1550 nm WAVELENGTHS
- <sup>4</sup> INFORMATION ON LABEL, SEE DETAIL FOR EXAMPLE
  - BARCODE
  - UNIQUE TE SERIAL NUMBER
  - ASSEMBLY LENGTH
  - TE CONNECTIVITY PART NUMBER & ORDER NUMBER
- 5 CABLE INFORMATION:
  - CORE DIAMETER: 9/125 μm (2x)
  - OUTER JACKET DIAMETER: 4.8 mm
  - OUTER JACKET COLOUR: BLACK
  - OUTER JACKET MATERIAL: HALOGEN FREE FLAME RETARDANT
  - CABLE ATTENUATION: 0.40 dB/km @ 1310 nm OR 0.25 dB/km @ 1550 nm
- <sup>6</sup> LENGTH MEASURED TO TIP OF ODC FERRULES
- 7 DO NOT CUT ASSEMBLY INTO TWO PIGTAILS

DESIGN APPROVED THIS PRINT IS  
**PRELIMINARY**  
 TO FIRST PIECE APPROVAL  
 CONTACT PRODUCT ENGINEERING  
 BEFORE USING THIS PRINT

<sup>4</sup> LABEL DETAIL:



Qty	Description	Item
1	INFORMATION LABEL	4
2	FOAC ODC CAP PLUG PLASTIC, NO CHAIN	3
2	FOKIT ODC PLUG ASSEMBLY, 2 FIBER, SINGLE MODE	2
L	FOCAB Ø4.8 mm, 2FOLD, SINGLE MODE G657A2, BLACK	1

THIS DRAWING IS A CONTROLLED DOCUMENT.		DWN R. COOLEN	27JAN2014	<b>TE</b> TE Connectivity	
DIMENSIONS: mm		CHK -	APVD J. MEYHOFER		
TOLERANCES UNLESS OTHERWISE SPECIFIED:		PRODUCT SPEC		NAME FIBER OPTIC LEAD 4.8 mm ODC2 PLUG - ODC2 PLUG SINGLE MODE G657.A2	
0 PLC ± -		APPLICATION SPEC		SIZE A2	CAGE CODE 00779
1 PLC ± -		WEIGHT -		DRAWING NO C=2061848	RESTRICTED TO -
2 PLC ± -		MATERIAL -		SCALE NTS	SHEET 1 of 1
3 PLC ± -		FINISH -		CUSTOMER DRAWING	REV 1
4 PLC ± -		ANGLES ± -			