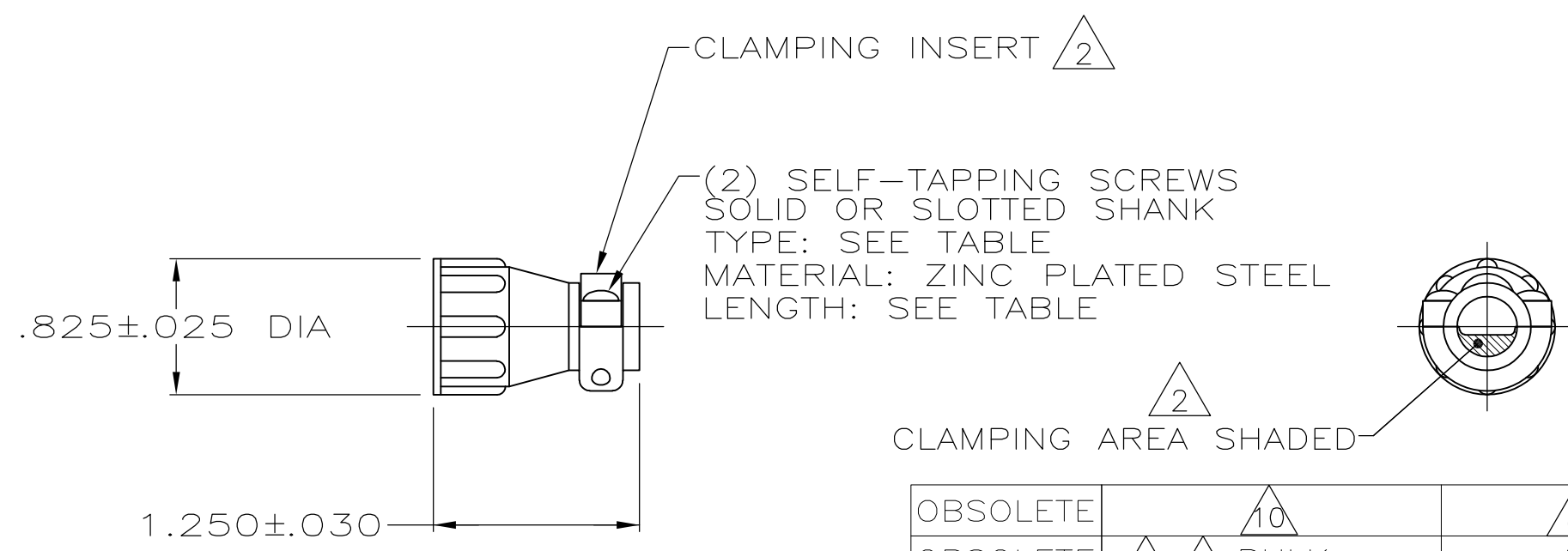


THIS DRAWING IS UNPUBLISHED. RELEASED FOR PUBLICATION
 © COPYRIGHT - By - ALL RIGHTS RESERVED.

P	LTR	DESCRIPTION	DATE	DWN	APVD
	V1	REVISED PER ECO-15-002073	06MAY2015	NK	MZ
	W	REVISED PER ECR-16-017870	20APR2017	BDA	MZ



- 1 PARTS PACKAGED UNASSEMBLED.
- 2 CABLE CLAMPING AREA ADJUSTABLE FROM .004 TO .055 SQ IN BY REVERSING CLAMPING INSERTS.
- 3 .329 MAXIMUM CABLE OUTSIDE DIAMETER.
- 4 BULK PACKAGED KITS TO BE ORDERED IN MULTIPLES OF 800 ONLY.
- 5 OBSOLETE PART NUMBER.
- 6 STAINLESS STEEL (NON MAGNATIC).
- 7 CABLE CLAMP WITH NON-MAGNETIC STAINLESS STEEL SCREWS.
- 8 ZINC PLATED STEEL, NON-HEXAVALENT CHROMATE.

OBSOLETE	10		8	.50 ⁺ _{-.05}	#5-20	2-206062-0
OBSOLETE	7 4	BULK	6	.50 ⁺ _{-.05}	#5-20	1-206062-9
	4	BULK	8	.50 ⁺ _{-.05}	#5-20	1-206062-7
		INDIVIDUAL	8	.38 ⁺ _{-.05}	#5-20	1-206062-6
	4	BULK	8	.38 ⁺ _{-.05}	#5-20	1-206062-5
		INDIVIDUAL	8	.50 ⁺ _{-.05}	#5-20	1-206062-4
		INDIVIDUAL	8	.62 ⁺ _{-.05}	#5-20	1-206062-3
	7	INDIVIDUAL	6	.50 ⁺ _{-.05}	#5-20	1-206062-2
SUPERSEDED BY 1-206062-3		INDIVIDUAL	8	.62 ⁺ _{-.05}	#5-20	1-206062-1
	9	OBSOLETE - SMALL PACK	8	.38 ⁺ _{-.05}	#5-20	1-206062-0
AMP BRAZIL USE ONLY		INDIVIDUAL		12mm ⁺ _{-.8}	3mm-20	5 206062-9
AMP BRAZIL USE ONLY		INDIVIDUAL		10mm ⁺ _{-.8}	3mm-20	5 206062-8
SUPERSEDED BY 1-206062-7	4	BULK	8	.50 ⁺ _{-.05}	#5-20	206062-4
SUPERSEDED BY 1-206062-4		INDIVIDUAL	8	.50 ⁺ _{-.05}	#5-20	206062-3
SUPERSEDED BY 1-206062-5	4	BULK	8	.38 ⁺ _{-.05}	#5-20	206062-2
SUPERSEDED BY 1-206062-6		INDIVIDUAL	8	.38 ⁺ _{-.05}	#5-20	206062-1

~~9~~ OBSOLETE PARTS: OBSOLETE CIS STREAMLINING PER D.RENAUD/D.SINISI
~~10~~ SPECIAL PACKAGING CONSISTING OF 1 KIT PER INDIVIDUAL BAG, 20 INDIVIDUAL BAGS PER LARGER BAG, 5 LARGER BAGS PER SHIPPER BOX.

PACKAGING	SCREW FINISH	SCREW LENGTH	SCREW TYPE	PART NUMBER

THIS DRAWING IS A CONTROLLED DOCUMENT.		DWN A GRAFF 4/29/91	TE Connectivity CABLE CLAMP KIT, STANDARD, SHELL SIZE 11, CPC	
DIMENSIONS: INCHES		CHK W.G.LENKER 7-22-92		
TOLERANCES UNLESS OTHERWISE SPECIFIED:		APVD -		
0 PLC ± - 1 PLC ± - 2 PLC ± - 3 PLC ± - 4 PLC ± - ANGLES ± -		NAME		
MATERIAL THERMOPLASTIC	FINISH -	PRODUCT SPEC -	APPLICATION SPEC -	RESTRICTED TO -
		WEIGHT -	SIZE A3	CAGE CODE 00779
		DRAWING NO C-206062		SCALE NTS
		CUSTOMER DRAWING		SHEET 1 OF 1
				REV W