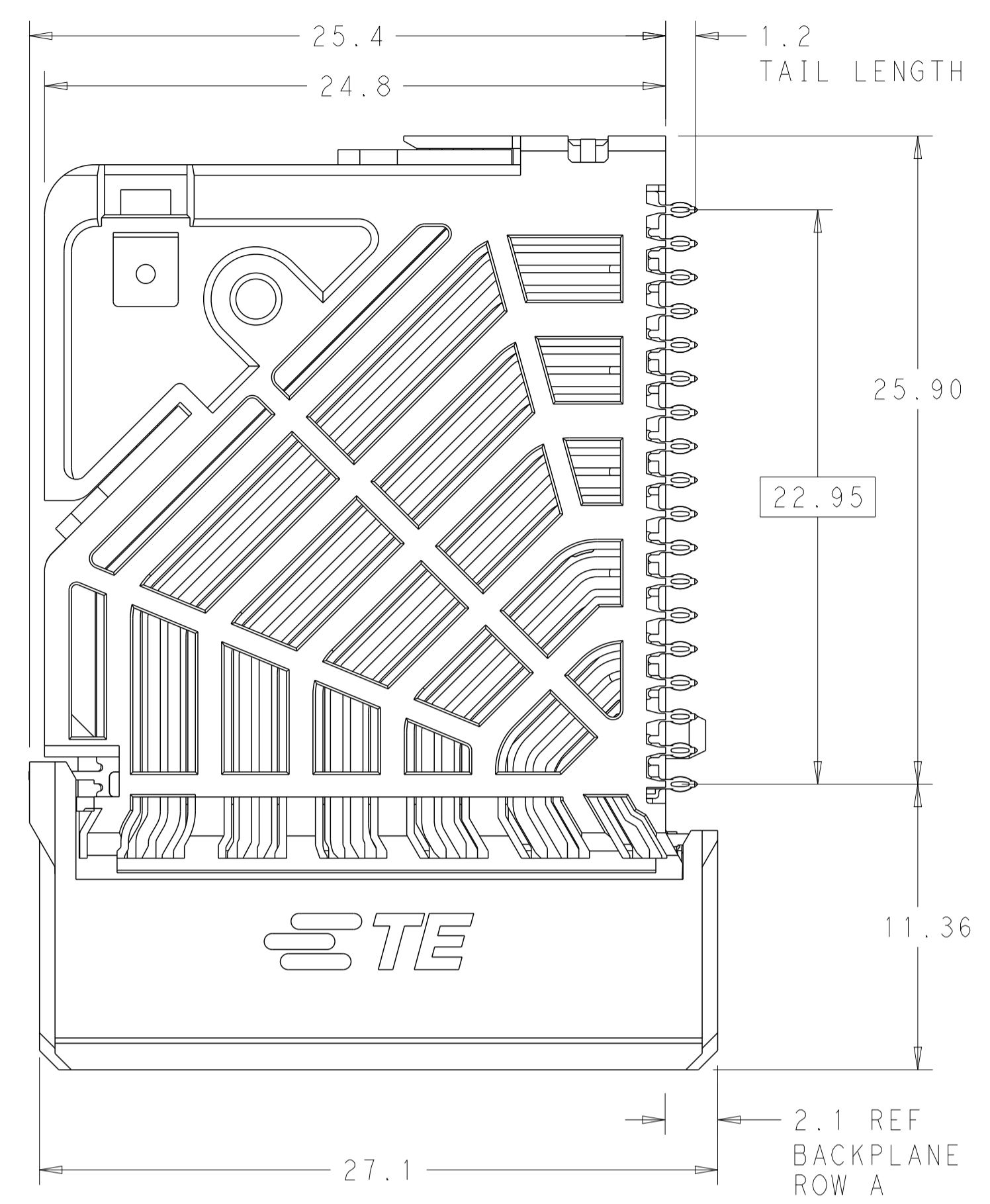
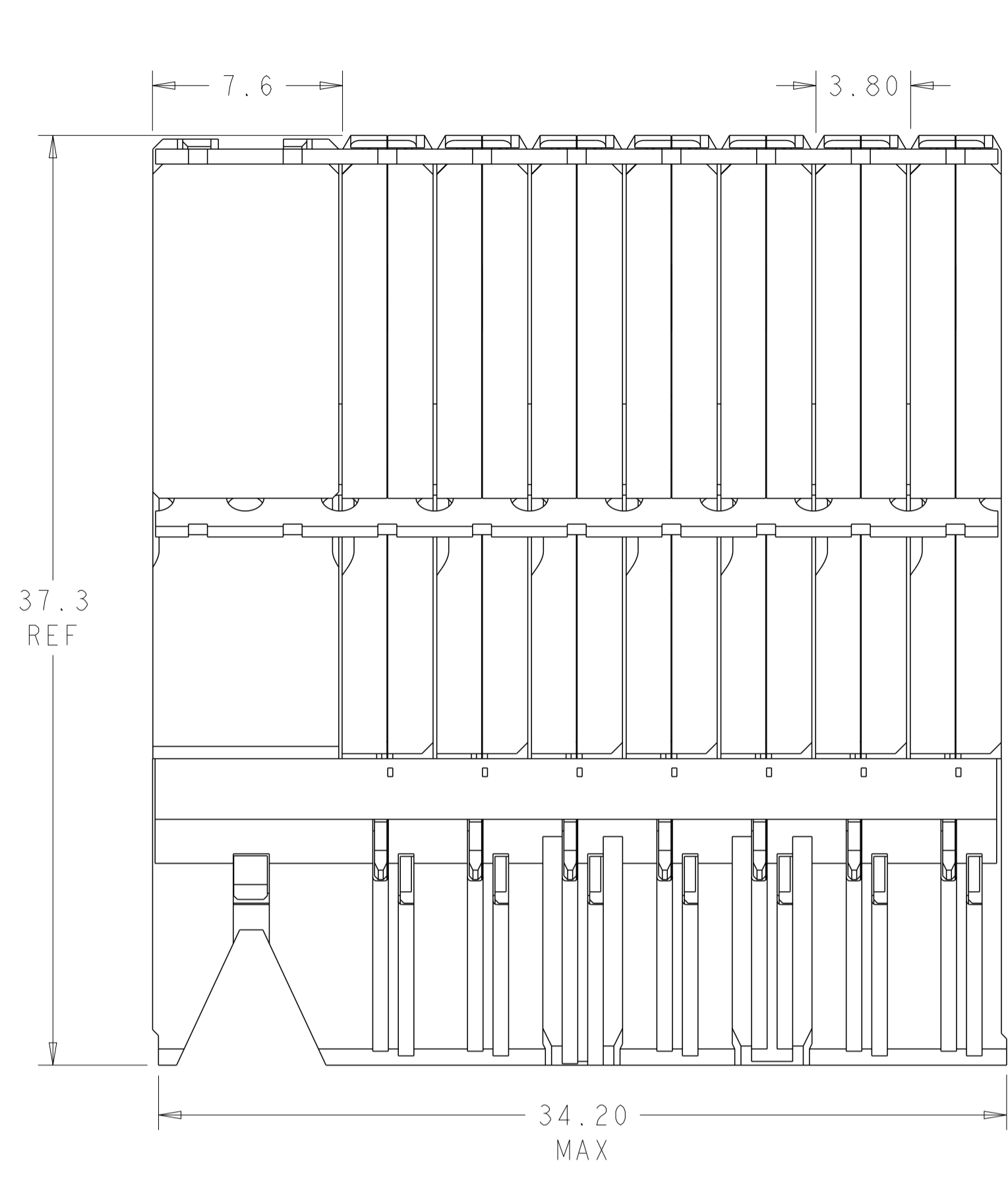


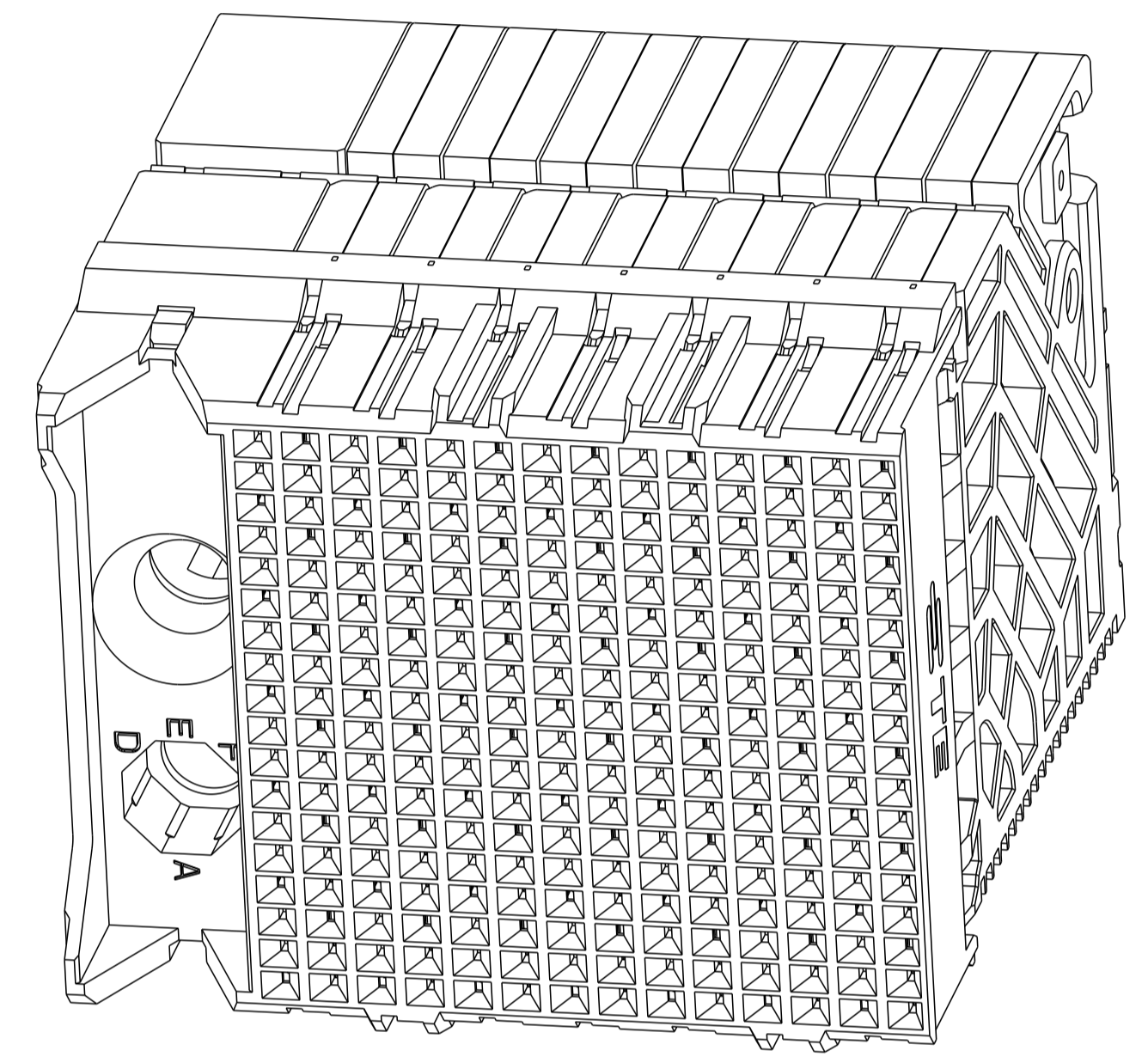
REVISIONS				
P	LTM	DESCRIPTION	DATE	APVD
C		REVISED PER ECO-15-012351	03SEP2015	AP SY
C1		REVISED PER ECN-24-252171	20FEB2024	AP RS



⚠ MATERIAL:
 HOUSING: LCP, GLASS FILLED, UL94V-0.
 TERMINALS: HIGH PERFORMANCE COPPER ALLOY.

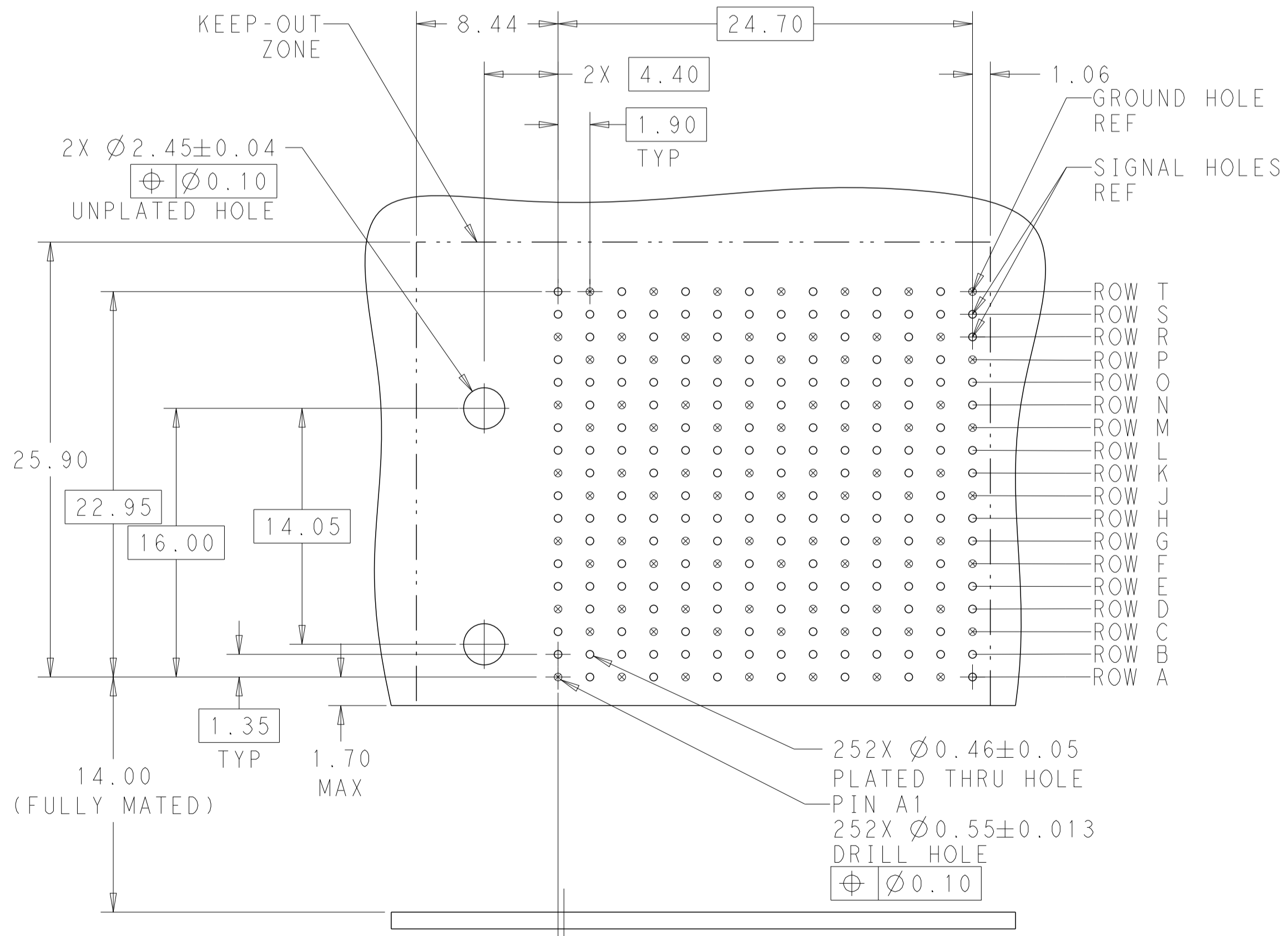
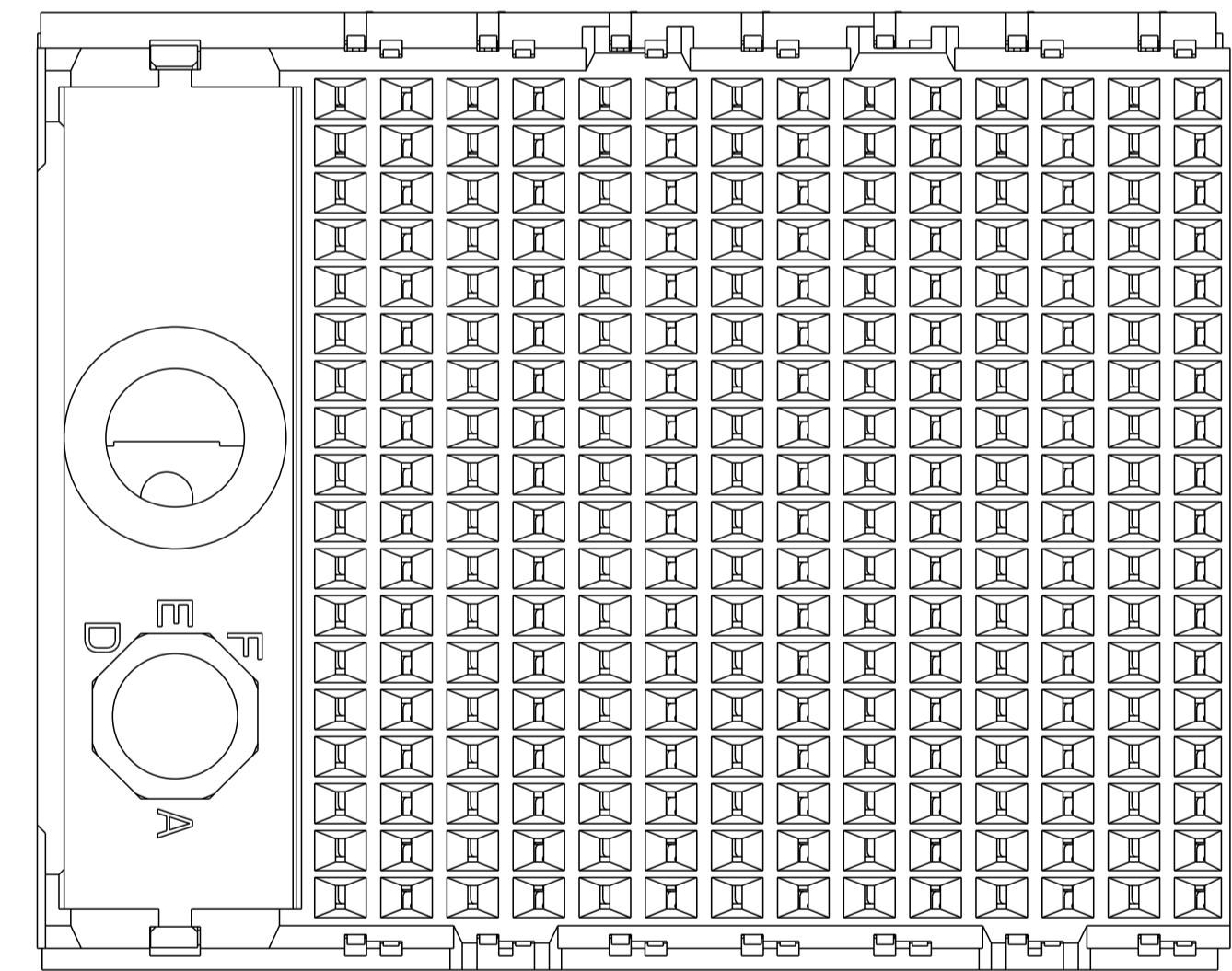
⚠ FINISH:
 30μ" SELECTIVE GOLD IN CONTACT AREA. SELECTIVE TIN ON PCB TAILS, NICKEL OVERALL.

3. CONNECTORS SUPPLIED WITH MOUNTING SCREWS.



SCALE 4:1

REFER TO WWW.TE.COM FOR PRODUCT AVAILABILITY



OFFSET BETWEEN BOARD AND BACKPLANE HOLE COLUMNS

RECOMMENDED PCB LAYOUT
 MIN BOARD THICKNESS 1.0

KEY POSITION CHART	
	NONE
	A
	B
	C
	D
	E
	F
	G
	H

OBSOLETE	H	⚠	8-2057986-1
	G	⚠	7-2057986-1
	F	⚠	6-2057986-1
	E	⚠	5-2057986-1
	D	⚠	4-2057986-1
	C	⚠	3-2057986-1
	B	⚠	2-2057986-1
	A	⚠	1-2057986-1
	NONE	⚠	2057986-1
	KEY POSITION	FINISH	PART NUMBER

DIMENSIONS:		TOLERANCES UNLESS OTHERWISE SPECIFIED:		MATERIAL:	
mm	0 PLC	±	0.2	SEE TABLE	SEE TABLE
	1 PLC	±	0.13		
	2 PLC	±	0.1		
	3 PLC	±	0.075		
	4 PLC	±	0.05		
	ANGLES	±	0.5		

THIS DRAWING IS A CONTROLLED DOCUMENT.	DWN - 01APR2011	TE Connectivity
CHK D. DIXON 01APR2011	APVD D. DIXON 01APR2011	
NAME		
PRODUCT SPEC		
APPLICATION SPEC		IMPACT, 6 PAIR, DAUGHTERCARD 14 COLUMN, LEFT GUIDED, SIGNAL MODULE, 0.46 EYELET
MATERIAL		SIZE CAGE CODE DRAWING NO RESTRICTED TO
WEIGHT		A100779C=2057986
Customer Drawing		SCALE 5:1 SHEET 1 OF 1 REV C1