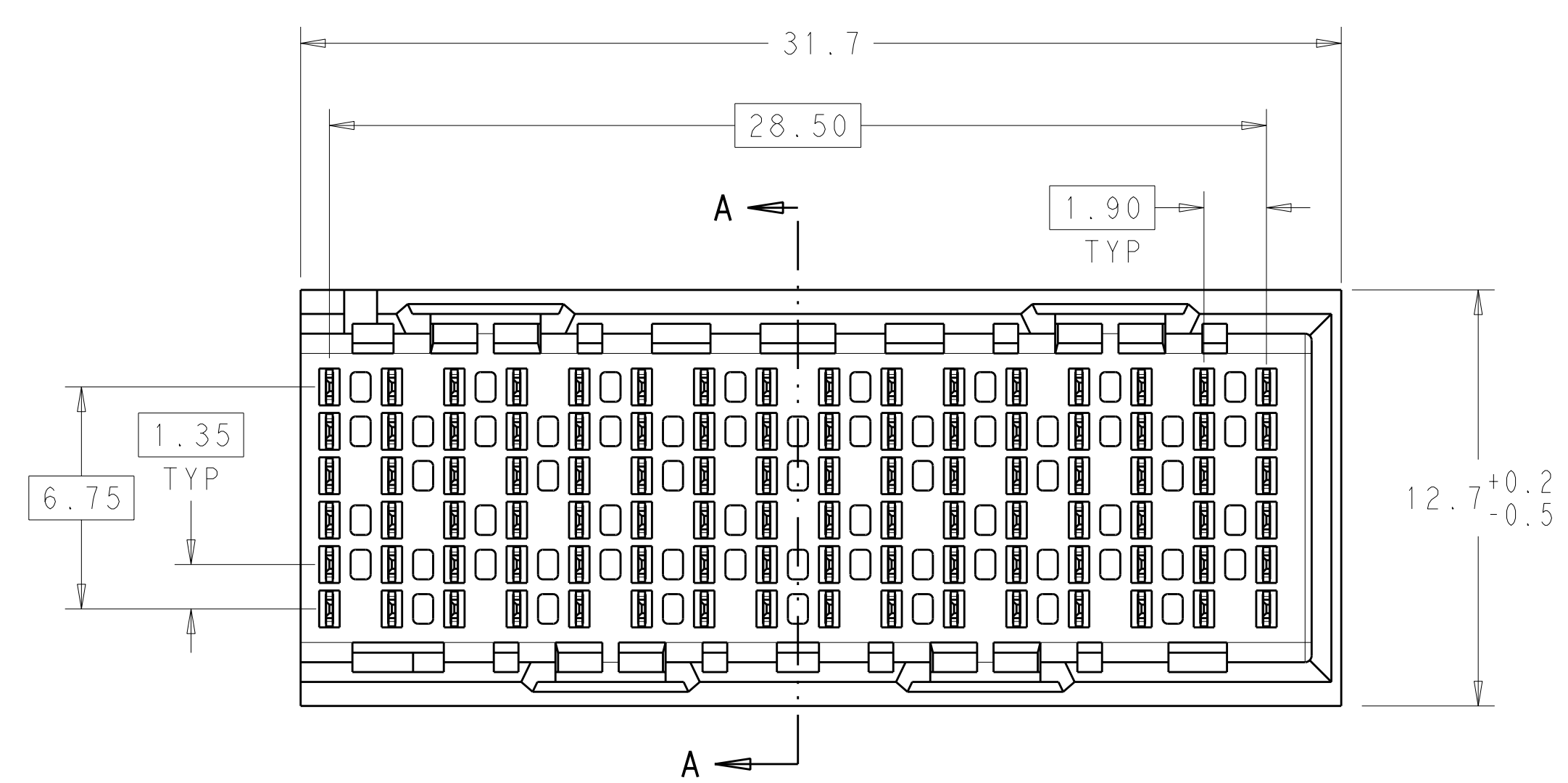
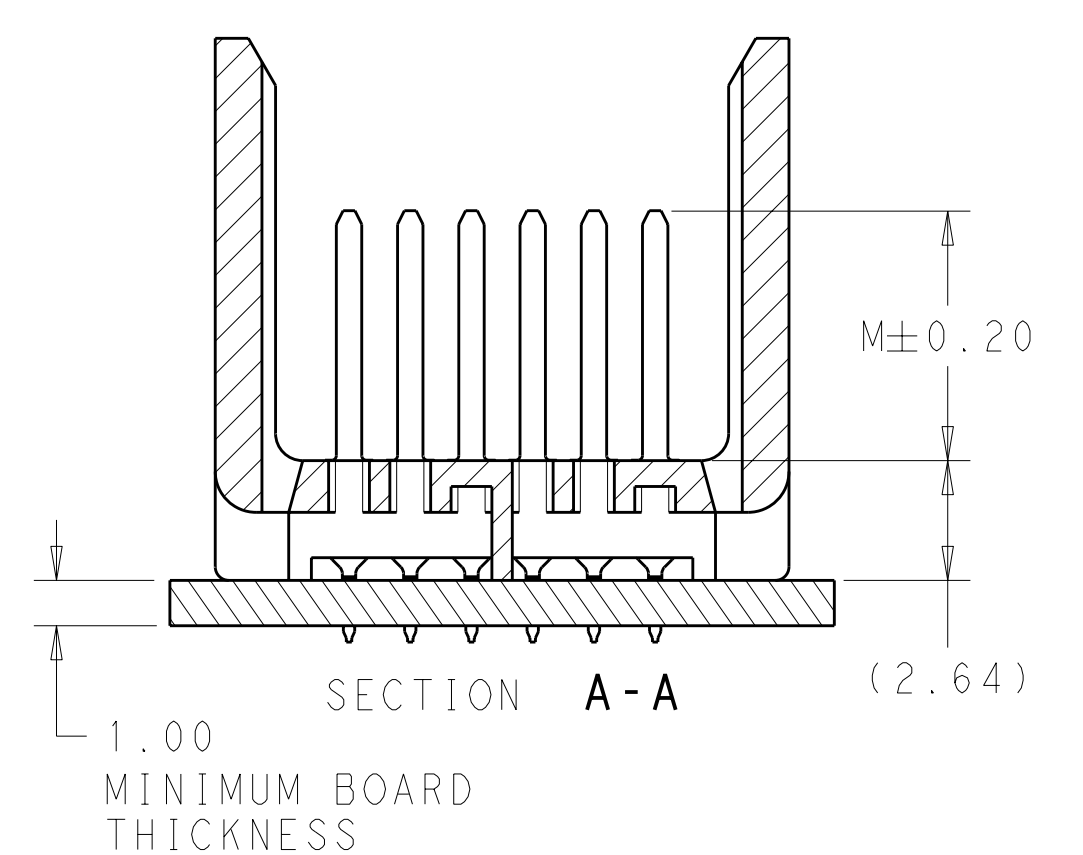
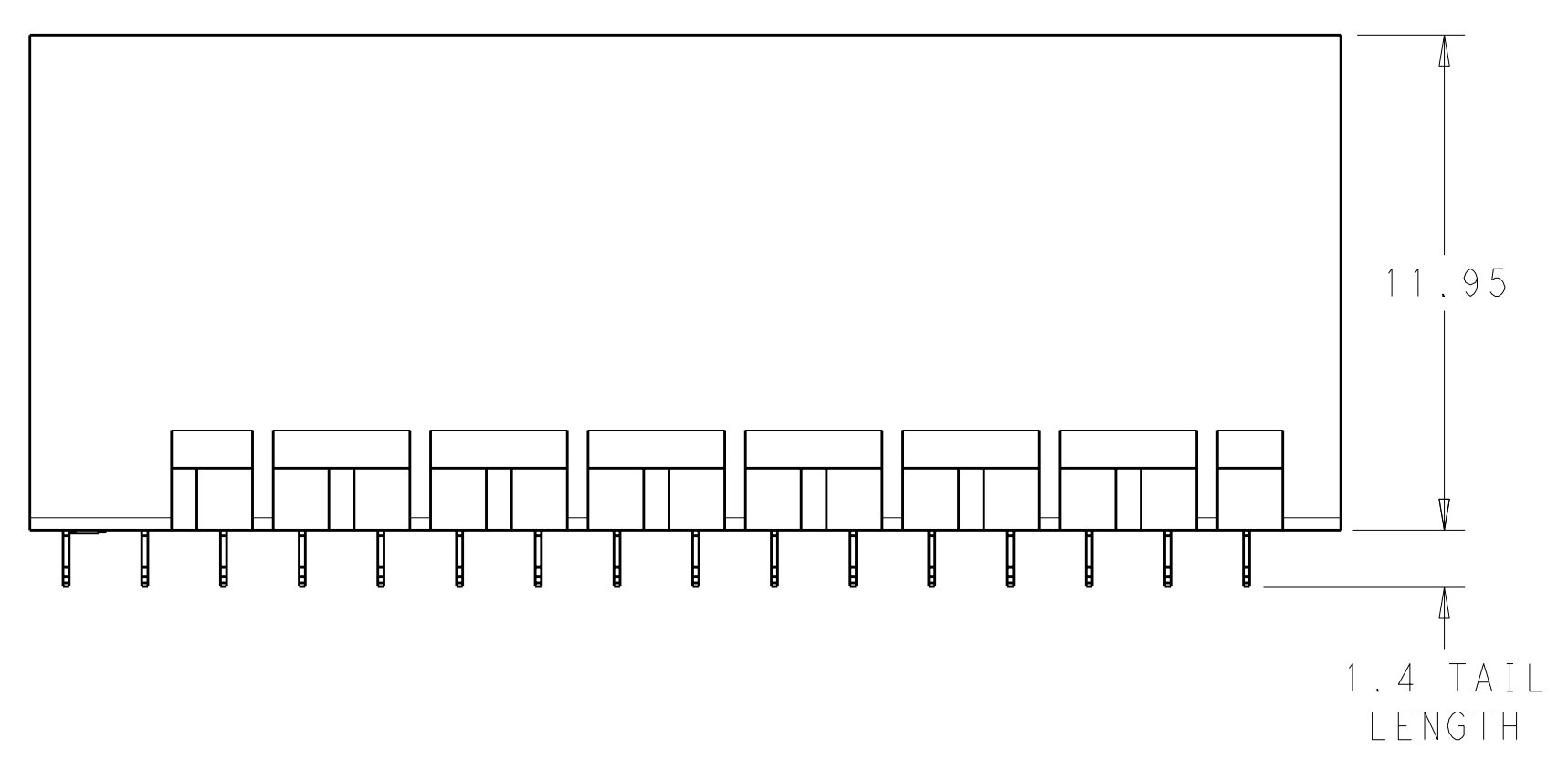
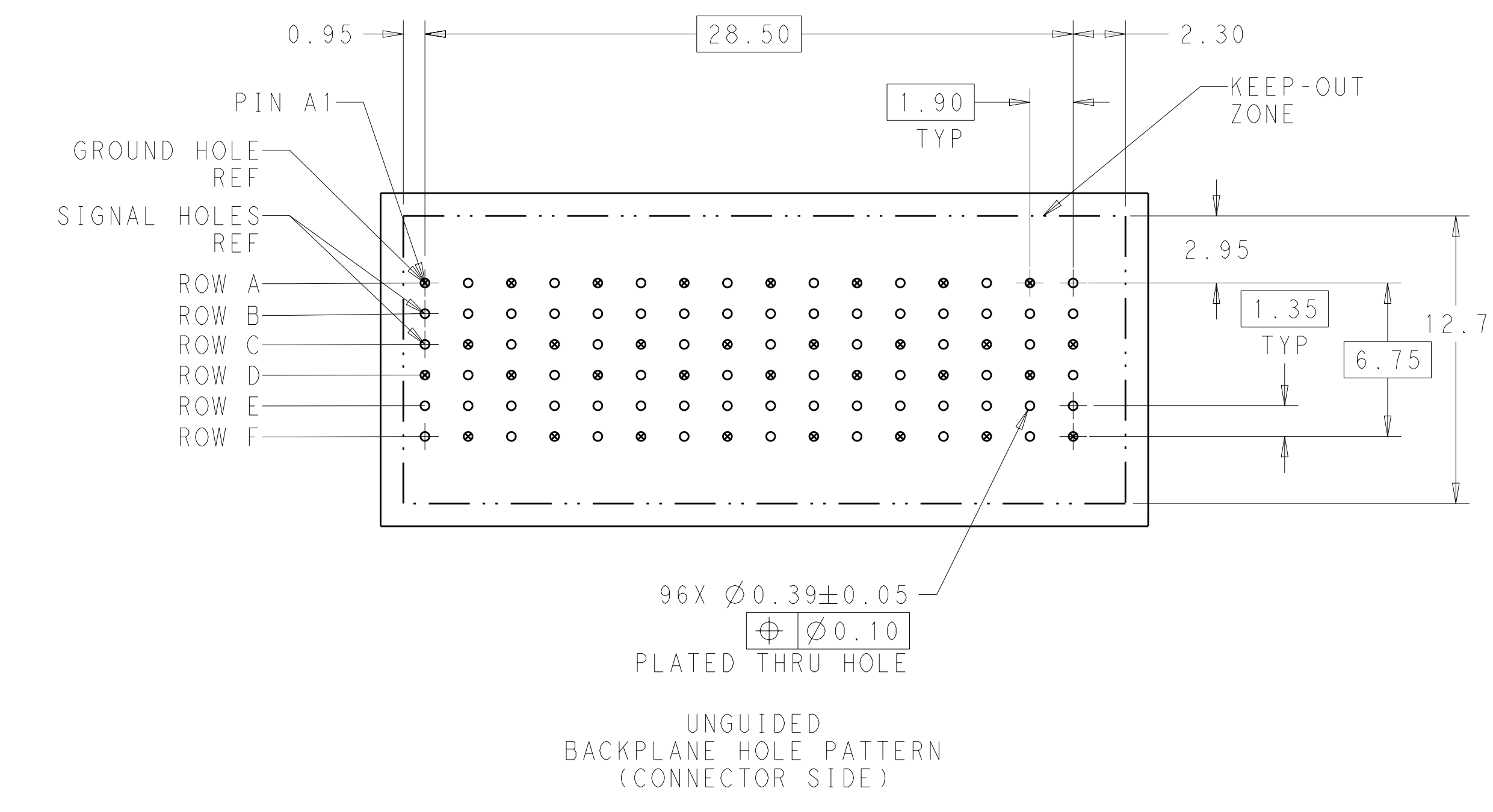
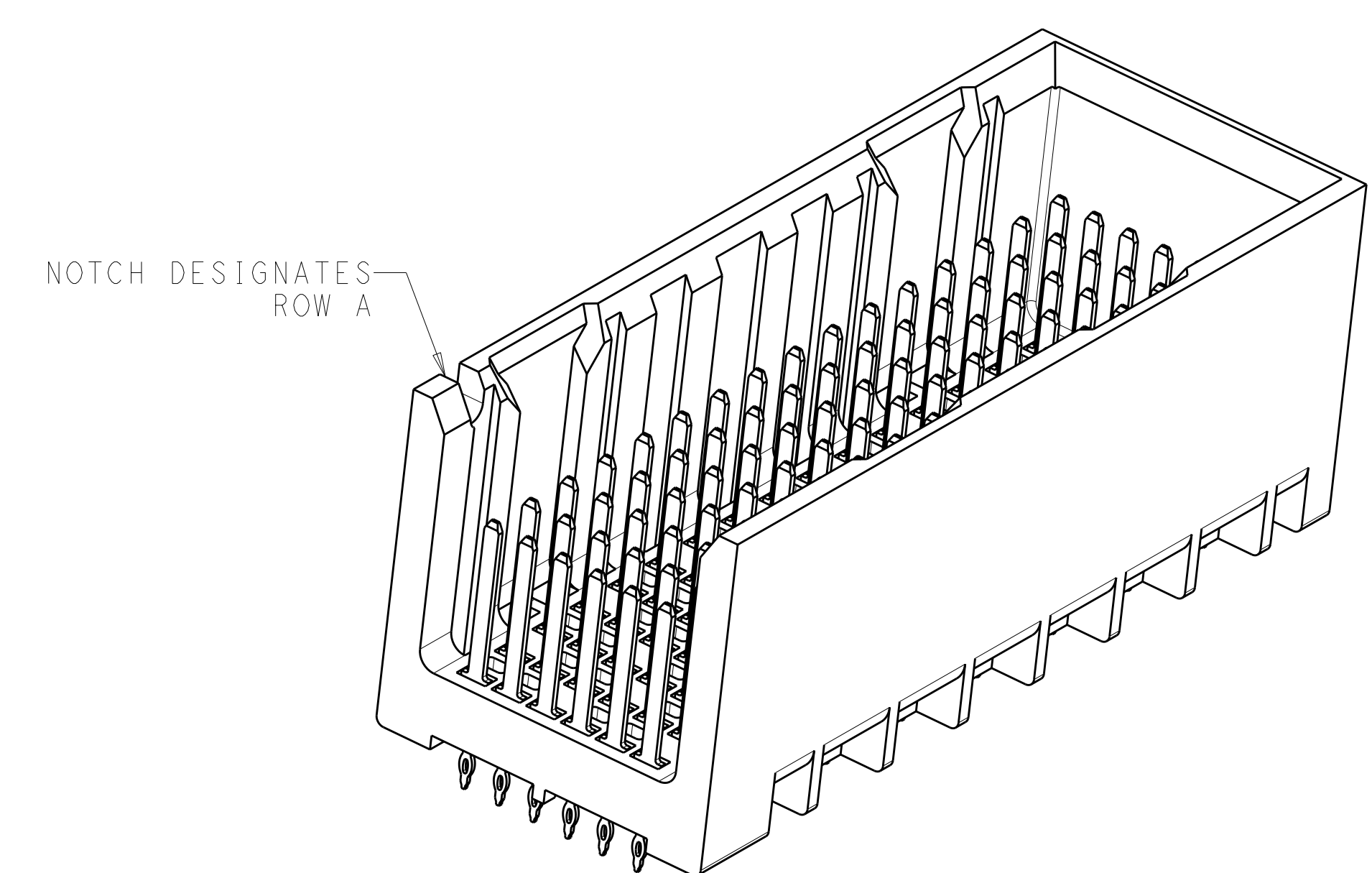


LOC		DIST		REVISIONS			
AD	00	P	LT#	DESCRIPTION	DATE	DWN	APVD
		B		REVISED PER ECO-11-025276	05JAN2012	KH	DY



- 1 MATERIAL:
HOUSING: LCP, GLASS FILLED, UL94V-0.
TERMINALS: HIGH PERFORMANCE COPPER ALLOY.
- 2 FINISH:
30μ" MIN GOLD IN CONTACT AREA. SELECTIVE TIN
ON PCB TAILS, NICKEL OVERALL.
- 3 FINISH:
30μ" MIN GOLD IN CONTACT AREA. SELECTIVE TIN-LEAD
ON PCB TAILS, NICKEL OVERALL.




THIS DRAWING IS A CONTROLLED DOCUMENT.		DWN J. K. SHOBER 31JAN2011	TE Connectivity
DIMENSIONS: mm		CHK J. EBY 31JAN2011	
		APVD J. EBY 31JAN2011	
TOLERANCES UNLESS OTHERWISE SPECIFIED: 9 PLC ± 1 PLC ±0.25 3 PLC ±0.13 5 PLC ± 4 PLC ± ANGLES ± FINISH SEE TABLE		NAME IMPACT, 2 PAIR, 16 COLUMN, HEADER PRODUCT SPEC UNGUIDED, RIGHT END WALL APPLICATION SPEC SIGNAL MODULE, 0.39 PTH SIZE CAGE CODE DRAWING NO. RESTRICTED TO WEIGHT A100779C=2057751 CUSTOMER DRAWING SCALE 6:1 SHEET 1 OF 2 REV B	

THIS DRAWING IS UNPUBLISHED. RELEASED FOR PUBLICATION 20
 © COPYRIGHT 20 . . . ALL RIGHTS RESERVED.

LOC	DIST	REVISIONS					
AD	00	P	LTB	DESCRIPTION	DATE	DWN	APVD
		-	-	SEE SHEET 1	-	-	-

FINISH	DIM M	PART NUMBER
△ ₃	5.5	2057751-6
△ ₃	4.9	2057751-5
△ ₃	4.5	2057751-4
△ ₂	5.5	2057751-3
△ ₂	4.9	2057751-2
△ ₂	4.5	2057751-1

REFER TO WWW.TE.COM
 FOR PRODUCT AVAILABILITY

THIS DRAWING IS A CONTROLLED DOCUMENT.		DWN J. K. SHOBER 31 JAN 2011	 TE Connectivity
DIMENSIONS: mm		CHK J. EABY 31 JAN 2011	
TOLERANCES UNLESS OTHERWISE SPECIFIED: 9 PLC ± 7 PLC ±0.25 5 PLC ±0.13 4 PLC ± ANGLES ± FINISH SEE TABLE		APVD J. EABY 31 JAN 2011	NAME IMPACT, 2 PAIR, 16 COLUMN, HEADER UNGUIDED, RIGHT END WALL SIGNAL MODULE, 0.39 PTH
MATERIAL -	FINISH SEE TABLE	PRODUCT SPEC -	APPLICATION SPEC -
CUSTOMER DRAWING		WEIGHT -	RESTRICTED TO -
SCALE 5:1		SHEET 2 OF 2	REV B