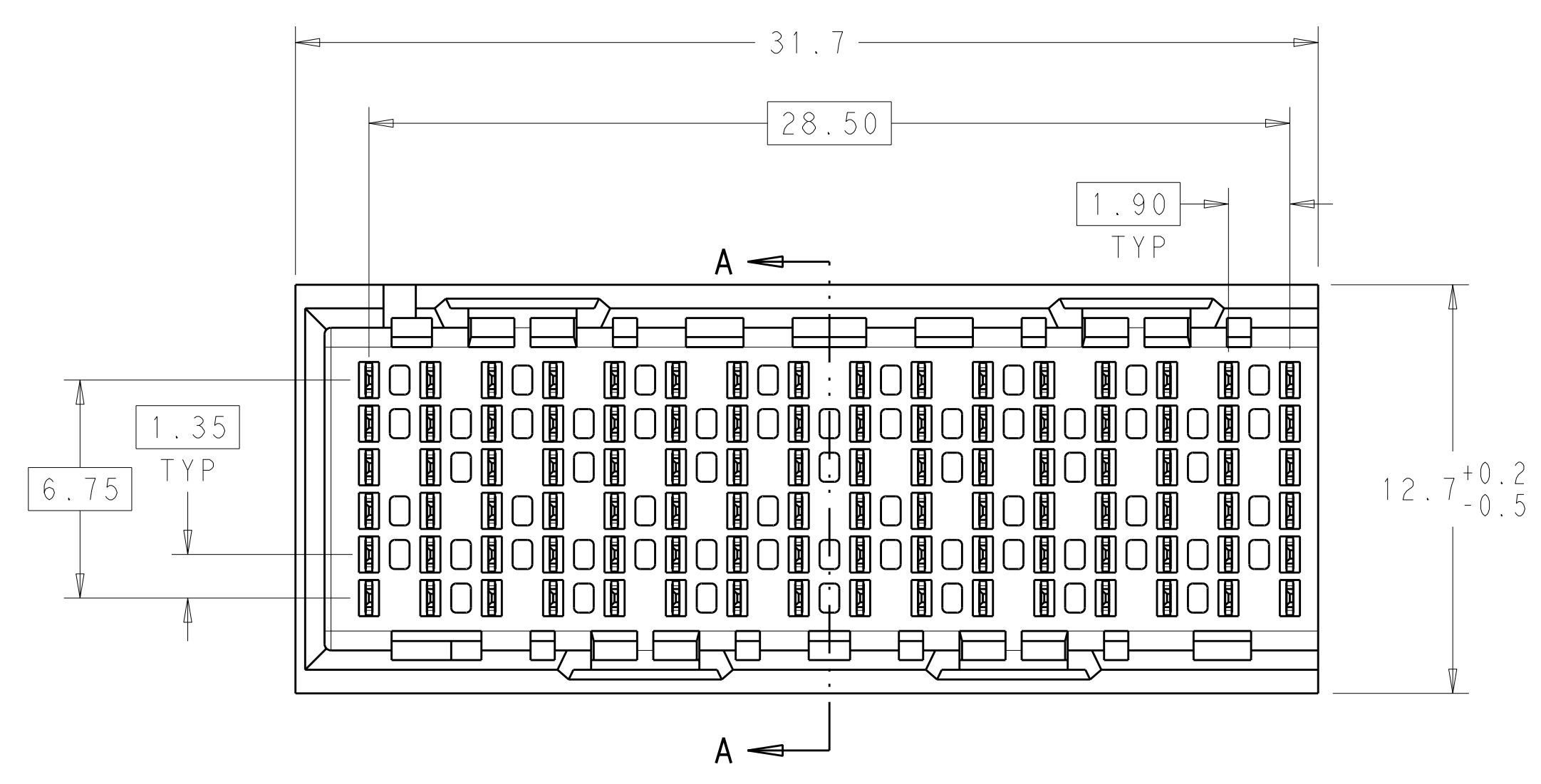
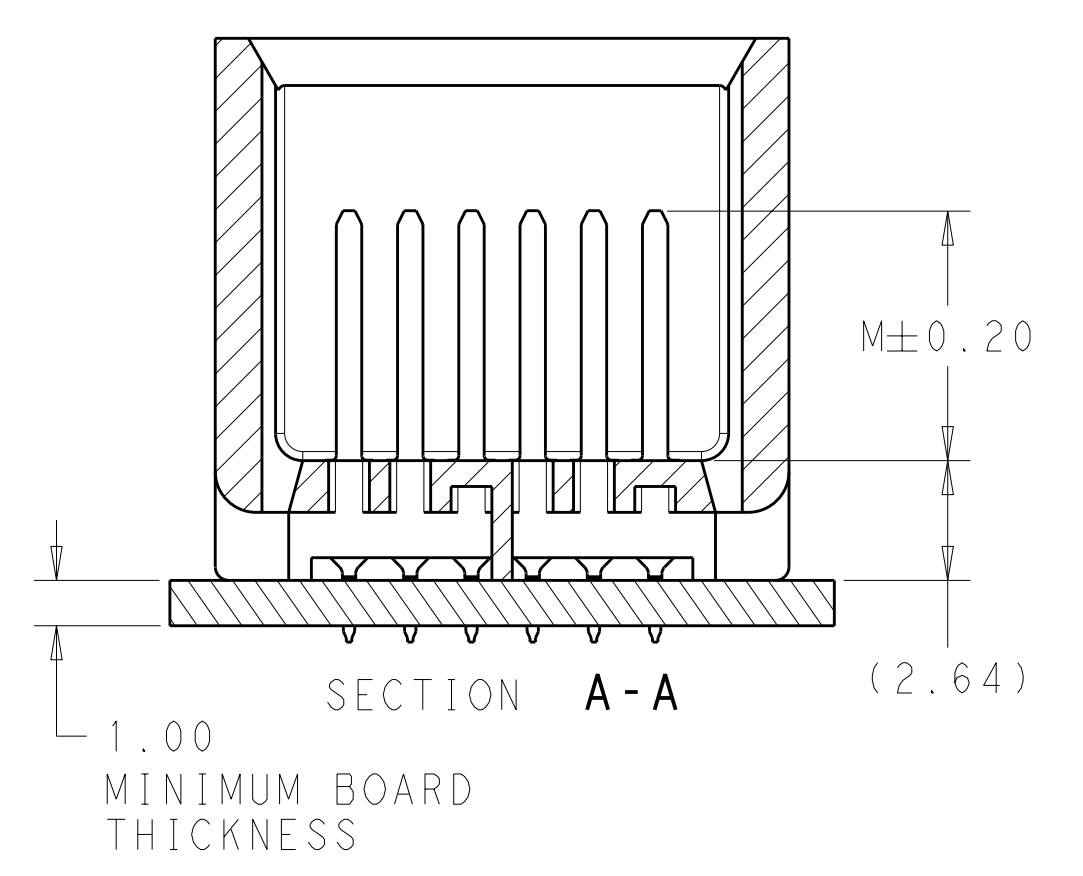
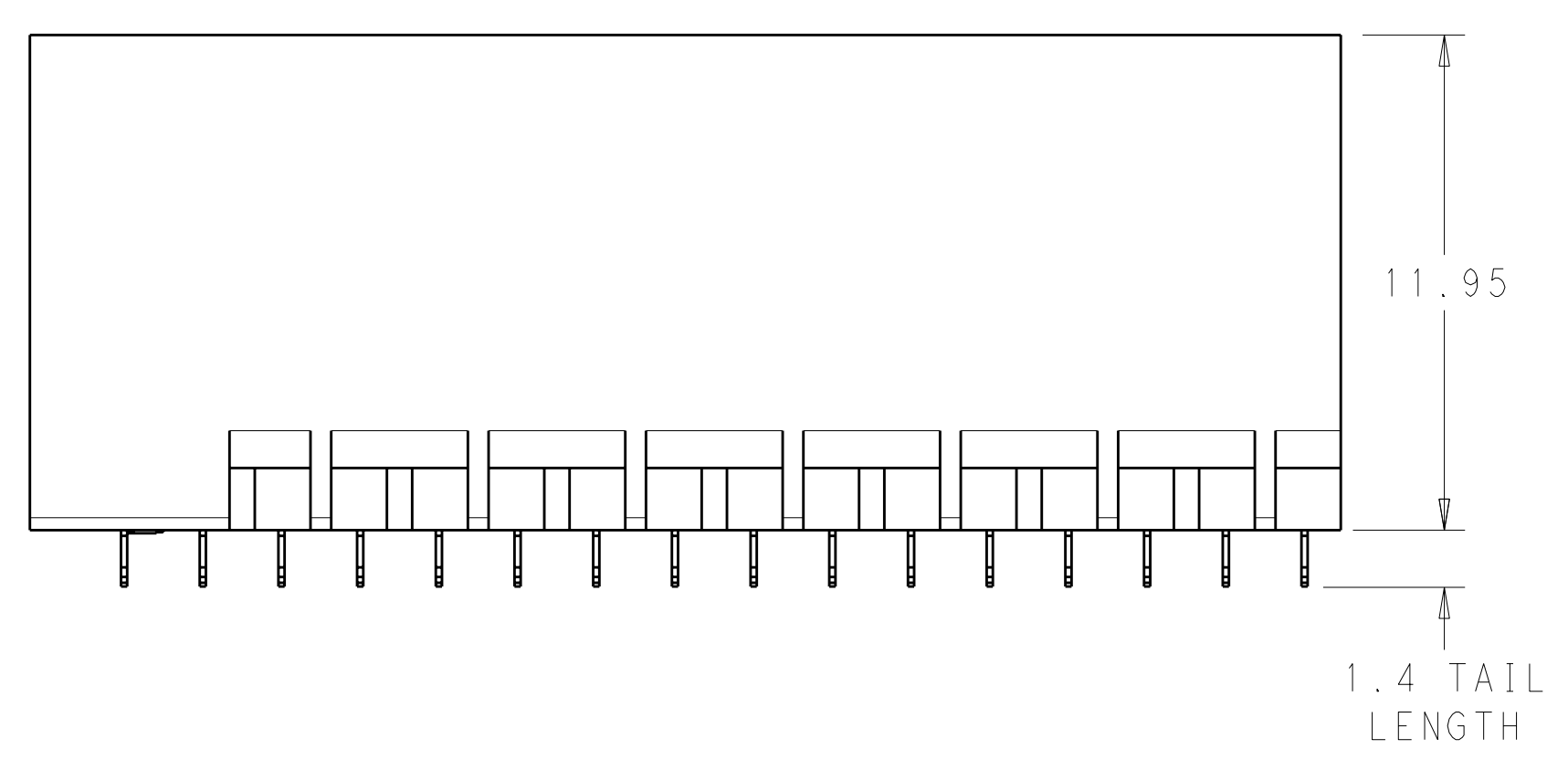
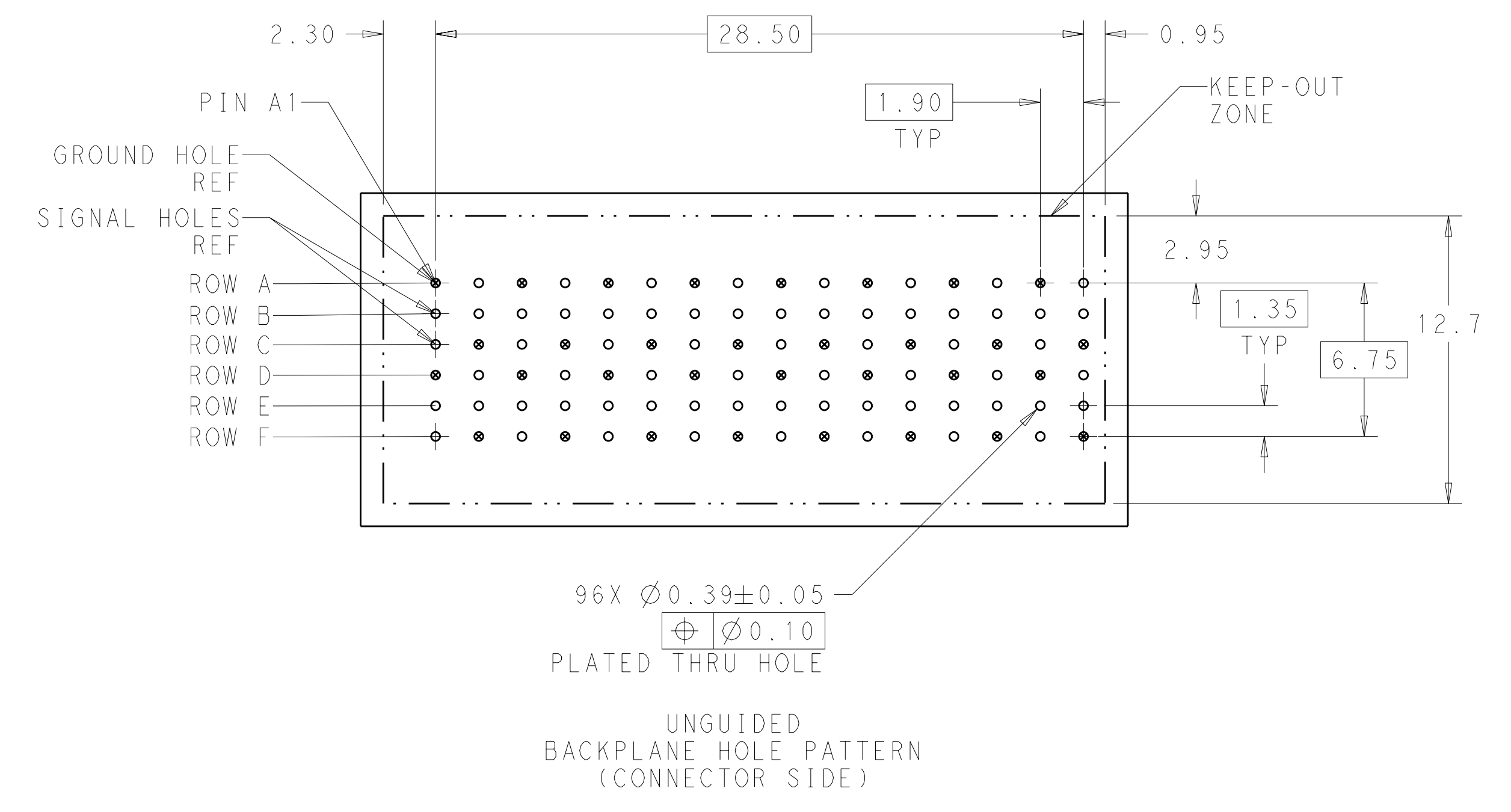
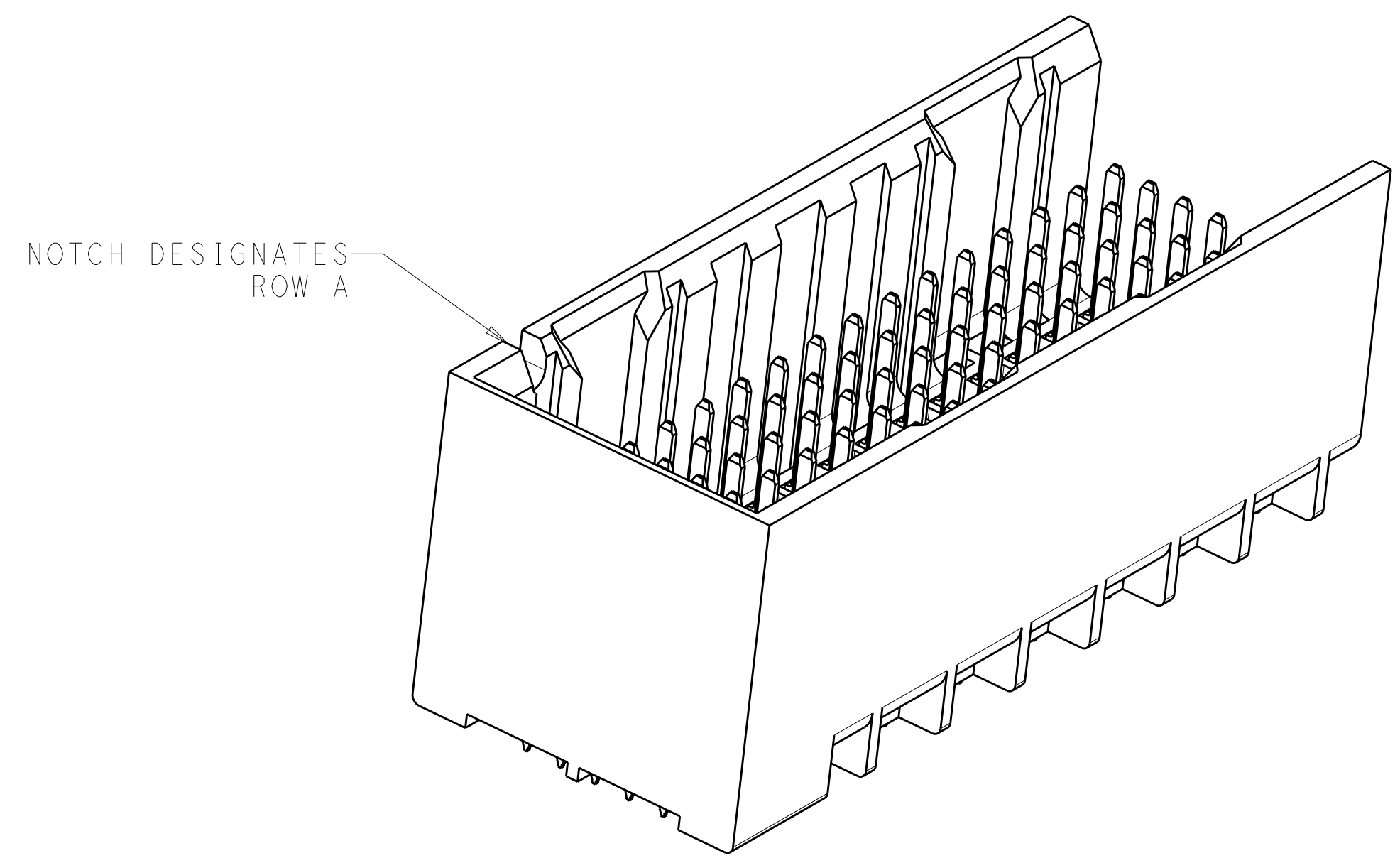


LOC		DIST		REVISIONS			
AD	00	P	LTB	DESCRIPTION	DATE	DWN	APVD
		B		REVISED PER ECO-11-025276	05JAN2012	KH	DY



- 1 MATERIAL:
HOUSING: LCP, GLASS FILLED, UL94V-0.
TERMINALS: HIGH PERFORMANCE COPPER ALLOY.
- 2 FINISH:
30μ" MIN GOLD IN CONTACT AREA. SELECTIVE TIN
ON PCB TAILS, NICKEL OVERALL.
- 3 FINISH:
30μ" MIN GOLD IN CONTACT AREA. SELECTIVE TIN-LEAD
ON PCB TAILS, NICKEL OVERALL.




THIS DRAWING IS A CONTROLLED DOCUMENT.		DWN J. K. SHOBER 31JAN2011	TE Connectivity
DIMENSIONS: mm		CHK J. EBY 31JAN2011	
9 PLC ± 1 PLC ±0.25 3 PLC ±0.13 5 PLC ± 4 PLC ± ANGLES ± FINISH SEE TABLE		APVD J. EBY 31JAN2011	
MATERIAL		PRODUCT SPEC	NAME IMPACT, 2 PAIR, 16 COLUMN, HEADER UNGUIDED, LEFT END WALL SIGNAL MODULE, 0.39 PTH
		APPLICATION SPEC	SIZE CAGE CODE DRAWING NO. RESTRICTED TO
		WEIGHT	A100779C=2057749
		CUSTOMER DRAWING	SCALE 6:1 SHEET 1 OF 2 REV B

THIS DRAWING IS UNPUBLISHED. RELEASED FOR PUBLICATION 20
 © COPYRIGHT 20 . . . ALL RIGHTS RESERVED.

LOC	DIST	REVISIONS					
AD	00	P	LTG	DESCRIPTION	DATE	DWN	APVD
		-	-	SEE SHEET 1	-	-	-

FINISH	DIM M	PART NUMBER
\triangle_3	5.5	2057749-6
\triangle_3	4.9	2057749-5
\triangle_3	4.5	2057749-4
\triangle_2	5.5	2057749-3
\triangle_2	4.9	2057749-2
\triangle_2	4.5	2057749-1

REFER TO WWW.TE.COM
FOR PRODUCT AVAILABILITY

THIS DRAWING IS A CONTROLLED DOCUMENT.		DWN J. K. SHOBER 31 JAN 2011	 TE Connectivity	
DIMENSIONS: mm		CHK J. EARY 31 JAN 2011		
TOLERANCES UNLESS OTHERWISE SPECIFIED: 9 PLC ± .25 2 PLC ± 0.13 5 PLC ± . 4 PLC ± . ANGLES ± . FINISH SEE TABLE		APVD J. EARY 31 JAN 2011	NAME IMPACT, 2 PAIR, 16 COLUMN, HEADER UNGUIDED, LEFT END WALL SIGNAL MODULE, 0.39 PTH	
MATERIAL -		PRODUCT SPEC -	SIZE CAGE CODE DRAWING NO A100779C=2057749	
CUSTOMER DRAWING		APPLICATION SPEC -	RESTRICTED TO -	
		WEIGHT -	SCALE 5:1 SHEET 2 OF 2 REV B	