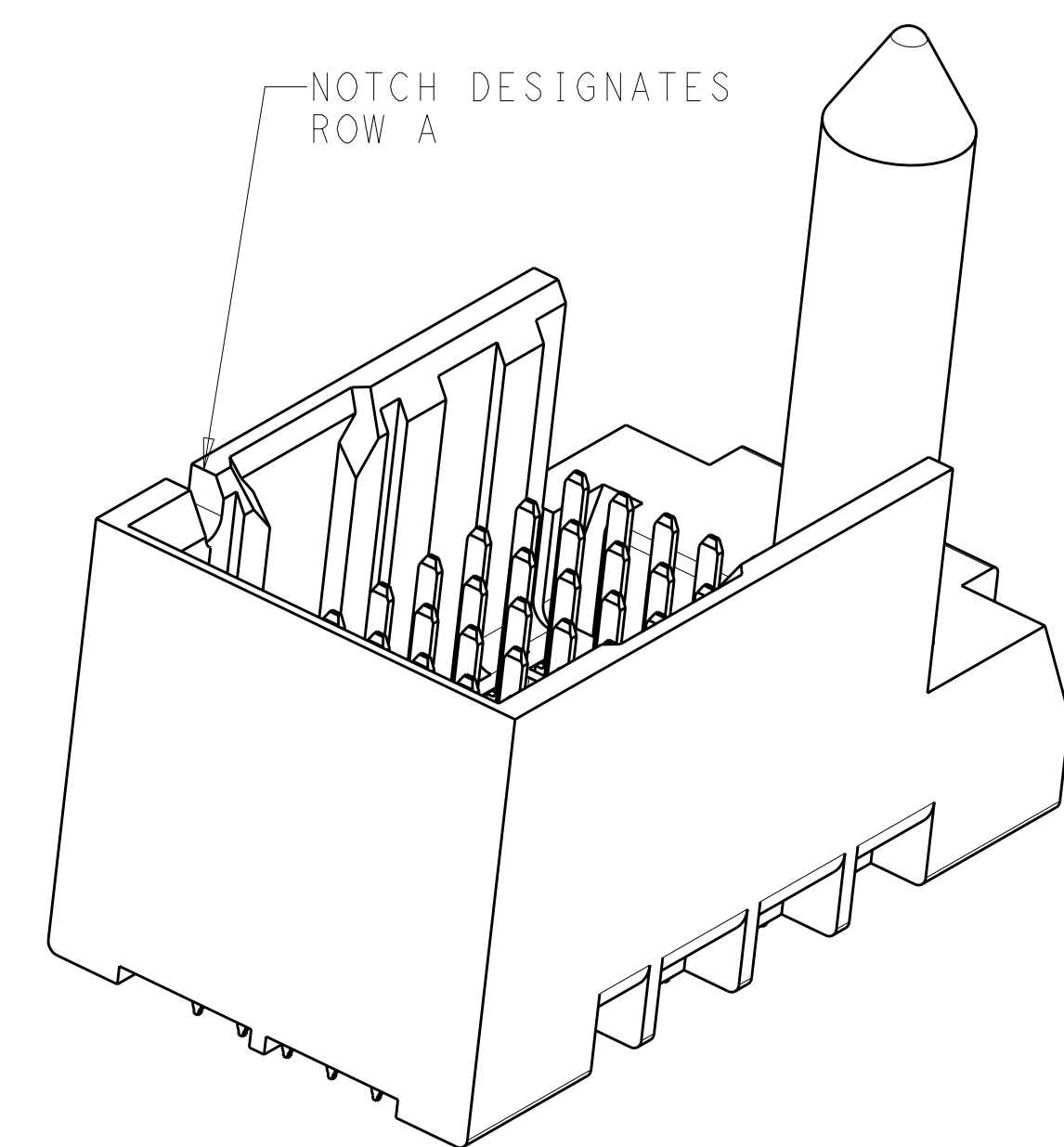
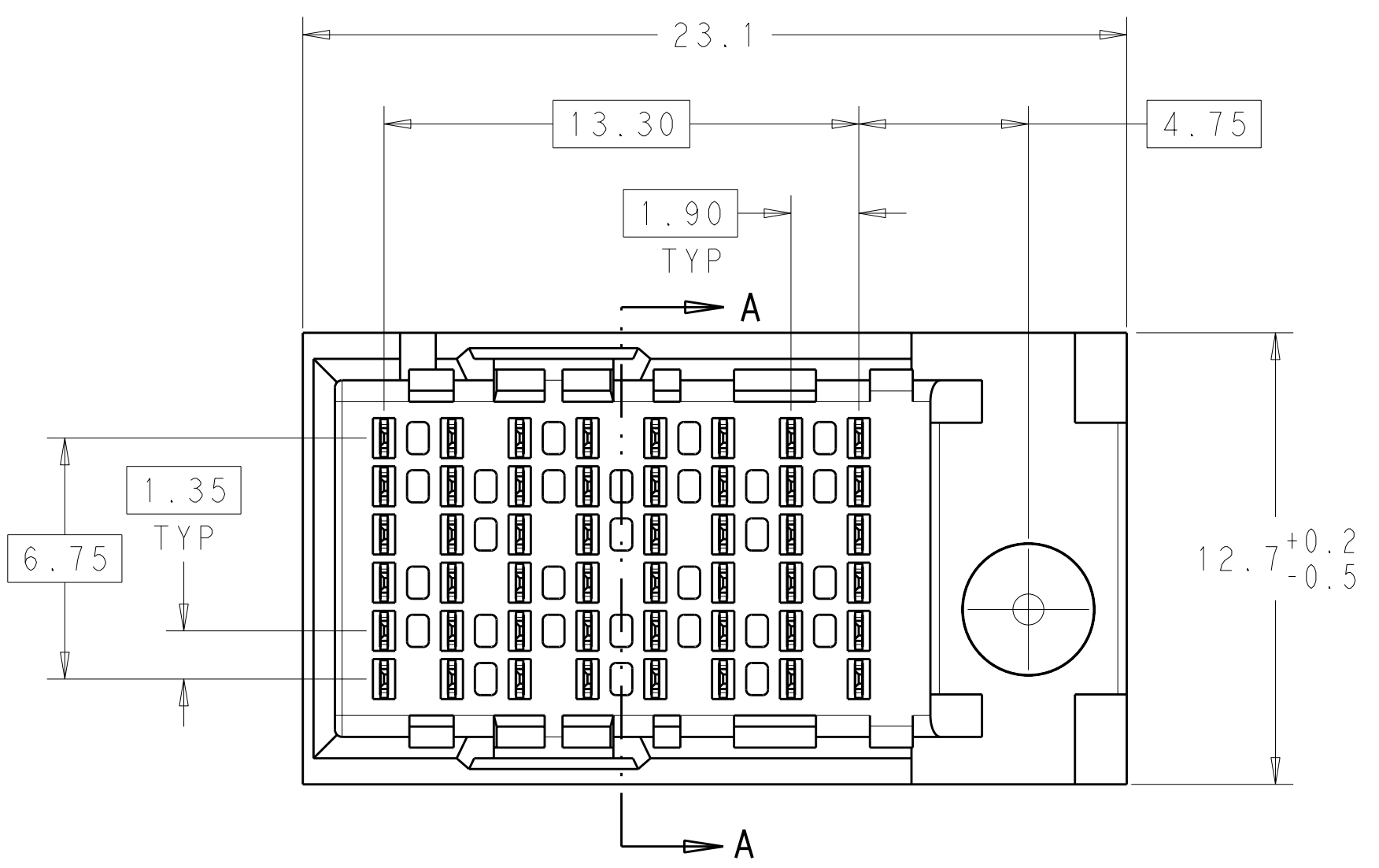
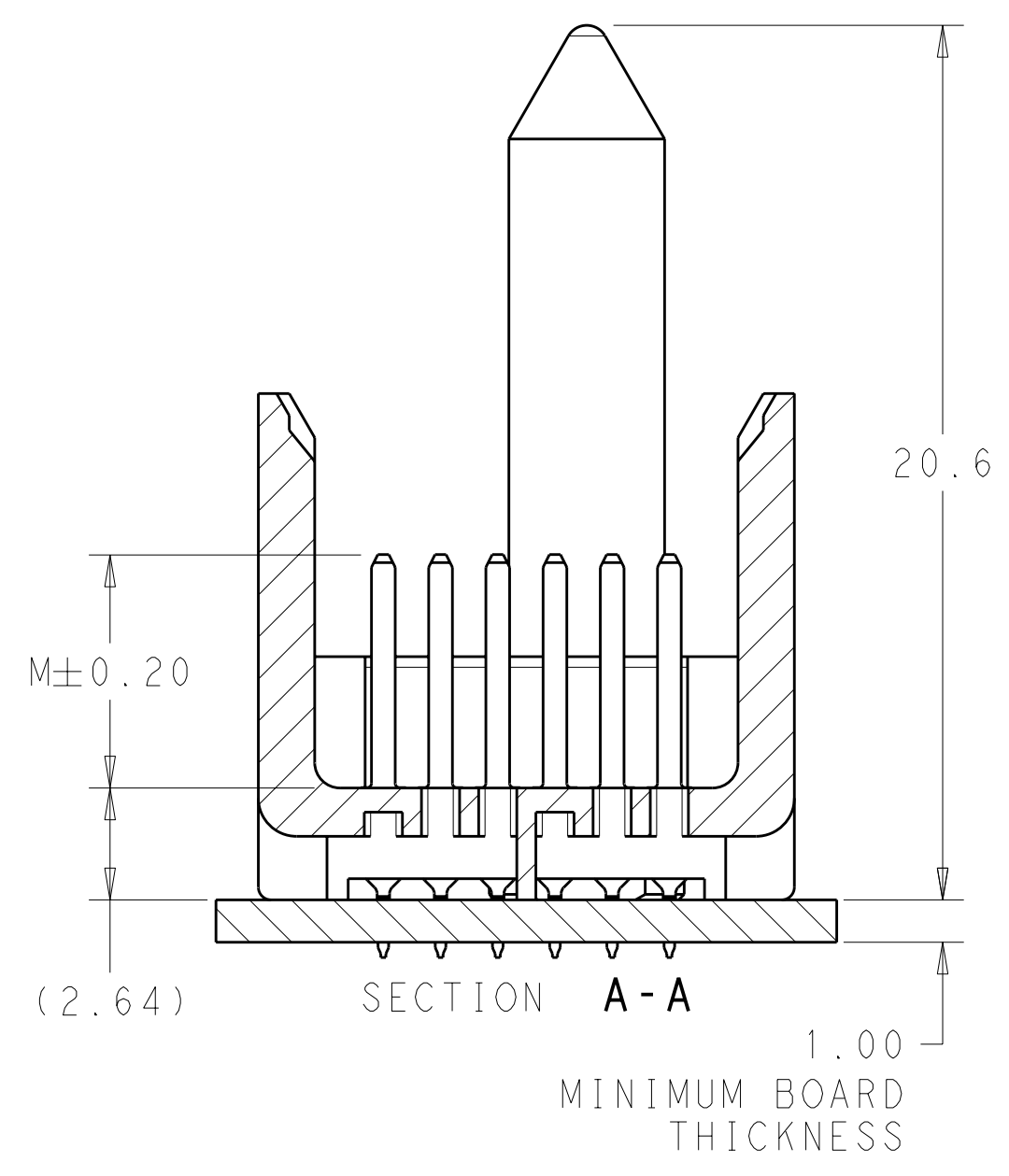
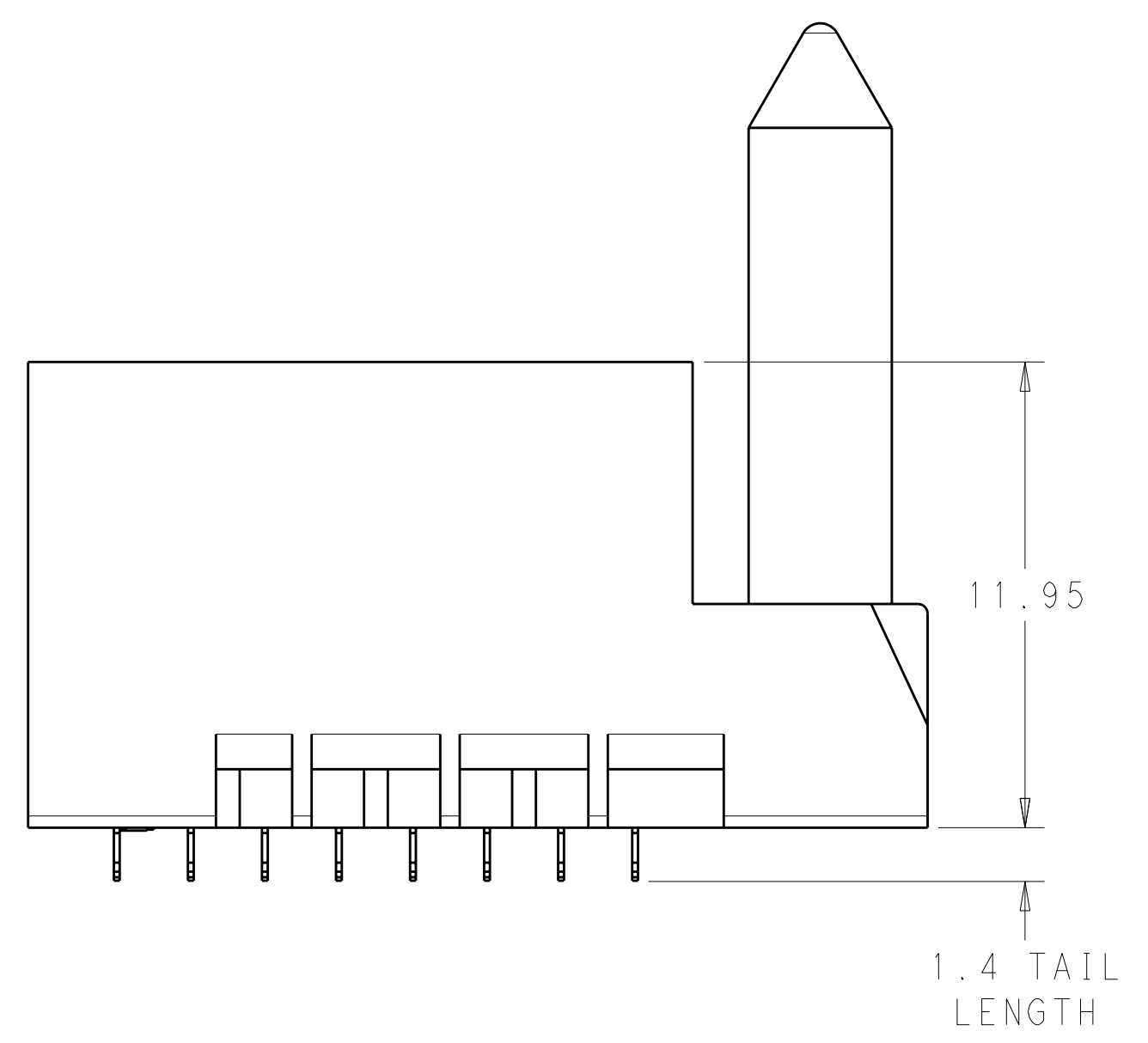
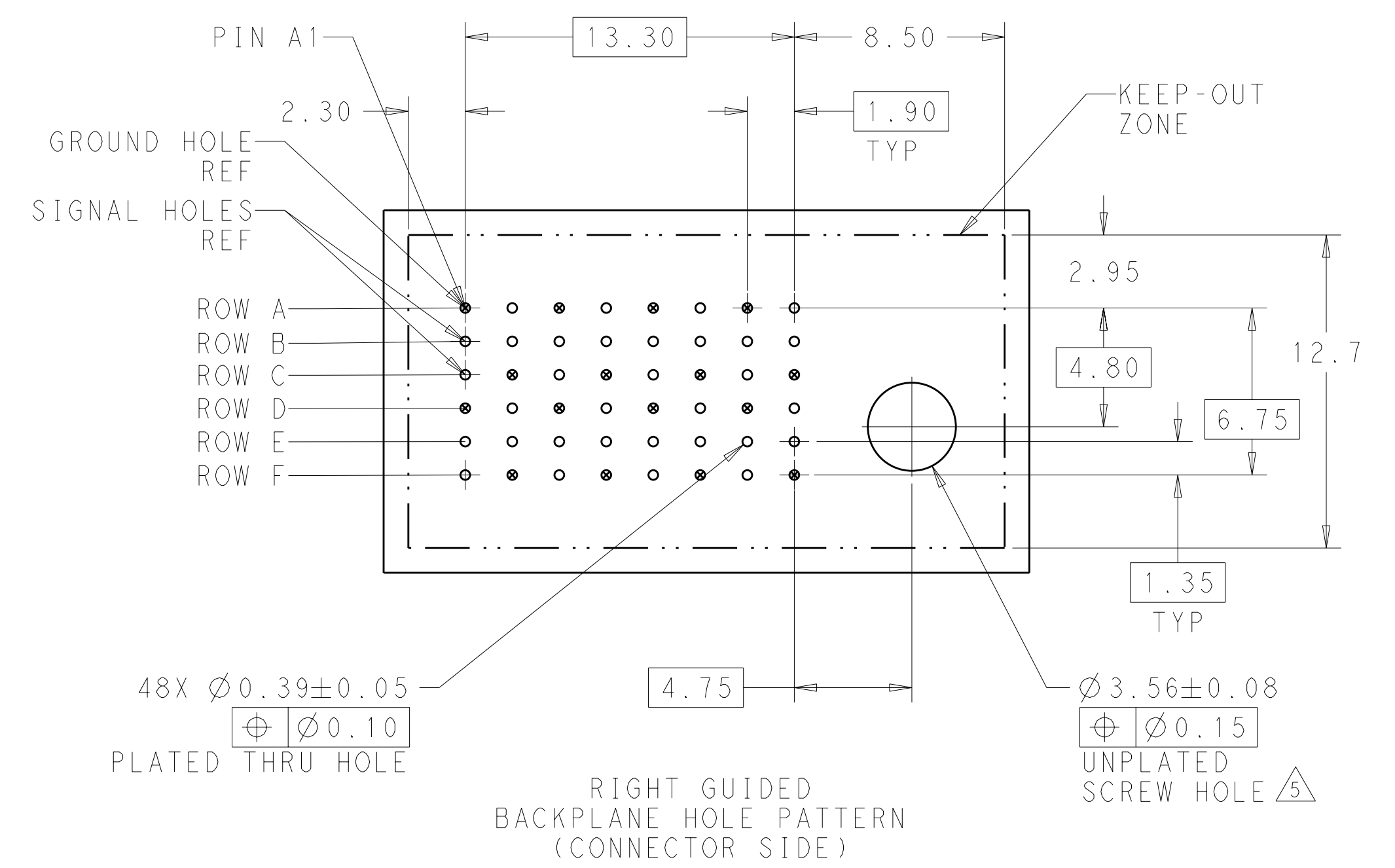


LOC	DIST	REV	DATE	BY	APPD
AD	00	B	11JAN12	KH	DY
REVISIONS			DESCRIPTION	DATE	DWN
B			REVISED PER ECO-11-025276	11JAN12	KH



- 1 MATERIAL:
HOUSING: LCP, GLASS FILLED, UL94V-0.
TERMINALS: HIGH PERFORMANCE COPPER ALLOY.
- 2 FINISH:
30μ" MIN GOLD IN CONTACT AREA. SELECTIVE TIN ON PCB TAILS, NICKEL OVERALL.
- 3 FINISH:
30μ" MIN GOLD IN CONTACT AREA. SELECTIVE TIN-LEAD ON PCB TAILS, NICKEL OVERALL.
- 4. SCREWS PACKAGED IN END OF PACKAGING TUBE.
- 5 FOR GROUNDED GUIDE PIN USE $\varnothing 3.56 \pm 0.08$ PTH, $\varnothing 3.66$ DRILL, AND $\varnothing 6.5$ PAD.




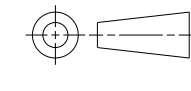
THIS DRAWING IS A CONTROLLED DOCUMENT.		DWN	27APR2011	STE TE Connectivity									
DIMENSIONS:		CHK	J. EABY 27APR2011										
mm		APPD	J. EABY 27APR2011										
<table border="1"> <tr> <td>9 PLC</td> <td>±</td> </tr> <tr> <td>1 PLC</td> <td>±0.25</td> </tr> <tr> <td>5 PLC</td> <td>±0.13</td> </tr> <tr> <td>4 PLC</td> <td>±</td> </tr> <tr> <td>ANGLES</td> <td>±</td> </tr> </table>		9 PLC	±		1 PLC	±0.25	5 PLC	±0.13	4 PLC	±	ANGLES	±	NAME
9 PLC	±												
1 PLC	±0.25												
5 PLC	±0.13												
4 PLC	±												
ANGLES	±												
MATERIAL		PRODUCT SPEC	APPLICATION SPEC	SIZE	CAGE CODE	DRAWING NO	RESTRICTED TO						
FINISH		SEE TABLE	WEIGHT	A1100779	C=2057727								
CUSTOMER DRAWING		SCALE		6:1	SHEET	1 OF 2	REV	B					

THIS DRAWING IS UNPUBLISHED. RELEASED FOR PUBLICATION 20
 © COPYRIGHT 20 . . . ALL RIGHTS RESERVED.

LOC	DIST	REVISIONS					
AD	00	P	LTB	DESCRIPTION	DATE	DWN	APVD
		-	-	SEE SHEET 1	-	-	-

FINISH	DIM M	PART NUMBER
\triangle_3	5.5	2057727-6
\triangle_3	4.9	2057727-5
\triangle_3	4.5	2057727-4
\triangle_2	5.5	2057727-3
\triangle_2	4.9	2057727-2
\triangle_2	4.5	2057727-1

REFER TO WWW.TE.COM
FOR PRODUCT AVAILABILITY

THIS DRAWING IS A CONTROLLED DOCUMENT.		DWN	27APR2011	 TE Connectivity
DIMENSIONS:		CHK	27APR2011	
mm	TOLERANCES UNLESS OTHERWISE SPECIFIED:	APVD	J. EABY 27APR2011	NAME
	0 PLC ±	PRODUCT SPEC		IMPACT, 2 PAIR, 8 COLUMN, HEADER
	1 PLC ±0.25	APPLICATION SPEC		RIGHT GUIDED, LEFT END WALL
	2 PLC ±0.13	WEIGHT		SIGNAL MODULE, 0.39 PTH
	3 PLC ±	CUSTOMER DRAWING		SIZE CAGE CODE DRAWING NO RESTRICTED TO
	4 PLC ±	SCALE	5:1	A100779C=2057727
	ANGLES ±	SHEET	2	OF 2
MATERIAL	FINISH	REV	B	
	SEE TABLE			