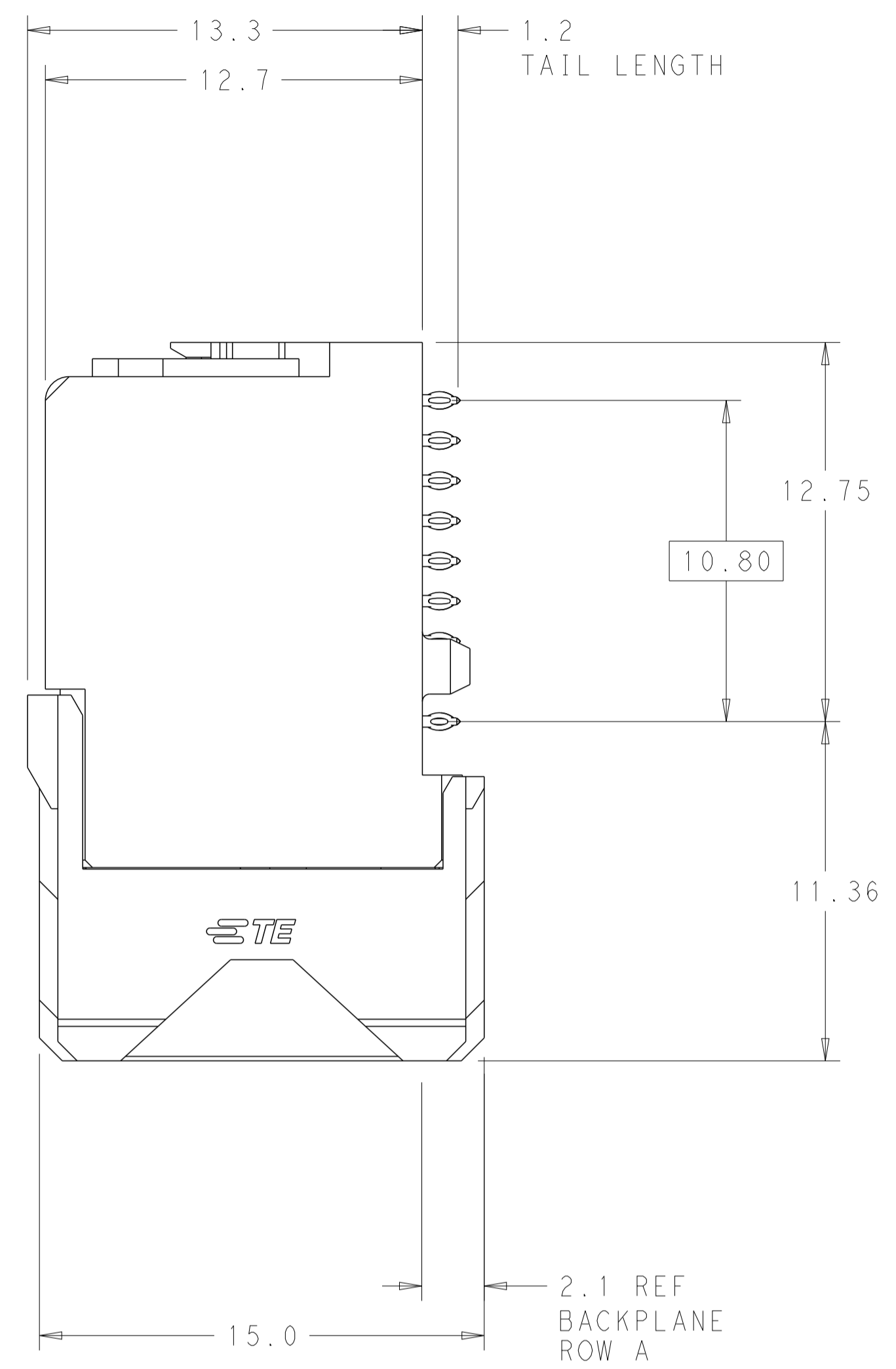
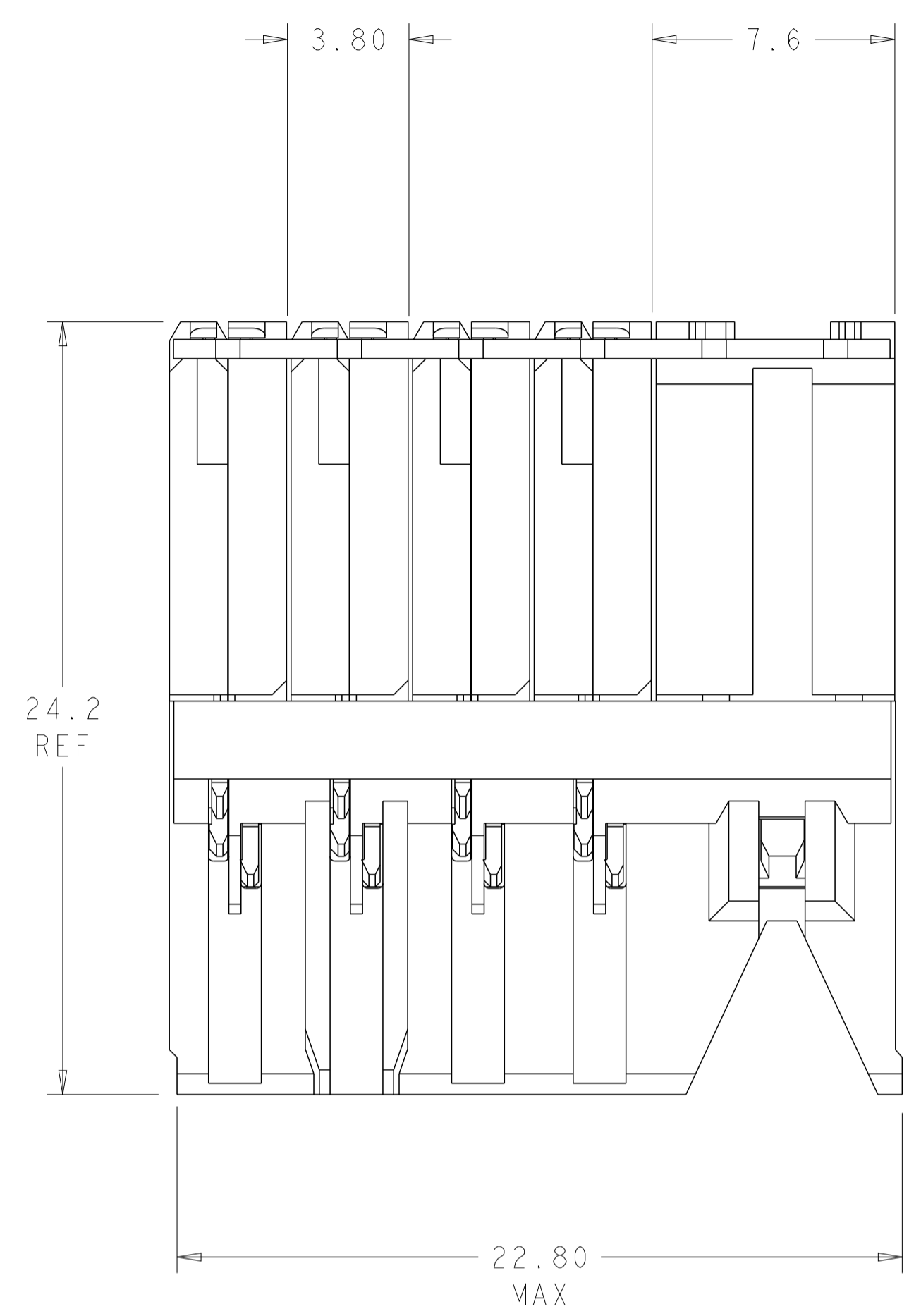
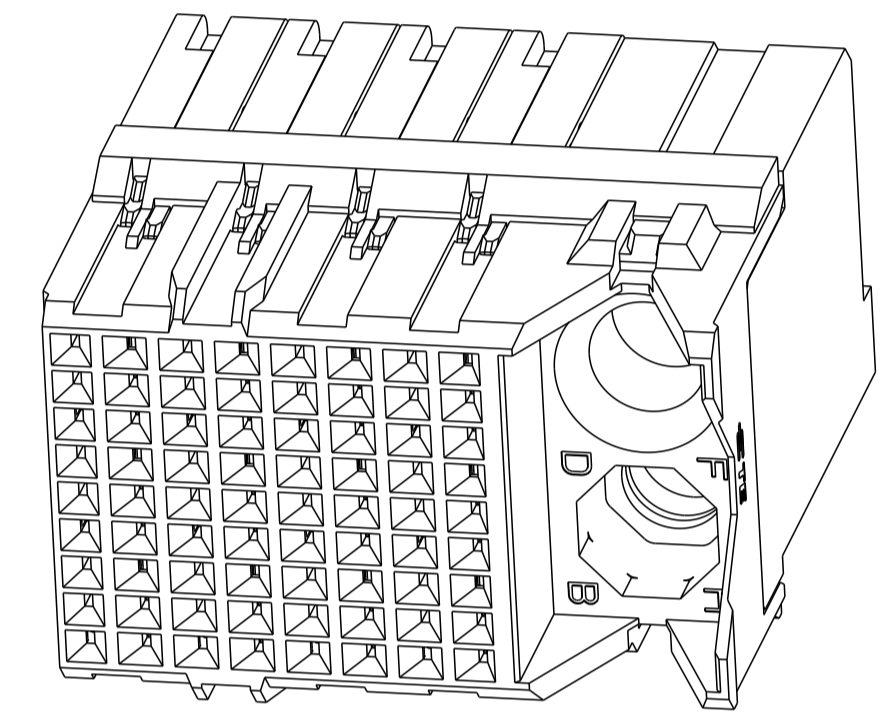


LOC		DIST		REVISIONS			
P	LTN	DESCRIPTION	DATE	DWN	APVD		
C1		REVISED PER ECO-14-018035	11MAR2015	AP	DD		
C2		REVISED PER ECN-24-252171	07MAR2024	AP	RS		

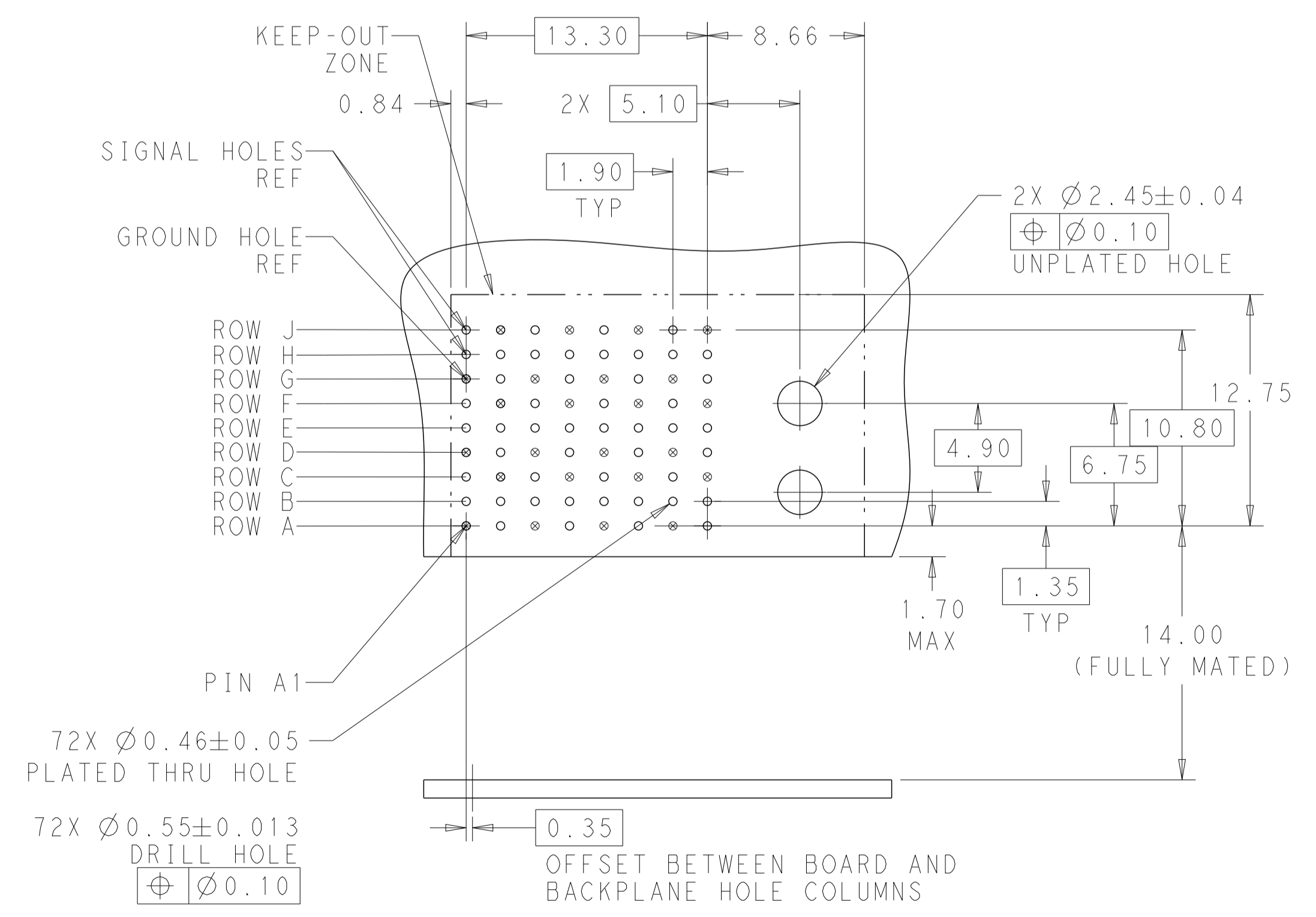
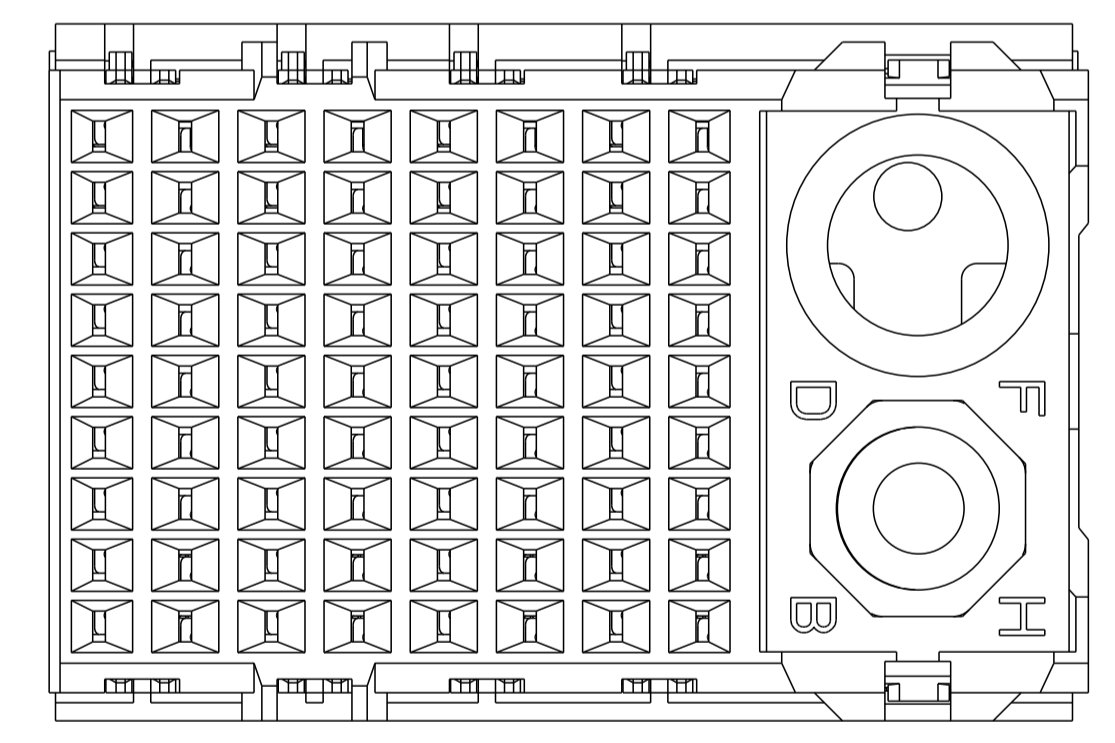


- ⚠ MATERIAL:
 HOUSING: LCP, GLASS FILLED, UL94V-0.
 TERMINALS: HIGH PERFORMANCE COPPER ALLOY.
- ⚠ FINISH:
 30µ" SELECTIVE GOLD IN CONTACT AREA. SELECTIVE TIN ON PCB TAILS, NICKEL OVERALL.
- 3. CONNECTORS SUPPLIED WITH MOUNTING SCREWS.



SCALE 4:1

REFER TO WWW.TE.COM FOR PRODUCT AVAILABILITY



KEY POSITION CHART

NONE	
A	E
B	F
C	G
D	H

RECOMMENDED PCB LAYOUT
 MIN BOARD THICKNESS 1.0

KEY POSITION	FINISH	PART NUMBER
H	⚠	8-2057689-1
G	⚠	7-2057689-1
F	⚠	6-2057689-1
E	⚠	5-2057689-1
D	⚠	4-2057689-1
C	⚠	3-2057689-1
B	⚠	2-2057689-1
A	⚠	1-2057689-1
NONE	⚠	2057689-1

THIS DRAWING IS A CONTROLLED DOCUMENT.

DWN: B. CARBO 05JAN2011
 CHK: D. DIXON 05JAN2011
 APVD: D. DIXON 05JAN2011

TE Connectivity

NAME: IMPACT, 3 PAIR, DAUGHTERCARD 8 COLUMN, RIGHT GUIDED, SIGNAL MODULE, 0.46 EYELET

SIZE: A1 00779 C=2057689

SCALE: 6:1 SHEET: 1 OF 1 REV: C2