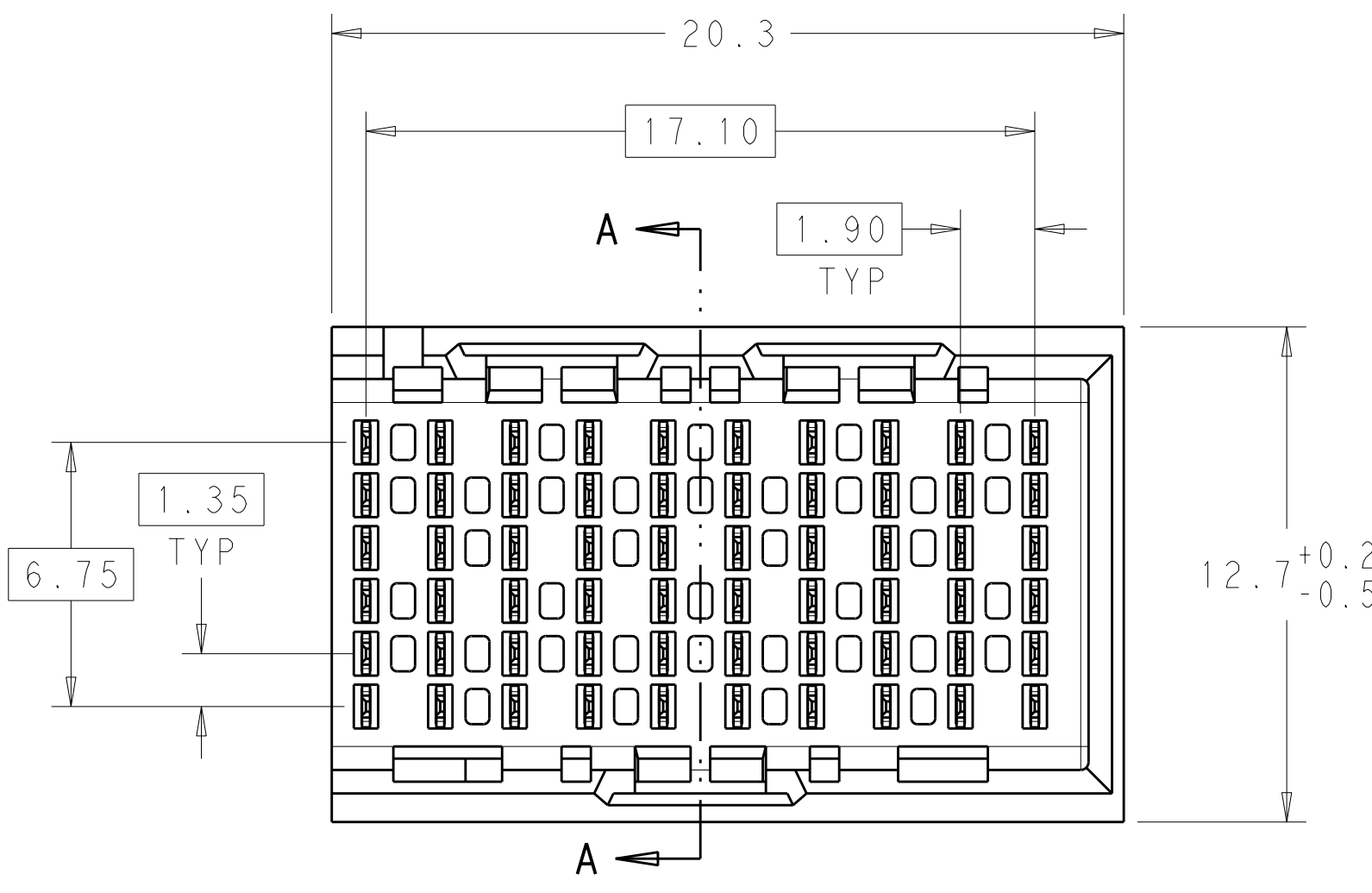
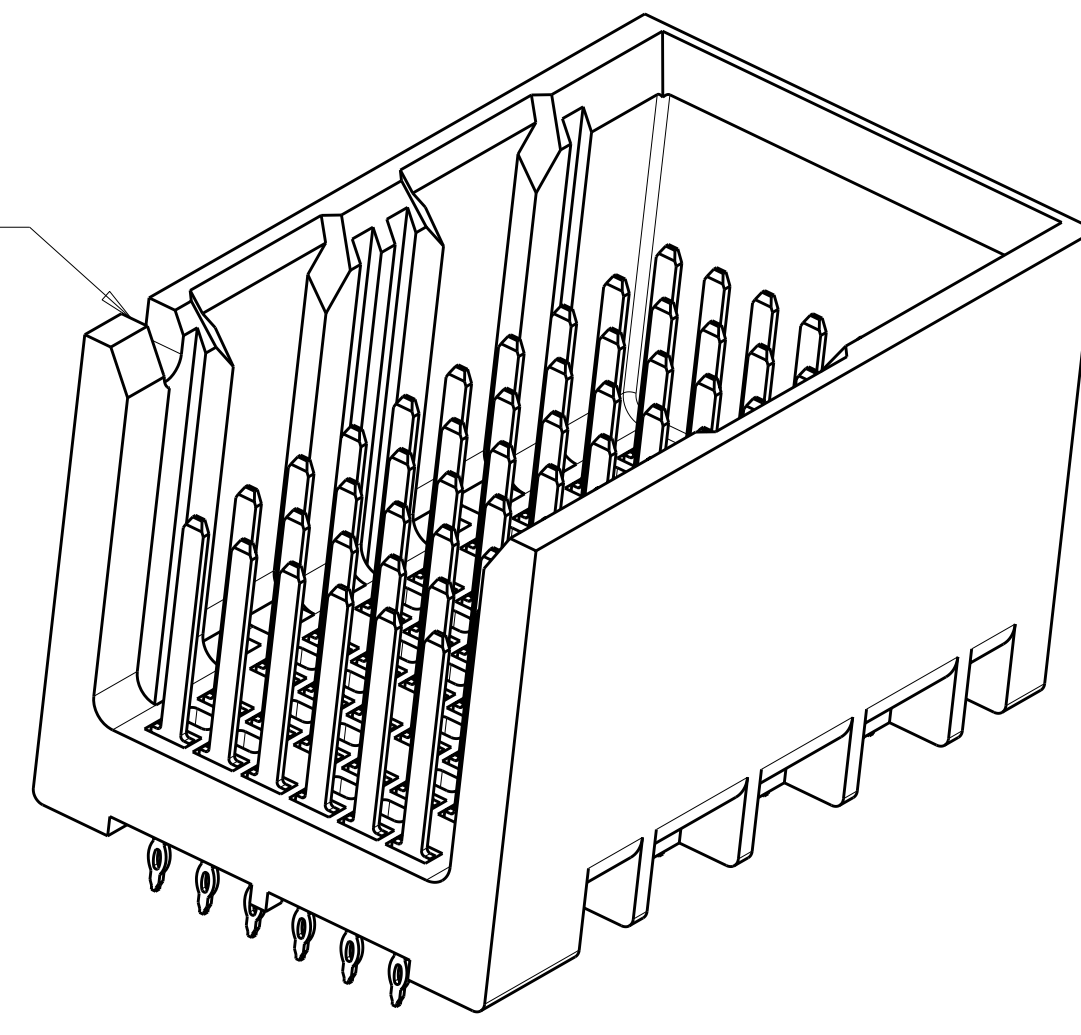


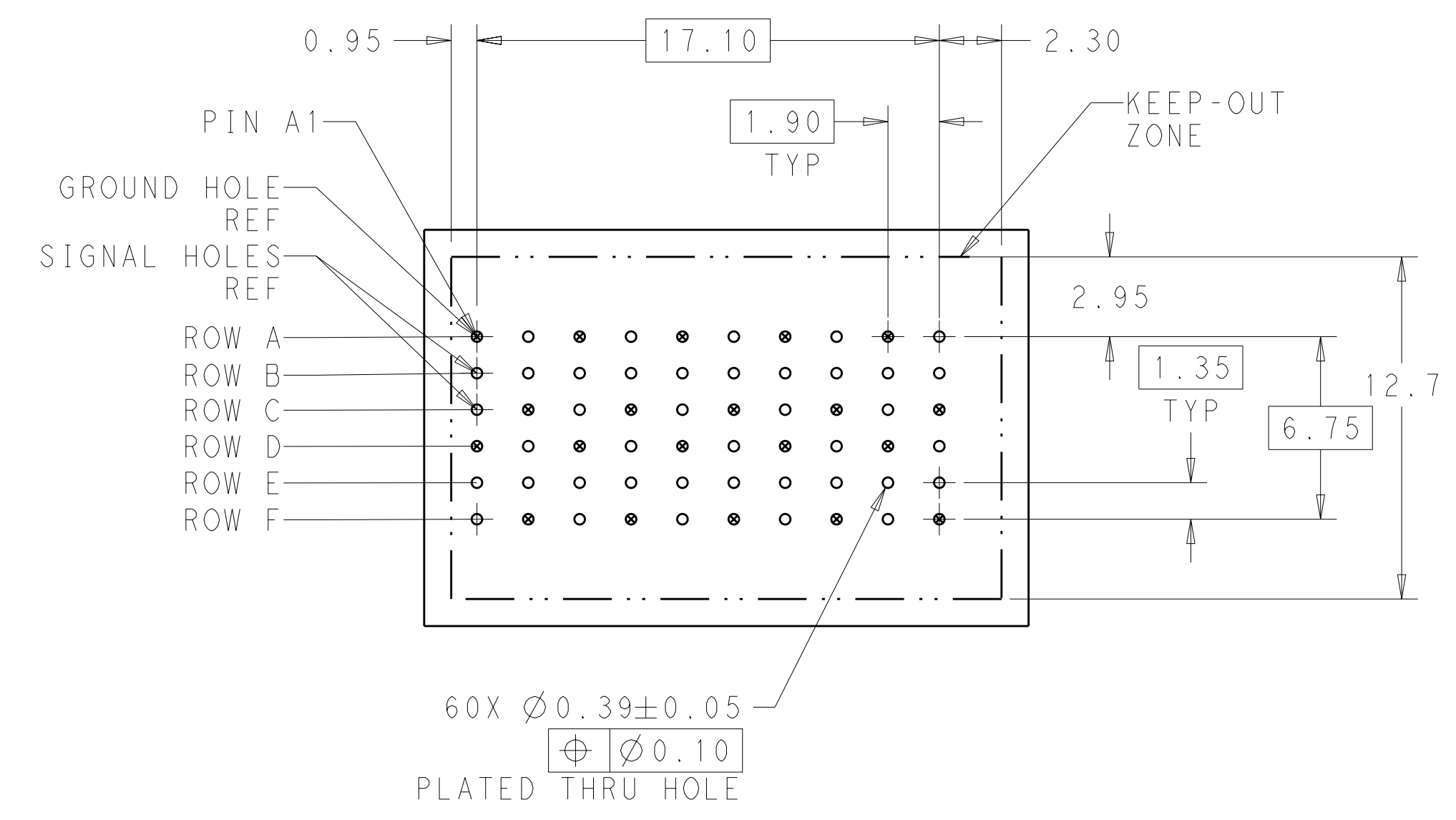
LOC	DIST	REV	DATE	BY	APPD
AD	00	B	05JAN12	KH	DY
REVISIONS			DESCRIPTION	DATE	DWN
B			REVISED PER ECO-11-025276	05JAN12	KH



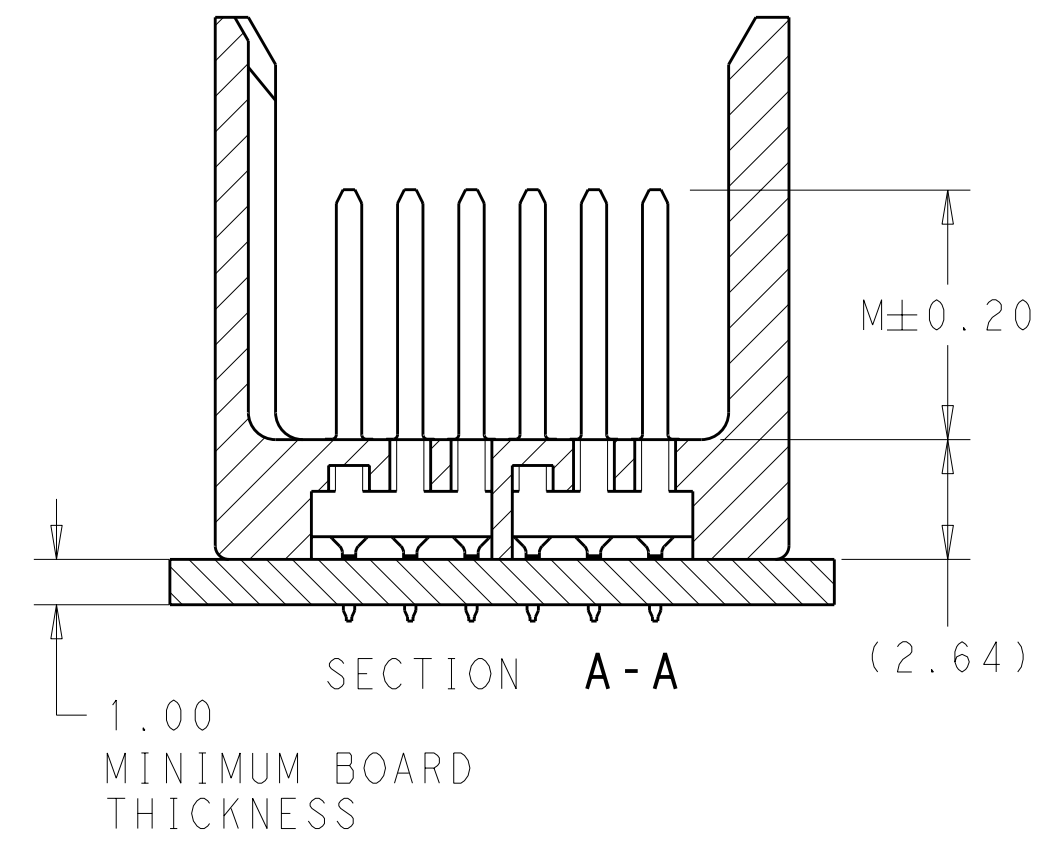
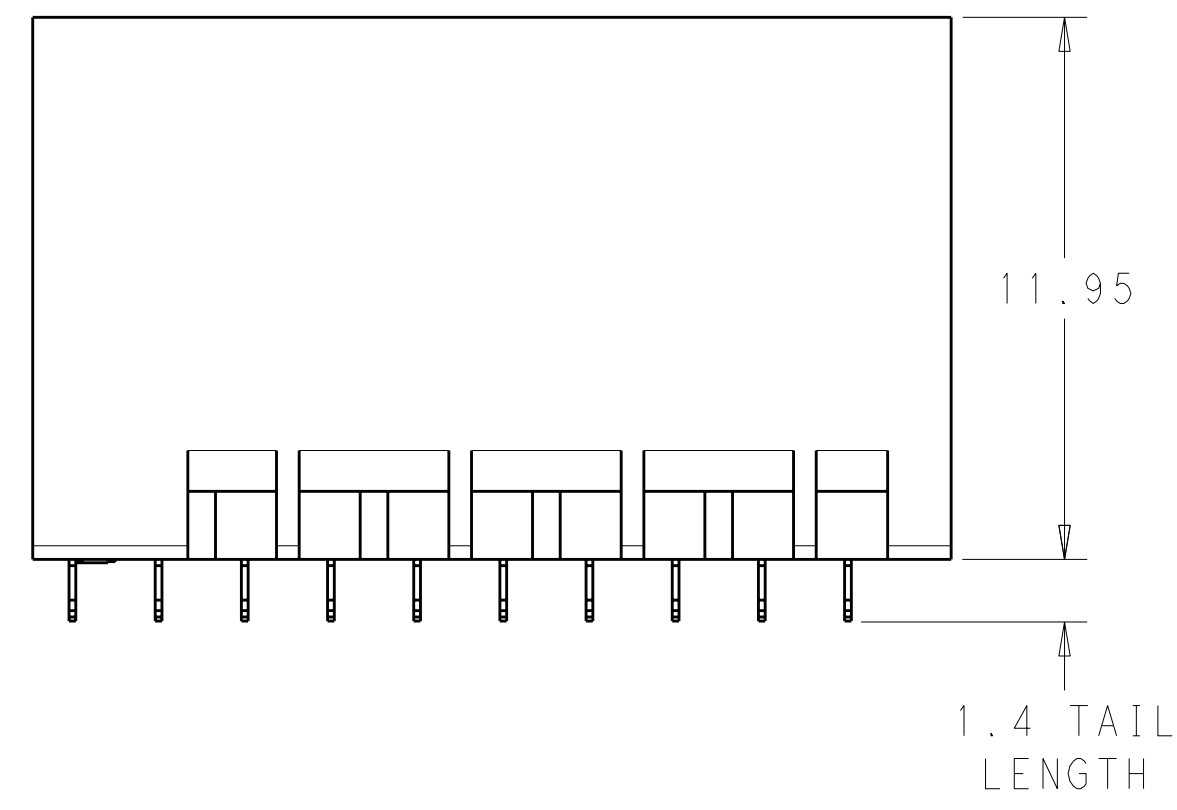
NOTCH DESIGNATES ROW A



- 1 MATERIAL:
HOUSING: LCP, GLASS FILLED, UL94V-0.
TERMINALS: HIGH PERFORMANCE COPPER ALLOY.
- 2 FINISH:
30μ" MIN GOLD IN CONTACT AREA. SELECTIVE TIN
ON PCB TAILS, NICKEL OVERALL.
- 3 FINISH:
30μ" MIN GOLD IN CONTACT AREA. SELECTIVE TIN-LEAD
ON PCB TAILS, NICKEL OVERALL.



UNGUIDED
BACKPLANE HOLE PATTERN
(CONNECTOR SIDE)




THIS DRAWING IS A CONTROLLED DOCUMENT.		DWN J. K. SHOBER 31JAN2011	TE Connectivity												
DIMENSIONS: mm		CHK J. EBY 31JAN2011													
TOLERANCES UNLESS OTHERWISE SPECIFIED:		APVD J. EBY 31JAN2011	NAME IMPACT, 2 PAIR, 10 COLUMN, HEADER UNGUIDED, RIGHT END WALL SIGNAL MODULE, 0.39 PTH												
<table border="1"> <tr> <td>9 PLC</td> <td>±</td> </tr> <tr> <td>1 PLC</td> <td>±0.25</td> </tr> <tr> <td>3 PLC</td> <td>±0.13</td> </tr> <tr> <td>5 PLC</td> <td>±</td> </tr> <tr> <td>4 PLC</td> <td>±</td> </tr> <tr> <td>ANGLES</td> <td>±</td> </tr> </table>		9 PLC	±	1 PLC	±0.25	3 PLC	±0.13	5 PLC	±	4 PLC	±	ANGLES	±	PRODUCT SPEC	SIZE CAGE CODE DRAWING NO. RESTRICTED TO
9 PLC	±														
1 PLC	±0.25														
3 PLC	±0.13														
5 PLC	±														
4 PLC	±														
ANGLES	±														
MATERIAL		APPLICATION SPEC	A100779C=2057433												
FINISH SEE TABLE		WEIGHT	CUSTOMER DRAWING												
		SCALE 6:1	SHEET 1 OF 2 REV B												

THIS DRAWING IS UNPUBLISHED. RELEASED FOR PUBLICATION 20
 © COPYRIGHT 20 . . . ALL RIGHTS RESERVED.

LOC	DIST	REVISIONS					
AD	00	P	LTB	DESCRIPTION	DATE	DWN	APVD
		-	-	SEE SHEET 1	-	-	-

FINISH	DIM M	PART NUMBER
△3	5.5	2057433-6
△3	4.9	2057433-5
△3	4.5	2057433-4
△2	5.5	2057433-3
△2	4.9	2057433-2
△2	4.5	2057433-1

REFER TO WWW.TE.COM
 FOR PRODUCT AVAILABILITY

THIS DRAWING IS A CONTROLLED DOCUMENT.		DWN J. K. SHOBER 31JAN2011	 TE Connectivity
DIMENSIONS: mm		CHK J. EABY 31JAN2011	
TOLERANCES UNLESS OTHERWISE SPECIFIED:		APVD J. EABY 31JAN2011	NAME
0 PLC ±	1 PLC ±0.25	PRODUCT SPEC	IMPACT, 2 PAIR, 10 COLUMN, HEADER
2 PLC ±0.13	3 PLC ±	APPLICATION SPEC	UNGUIDED, RIGHT END WALL
4 PLC ±	ANGLES ±	RESTRICTED TO	SIGNAL MODULE, 0.39 PTH
MATERIAL -	FINISH SEE TABLE	WEIGHT -	SIZE CAGE CODE DRAWING NO
CUSTOMER DRAWING		SCALE 5:1	SHEET 2 OF 2
		REV B	