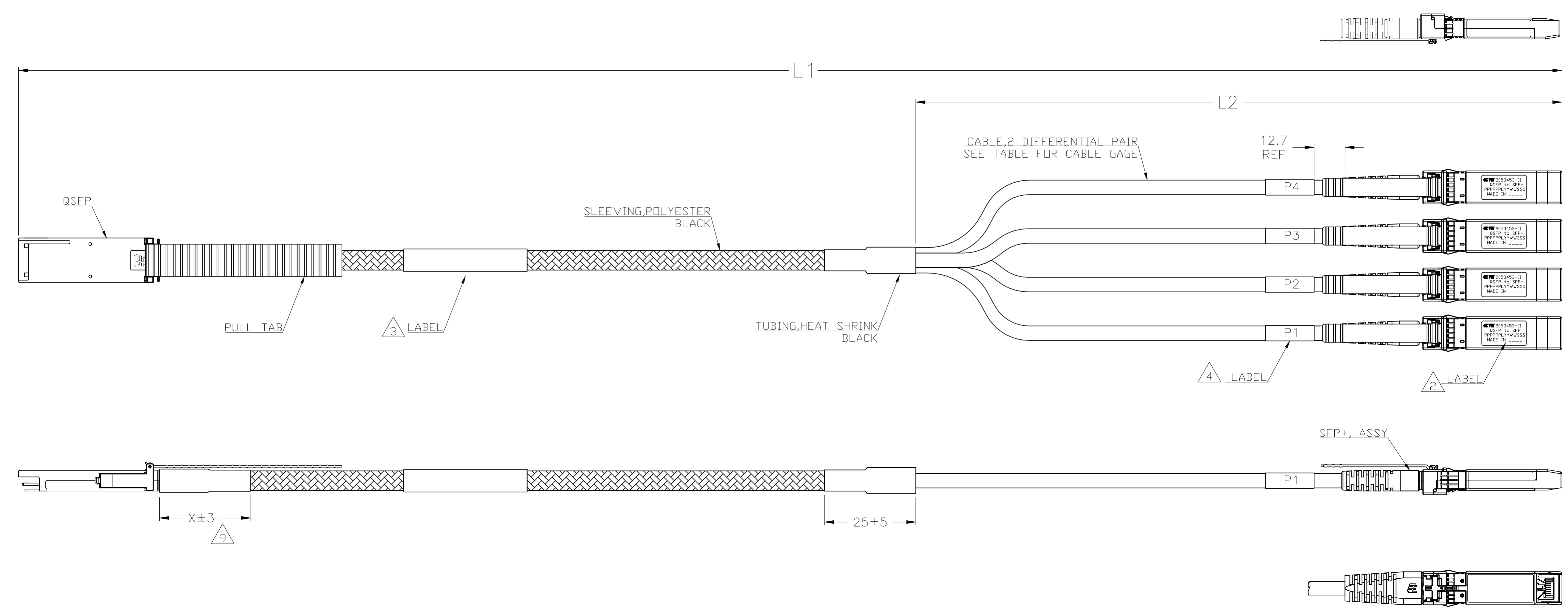
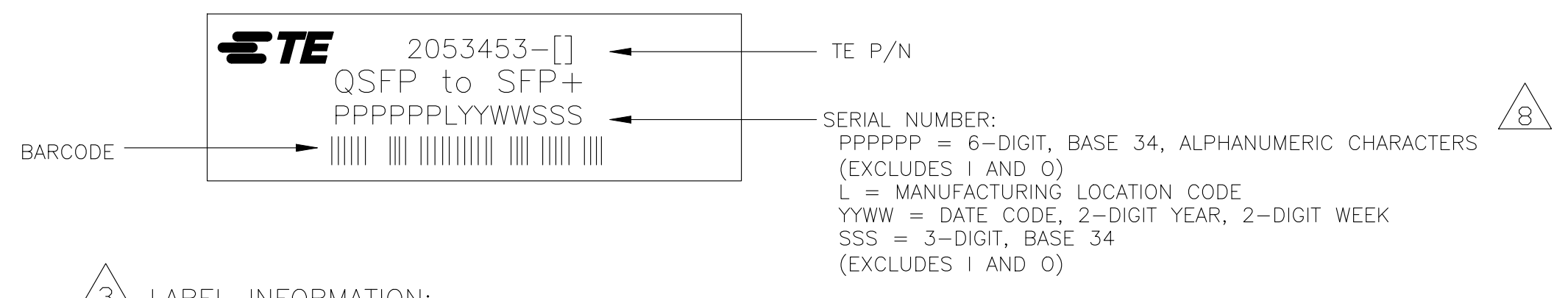


REVISIONS					
P	LTR	DESCRIPTION	DATE	DWN	APVD
N1		REVISED AS PER ECN-23-216911	09JUN2023	MT	GL

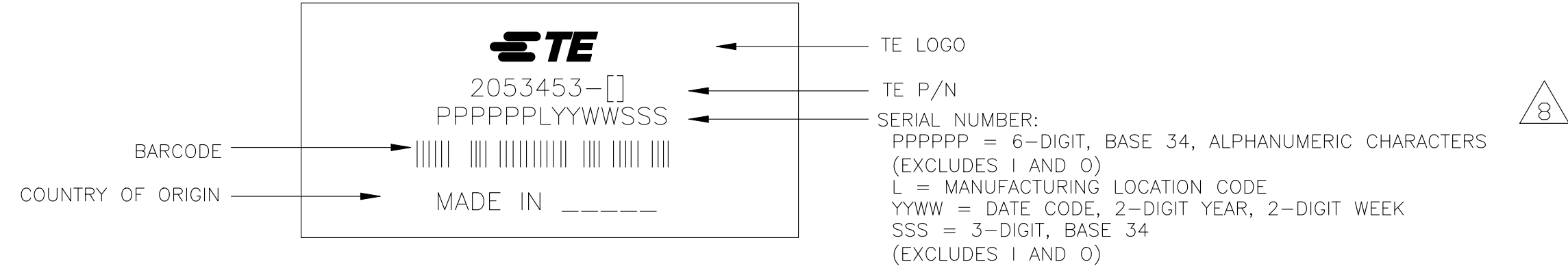


1. CHARACTERISTIC IMPEDANCE: 100±10 OHMS (MEASURED DIFFERENTIALLY)

2 LABEL INFORMATION:



3 LABEL INFORMATION:



4 LABEL INFORMATION:



5. CABLE ASSEMBLY TO BE TESTED FOR CONTINUITY, OPENS, SHORTS AND PROPER EEPROM PROGRAM.

6. SEE SHEET 2 FOR WIRING DIAGRAM.

7. PRODUCT AND PROCESSING MEETS THE REQUIREMENTS OF TE STANDARD TEC-138-702.

8 SERIAL NUMBER BEGINS WITH 001 AT THE BEGINNING OF EACH WEEK.

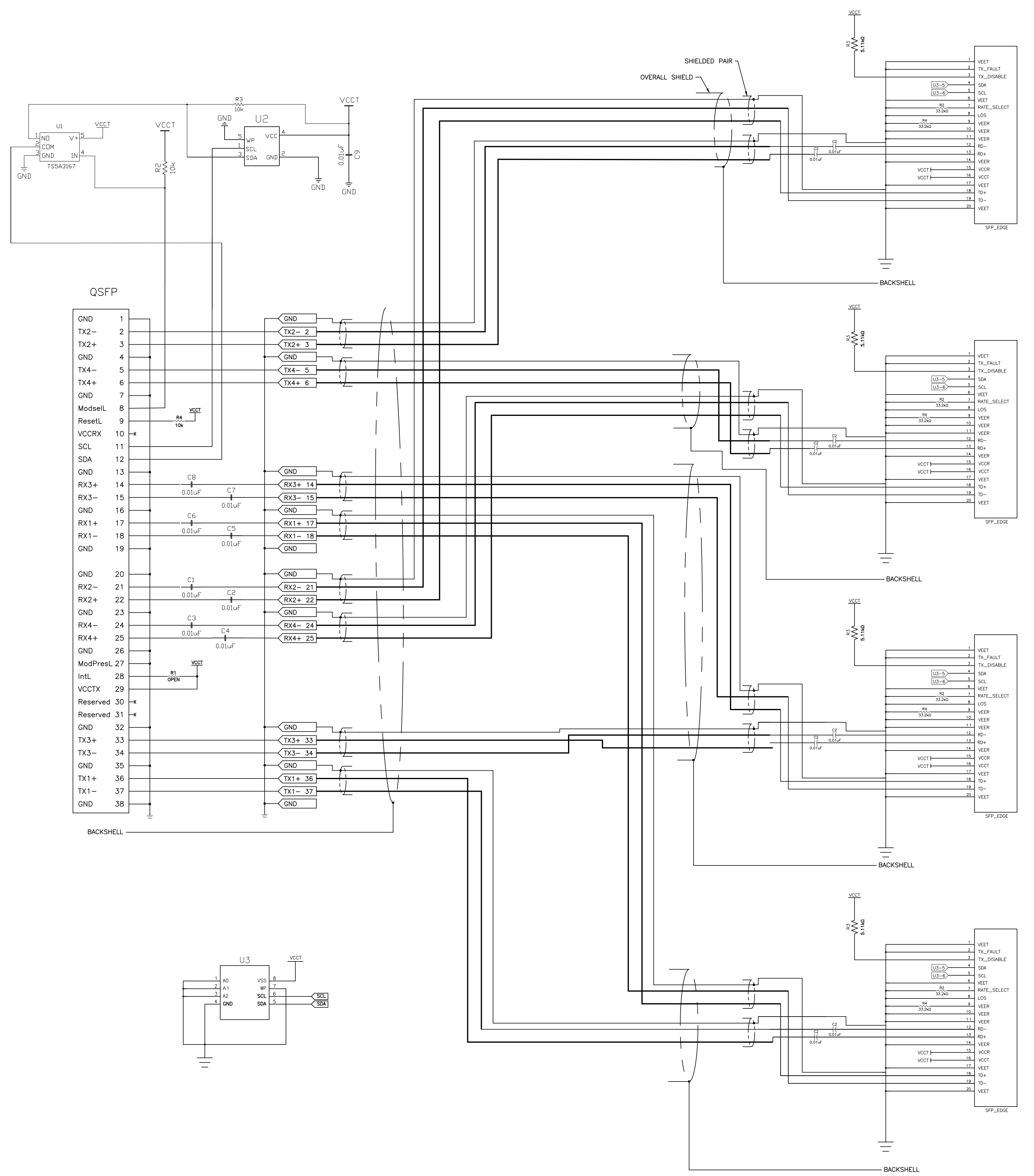
9 SEE TABLE FOR HEAT SHRINK TUBE LENGTH.

OBSOLETE	35	26 AWG	1000±25	4000 <sup>+80</sup> <sub>-0</sub>	1-2053453-3
OBSOLETE	35	26 AWG	1000±25	3500 <sup>+80</sup> <sub>-0</sub>	1-2053453-2
OBSOLETE	35	26 AWG	1000±25	3000 <sup>+80</sup> <sub>-0</sub>	1-2053453-1
OBSOLETE	35	26 AWG	1000±25	4500 <sup>+80</sup> <sub>-0</sub>	1-2053453-0
	50	30 AWG	1000±25	1500 <sup>+50</sup> <sub>-0</sub>	2053453-8
	50	30 AWG	1000±25	2500 <sup>+80</sup> <sub>-0</sub>	2053453-7
OBSOLETE	35	26 AWG	1000±25	5000 <sup>+80</sup> <sub>-0</sub>	2053453-6
	50	28 AWG	1000±25	4000 <sup>+80</sup> <sub>-0</sub>	2053453-5
	50	30 AWG	1000±25	3000 <sup>+80</sup> <sub>-0</sub>	2053453-4
	50	30 AWG	1000±25	2000 <sup>+80</sup> <sub>-0</sub>	2053453-3
	50	30 AWG	500±25	1000 <sup>+50</sup> <sub>-0</sub>	2053453-2
	50	30 AWG	250±25	500 <sup>+50</sup> <sub>-0</sub>	2053453-1
	"X"	CABLE GAGE	L2	L1	PART NO

THIS DRAWING IS A CONTROLLED DOCUMENT.

DIMENSIONS: mm	TOLERANCES UNLESS OTHERWISE SPECIFIED:	DIN 310CT2008	STE	TE Connectivity Ltd.
0. PLC ± -	1. PLC ± -	310CT2008	J. ELLISON	
2. PLC ± -	3. PLC ± -	310CT2008	J. ELLISON	
4. PLC ± -	ANGLES ± -			
MATERIAL	FINISH	WEIGHT	SIZE	CAGE CODE
		0	A1	00779
CUSTOMER DRAWING		SCALE	DRAWING NO	RESTRICTED TO
		1:1	C=2053453	1 of 2

REVISIONS				
P	LTR	DESCRIPTION	DATE	APVD
-	-	SEE SHEET 1	-	-



SFP+ P2

SFP+ P4

SFP+ P3

SFP+ P1

THIS DRAWING IS A CONTROLLED DOCUMENT.		DWG: EJ DU 31OCT2008	 TE Connectivity Ltd.
DIMENSIONS: mm		CHK: J ELLISON 31OCT2008	
		APVD: J ELLISON 31OCT2008	NAME: CABLE ASSEMBLY, QSFP to (4) SFP+
TOLERANCES UNLESS OTHERWISE SPECIFIED:		PRODUCT SPEC	
0. PLC ± - 1. PLC ± - 2. PLC ± - 3. PLC ± - 4. PLC ± - ANGLES ± -		APPLICATION SPEC	
MATERIAL: -		RESTRICTED TO: -	
FINISH: -		WEIGHT: -	
CUSTOMER DRAWING		SIZE: A1	CAGE CODE: 00779
SCALE: 1:1		DRAWING NO: C=2053453	REV: N1
SHEET 2 OF 2		REV: N1	