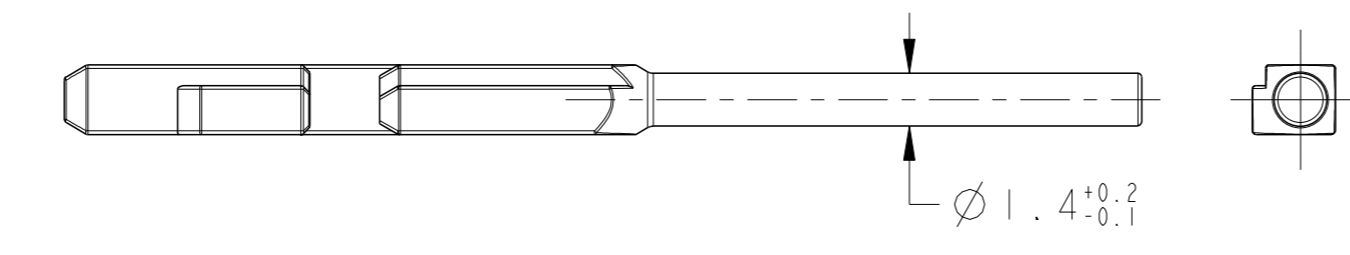
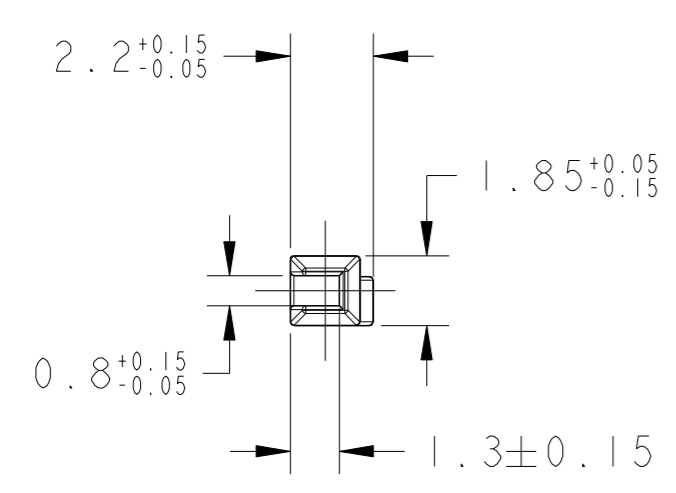
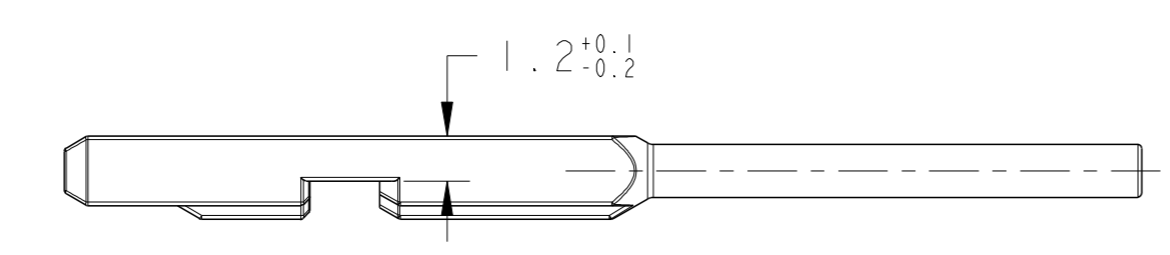
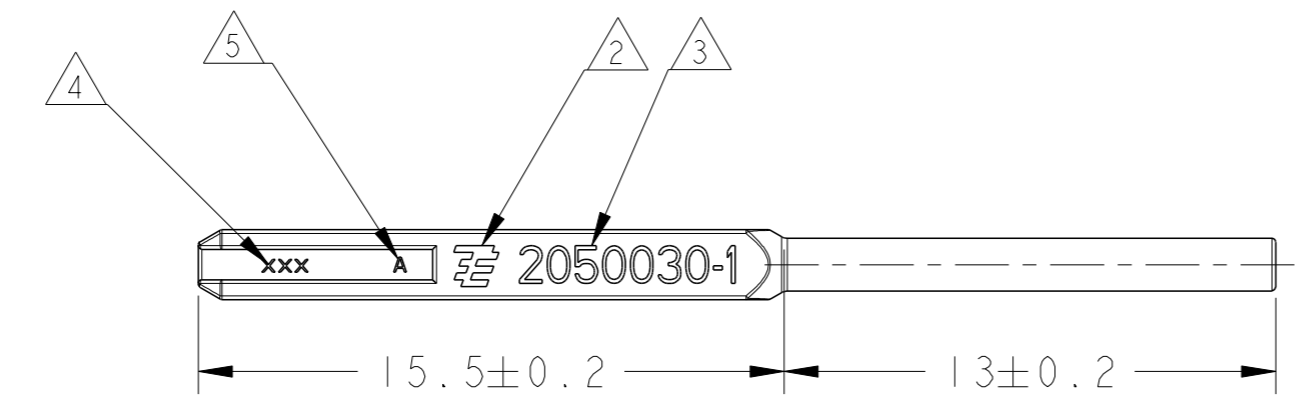


LOC	DIST	REVISIONS					
		P	LTR	DESCRIPTION	DATE	DWN	APVD
ES	00		A	RELEASED	05JAN13	JZ	WY



NOTE
 1 CHARACTERS ACC. TO DIN 1451-H0.5/1, CHARACTERS 0.1 RECEDE
 2 TE LOGO, ACC. TO TE SPEC 1-15994-2
 3 TE PART NUMBER, EXCHANGEABLE
 4 CAVITY MARKING, RECEDE
 5 RECISION STATUS OF THE MOULD, .A..B.....C ETC..MAX.0.1 RAISED
 6 COLOR: BLACK

- 1 AS SHOWN

THIS DRAWING IS A CONTROLLED DOCUMENT.		DWN J. ZHANG	05JAN13	TE Connectivity	
DIMENSIONS: mm		CHK Z. ZHOU	05JAN13		
TOLERANCES UNLESS OTHERWISE SPECIFIED: ACC. TO DIN 16901-120		APVD W. YUAN	05JAN13	NAME MGS-CLEAN-BODY SEALING PLUG	
0 PLC ± 1 PLC ±0.5 2 PLC ±0.13 3 PLC ±0.013 4 PLC ±0.0001° ANGLES ±1° FINISH		PRODUCT SPEC		SIZE A200779	
MATERIAL PA66 GF30		APPLICATION SPEC		DRAWING NO C=2050030	
		WEIGHT		RESTRICTED TO	
		CUSTOMER DRAWING		SCALE 5:1 SHEET 1 OF 1 REV A	