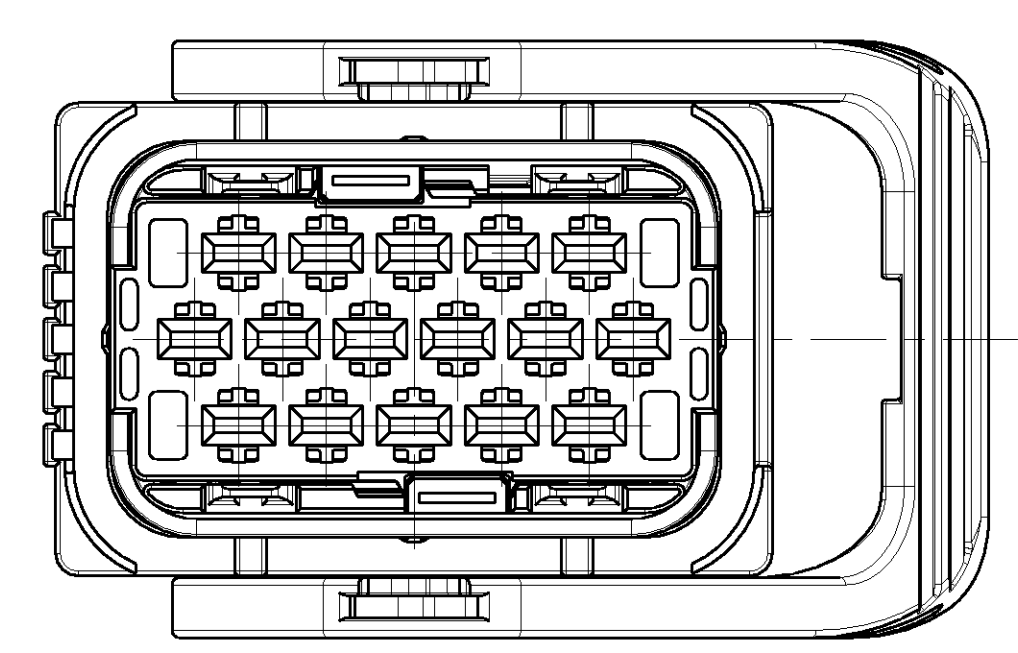
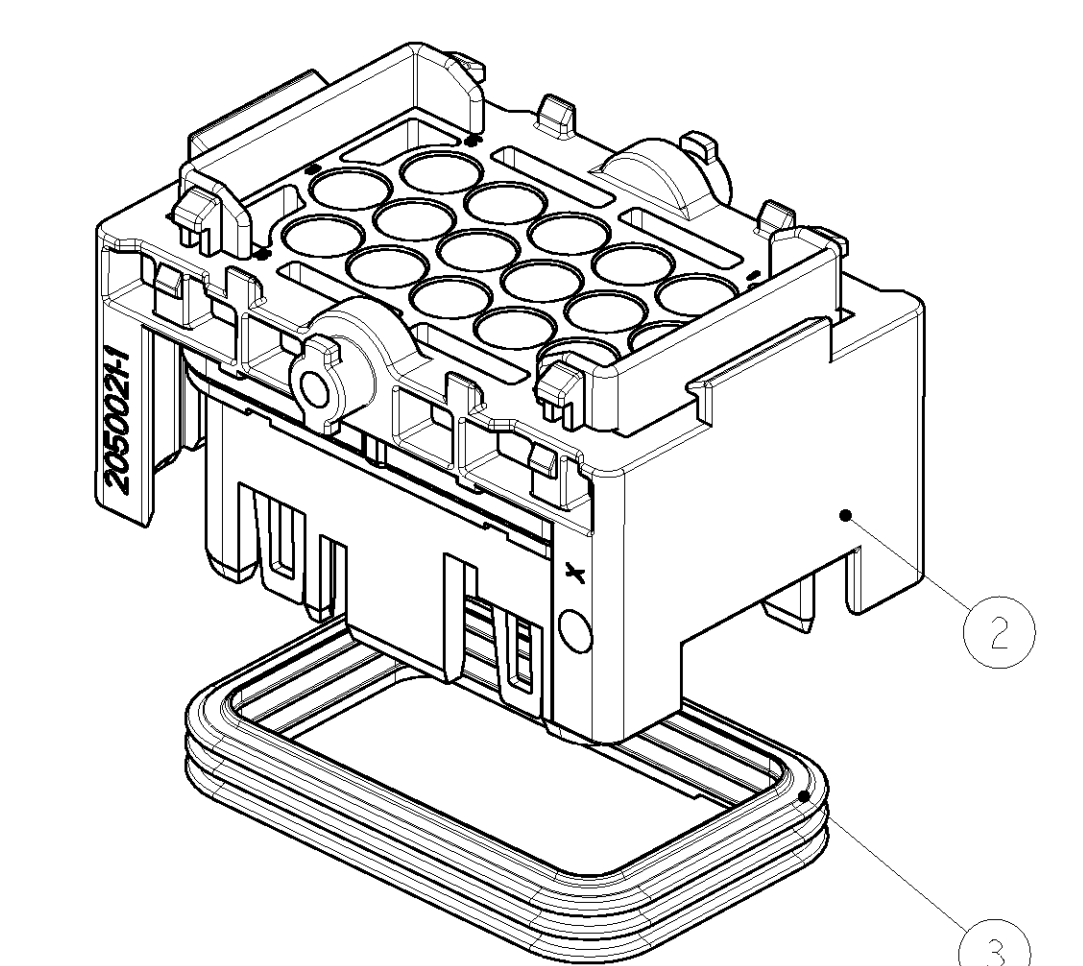
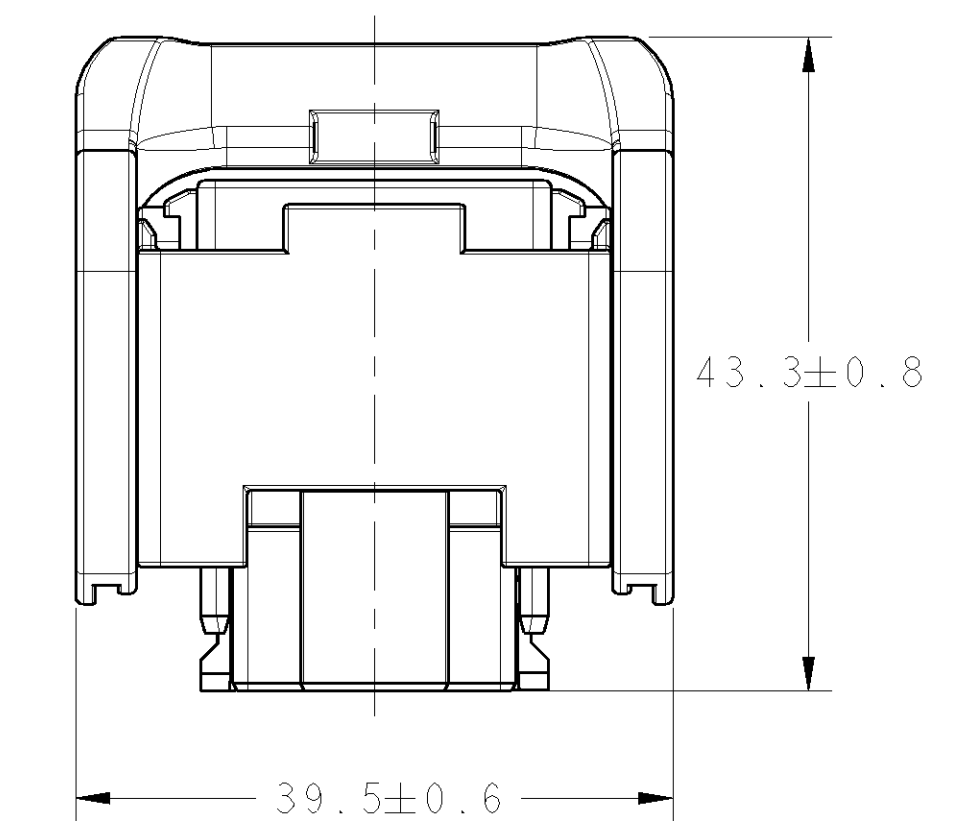
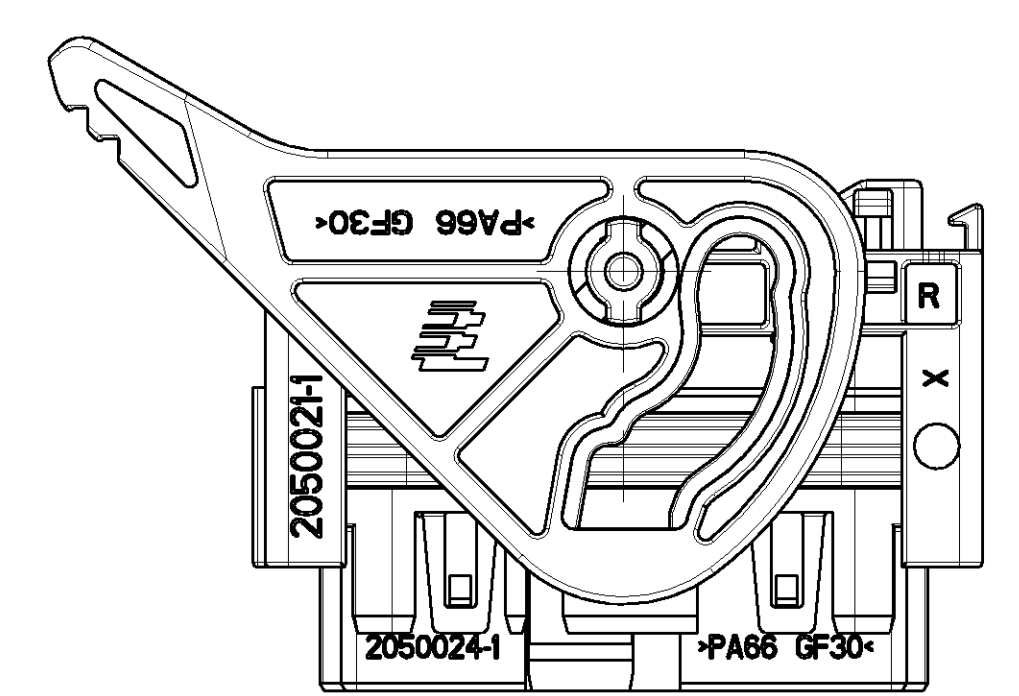
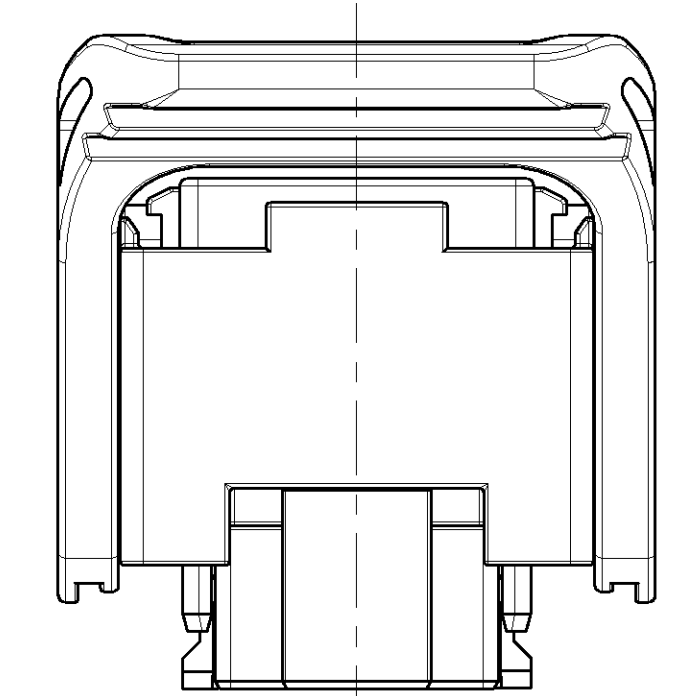
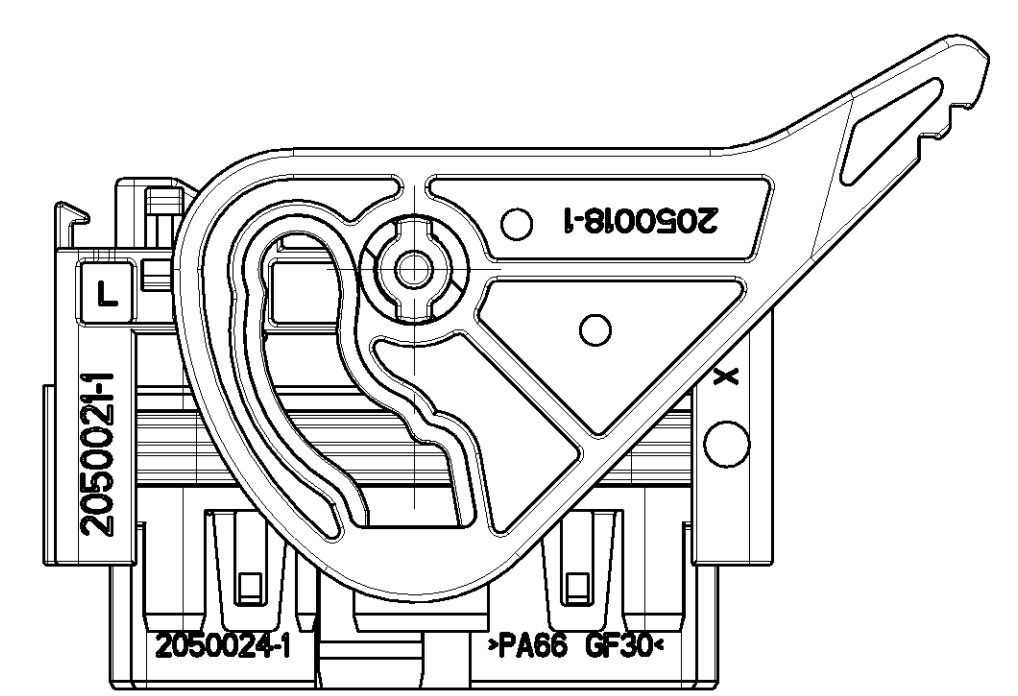
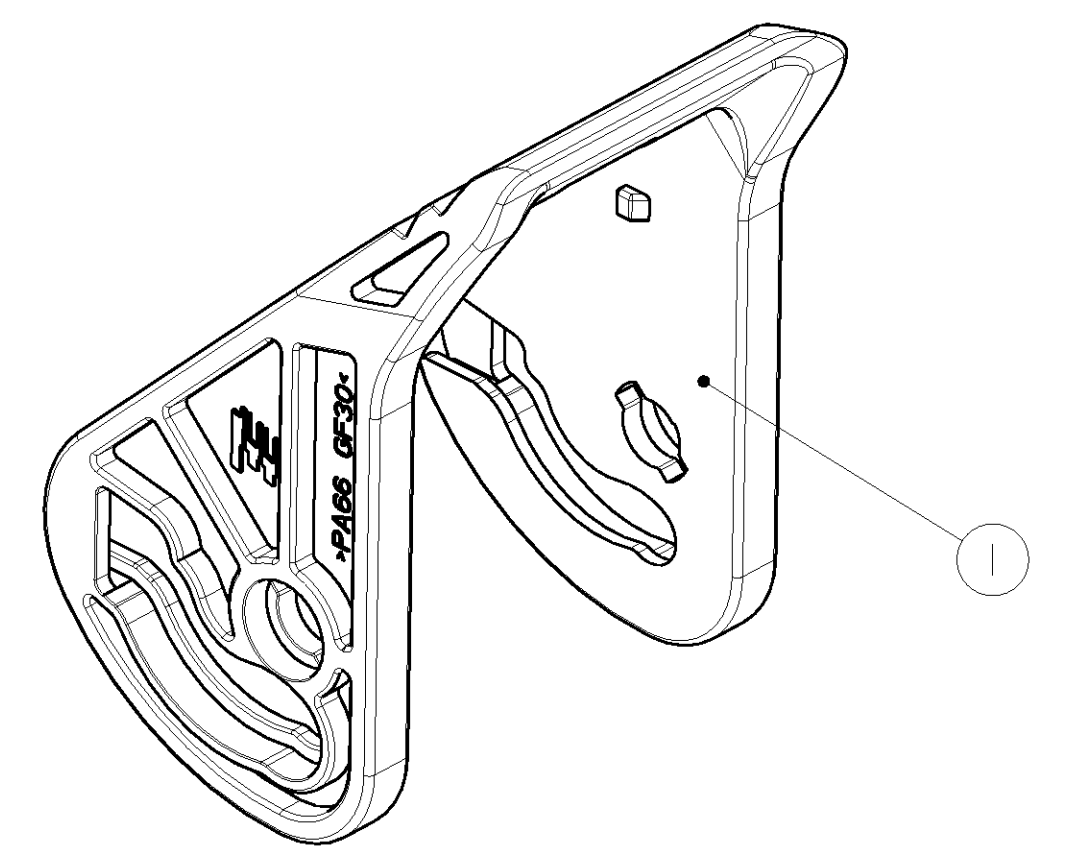
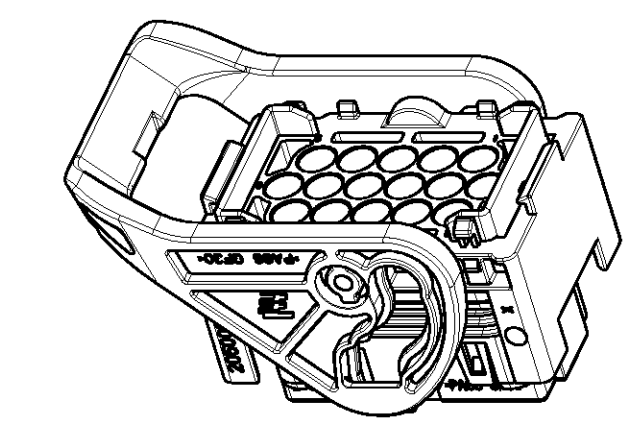
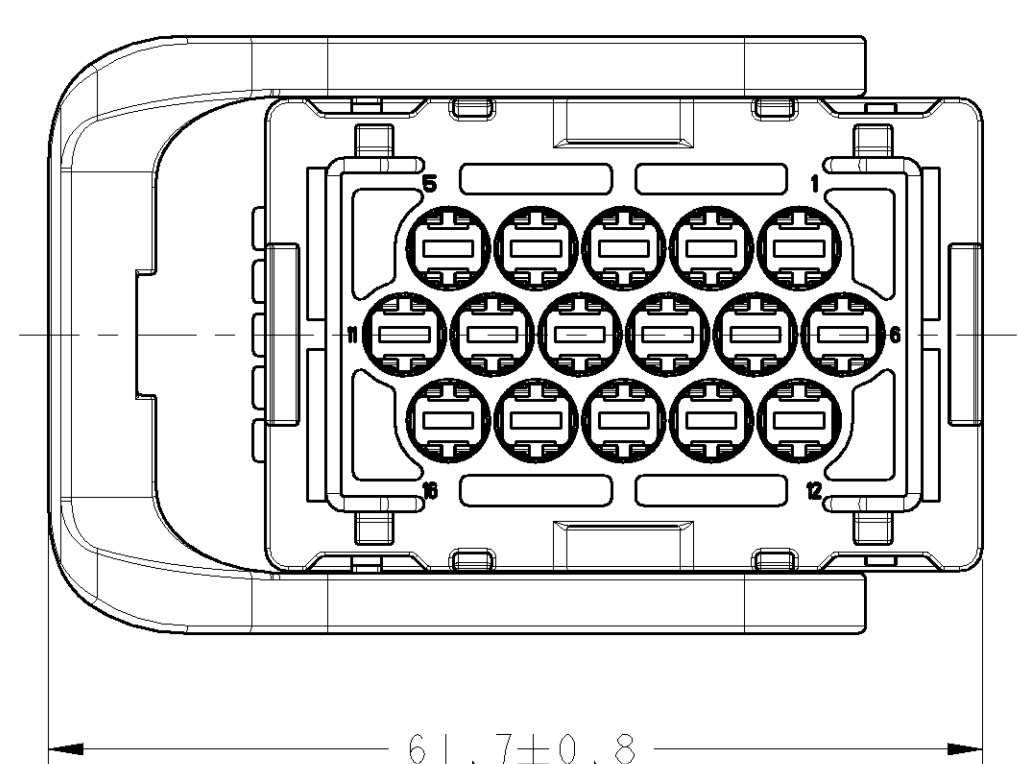
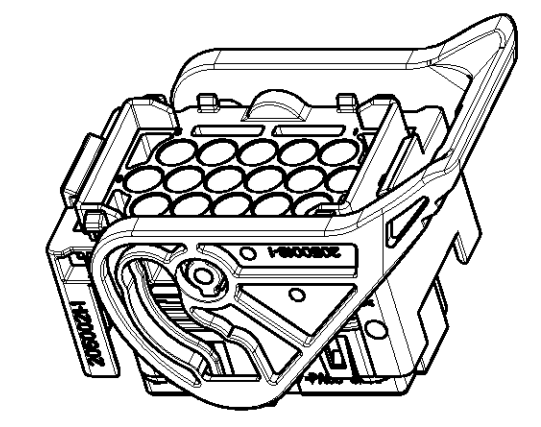
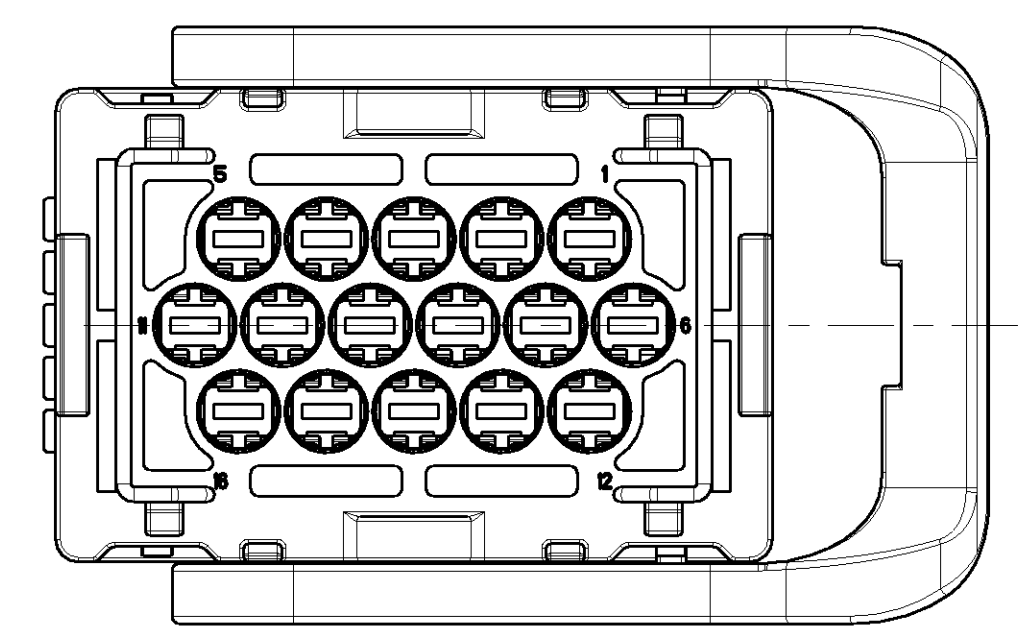
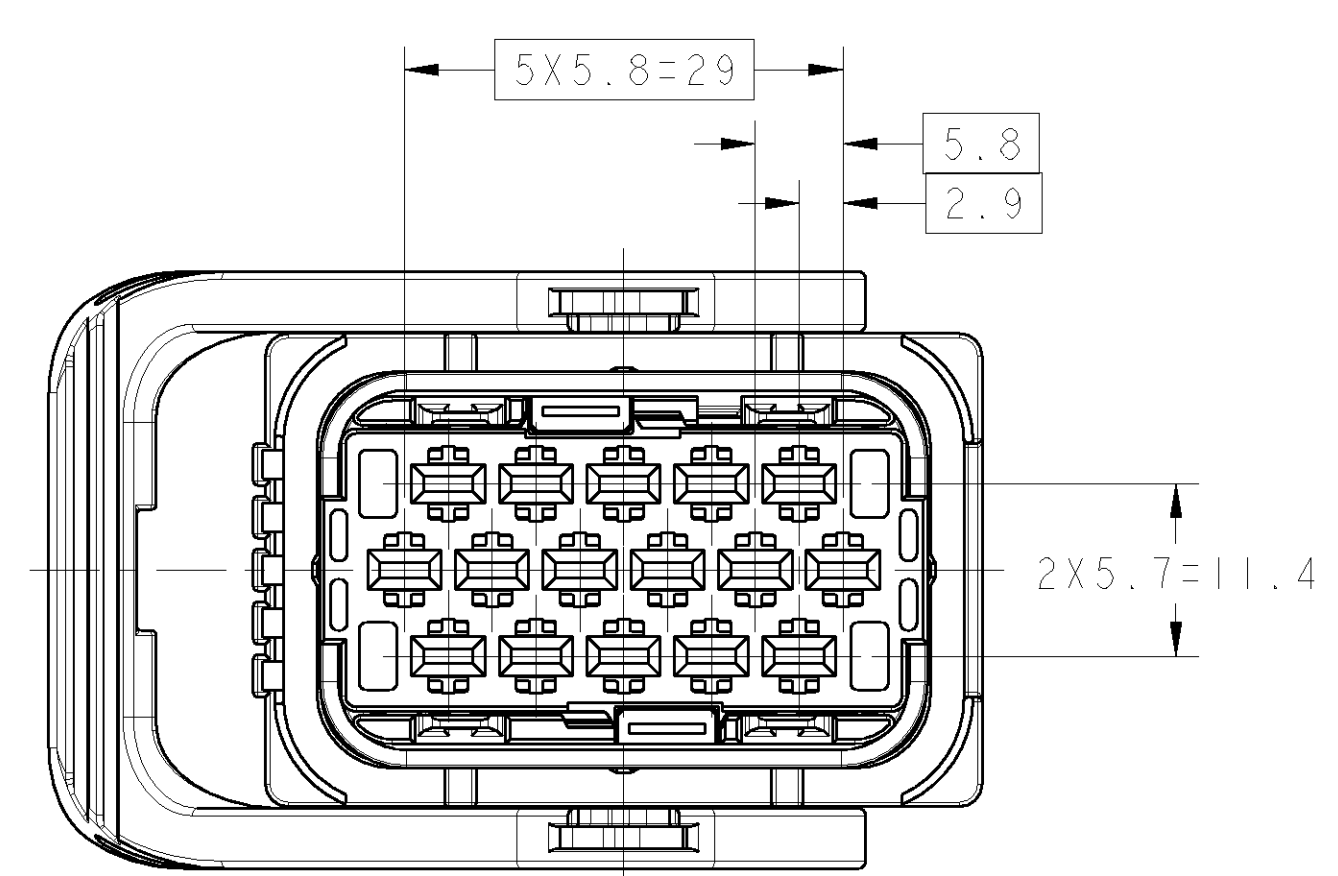


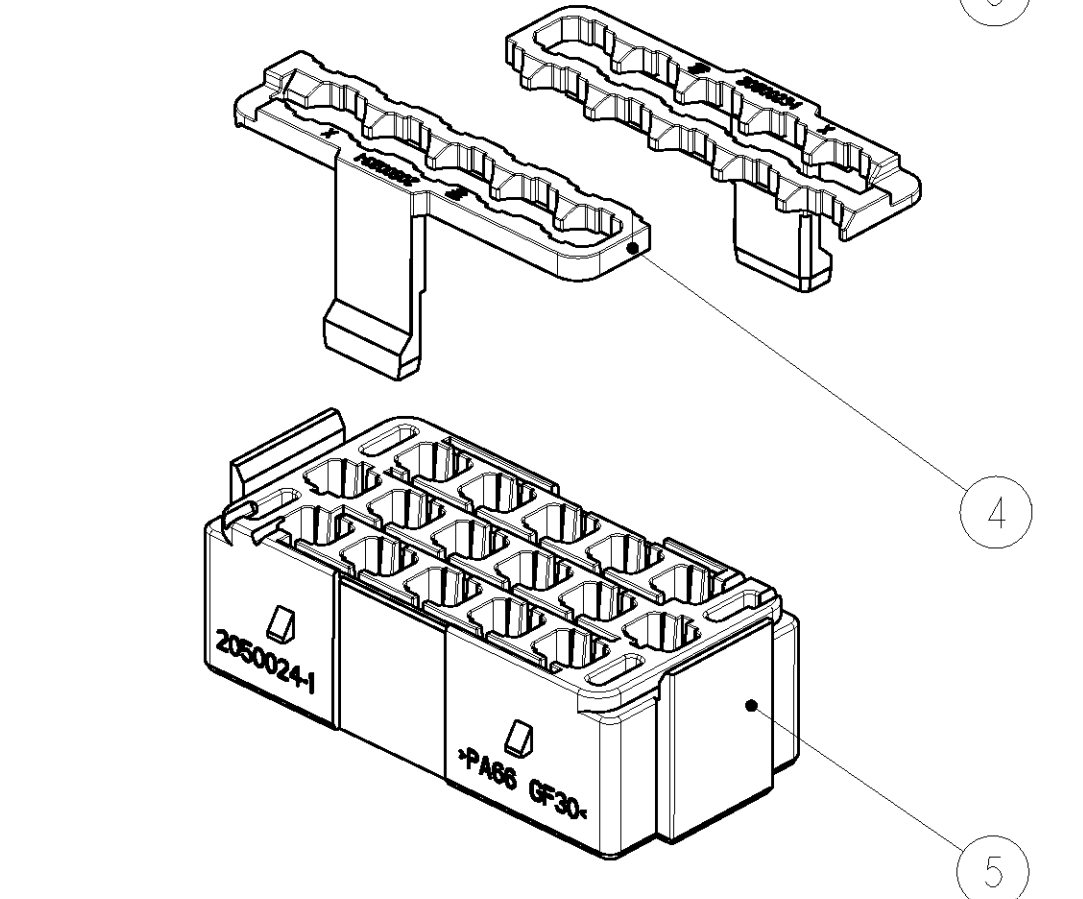
LOC	DISP	REV	DESCRIPTION	DATE	OWN	APPD
ES	00	A	RELEASED	06JUN2009	NZ	KO



LEFT WIRE OUT
2050016-2 AS SHOWN



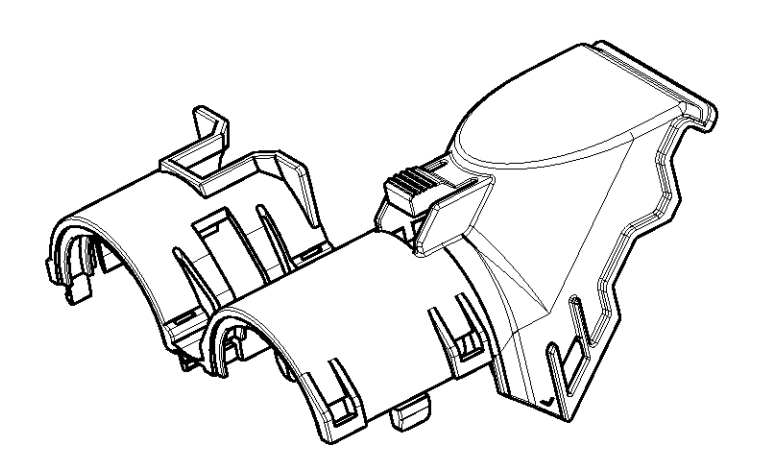
RIGHT WIRE OUT
2050016-1 AS SHOWN



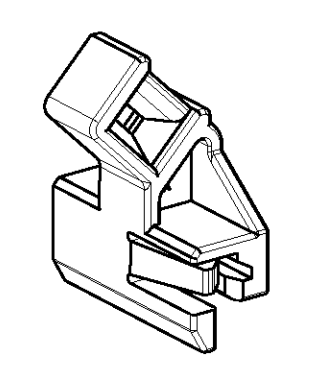
ACCESSORIES

1.TOP COVER: P/N: 2050019-1

2.WIRES FIXING CLIP: P/N: 2050020-1



SCALE 1:1



SCALE 2:1

NOTES:

1. APPLIED RECEPTACLE CONTACT P/N:

DESCRIPTION	2.8mm SENSOR RECEPTACLE OR EQUIVALENT
PART NO.	1703034 OR EQU. 1703035 OR EQU.
WIRE SIZE	0.5-1.0 >1.0~2.5

2. APPLIED WIRE SEAL P/N:

DESCRIPTION	SINGLE-WIRE SEAL(5mm HOLE)
PART NO.	828904 828905
INSULATION DIA.(Ø)	1.2~2.1mm 2.2~3.0mm

QTY	PART NO.	DESCRIPTION	COLOR/FINISH	POS.	
1	1	FRONT HOUSING	BLACK	5	
2	2	SECOND LOCKER	VIOLET	4	
1	1	INNER SEAL	ORANGE	3	
1	1	BASE HOUSING	BLACK	2	
1	1	LOCKING LEVER	GRAY	1	
2050016-2		2050016-1	DESCRIPTION	COLOR/FINISH	POS.
LEFT WIRE OUT		RIGHT WIRE OUT	WIRE OUT INDICATION		

DIMENSIONS: mm 		TOLERANCES UNLESS OTHERWISE SPECIFIED: 7-PLC ±0.30 1-PLC ±0.1 3-PLC ±0.05 4-PLC ±0.005 ANGLES ±0		DWN: N. ZHOU 04MAR09 CHK: W. YUAN 06JUN09 APVD: K. ODA 06JUN09 PRODUCT SPEC: 108-101131 APPLICATION SPEC: 114-101006 WEIGHT: A1 00779 CUSTOMER DRAWING		Tyco Electronics Shanghai, China NAME: SEALED 16POS PLUG ASSEMBLY 2.8mm SENSOR RECEPTACLE CONTACT SIZE: CAGE CODE DRAWING NO: 00779 C=2050016 RESTRICTED TO: SCALE 2:1 SHEET 1 OF 1 REV A	
-----------------------	--	---	--	--	--	--	--