

4

3

2

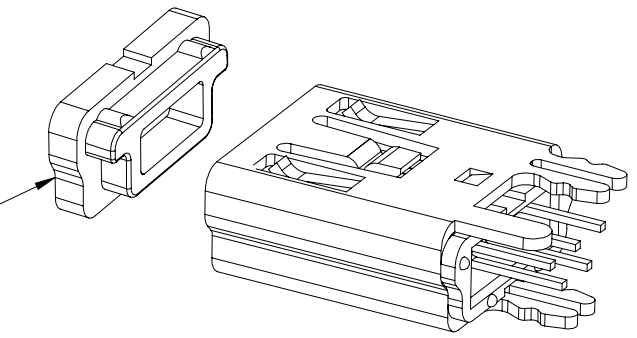
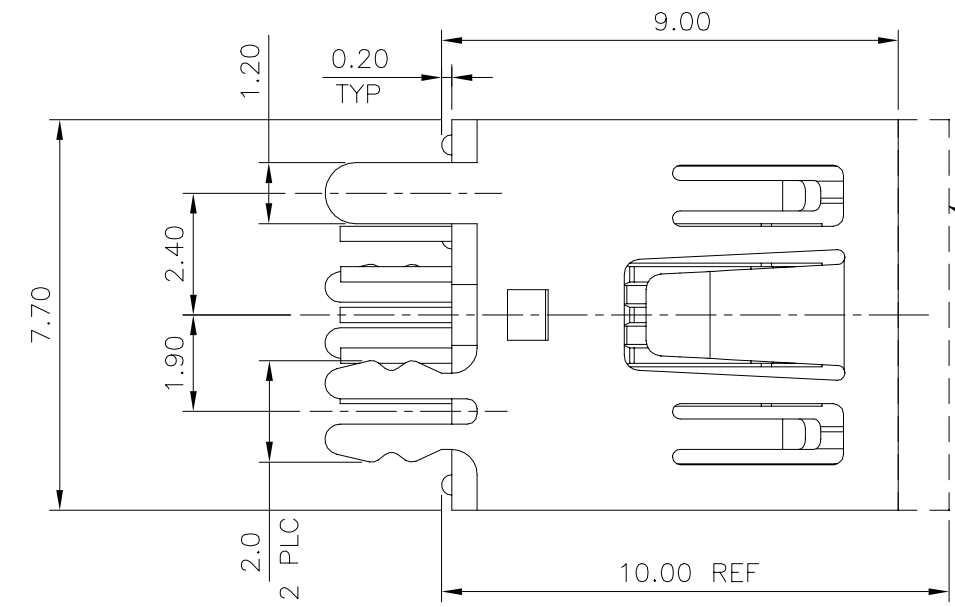
1

THIS DRAWING IS UNPUBLISHED. RELEASED FOR PUBLICATION  
 © COPYRIGHT 2010 BY TYCO ELECTRONICS CORPORATION. ALL RIGHTS RESERVED.

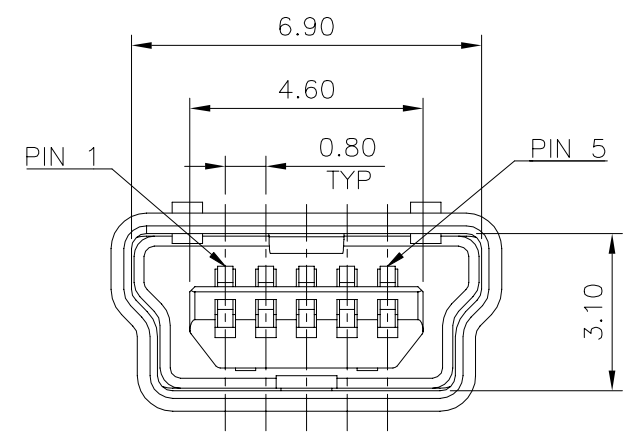
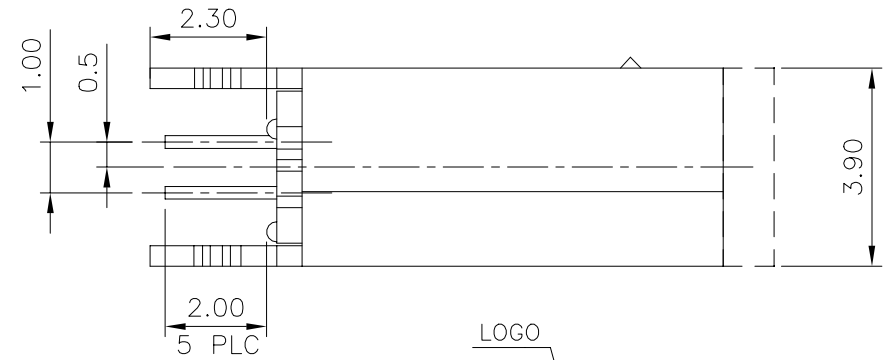
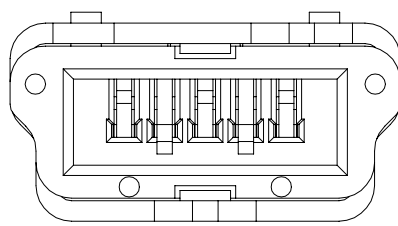
LOC	DIST	REVISIONS					
DW		P	LTR	DESCRIPTION	DATE	DWN	APVD
		B		REVISED AS PER ECN-22-176158	22JUL'22	HS	SZ

D  
C  
B  
A

D  
C  
B  
A



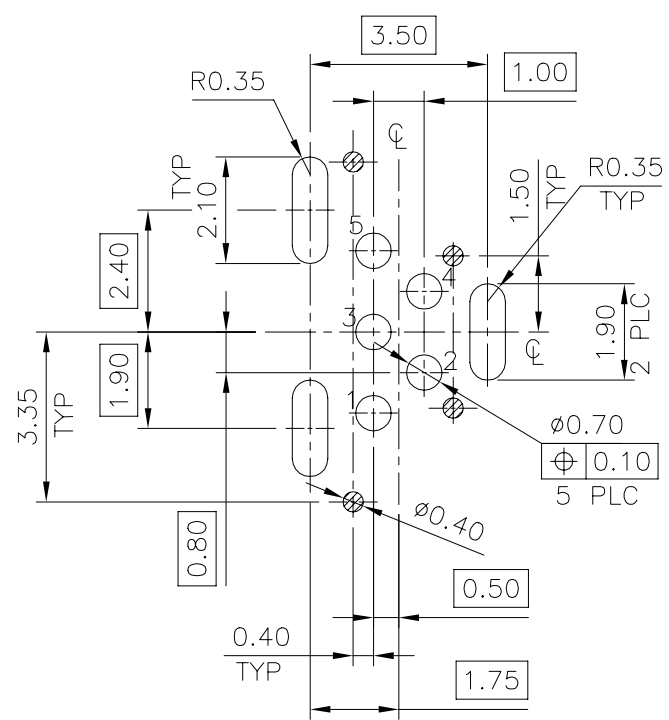
△ CAP



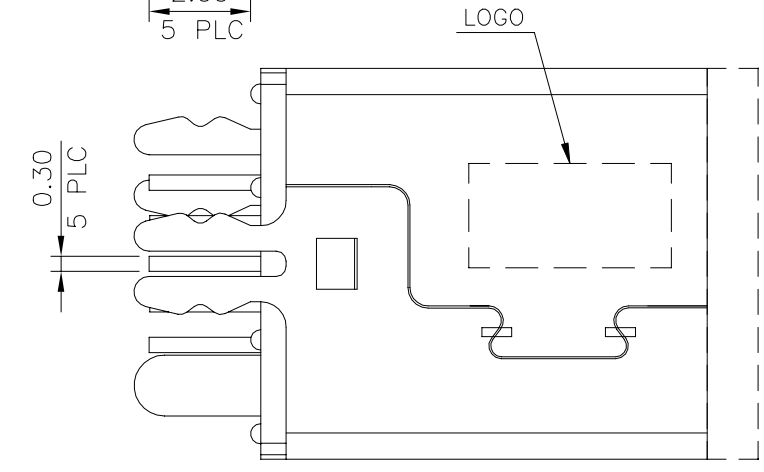
NOTE:

- MATERIAL:  
 HOUSING: PA9T, UL 94V-0, BLACK COLOR.  
 CAP: LCP, UL 94V-0, BLACK COLOR.  
 CONTACTS: PHOSPHOR BRONZE.  
 SHELL: PHOSPHOR BRONZE.
- FINISH:  
 CONTACTS: 0.762μm [30μ"] MIN. GOLD PLATED ON CONTACT AREA,  
 2.54μm [100μ"] MIN. MATTE TIN PLATED ON SOLDER TAIL,  
 1.27μm [50μ"] MIN. NICKEL UNDERPLATED ALL OVER.  
 SHELL: 2.54μm [100μ"] MIN. BRIGHT TIN PLATED OVER  
 1.27μm [50μ"] MIN. NICKEL UNDERPLATED ALL OVER.
- OPTION PART : CAP
- REFLOW SOLDER CAPABLE TO 260°C PER TE SPEC.  
 109-201, CONDITION B.
- CAP WEIGHT : 0.789 gram

WITH	2041517-2
W/O	2041517-1
CAP △	PART NUMBER



RECOMMENDED PCB LAYOUT (THICKNESS:1.6mm)  
 (DIMENSION TOLERANCE: 1PLC:±0.1 2PLC:±0.05)  
 ⊘ KEEP OUT AREA FOR HOUSING STAND OFF



THIS DRAWING IS A CONTROLLED DOCUMENT.		DWN	J. CHEN	01JUN2012	 TE Connectivity	NAME									
DIMENSIONS: mm		CHK	S. CHIEN	01JUN2012											
TOLERANCES UNLESS OTHERWISE SPECIFIED:		APVD	W. KODAMA	01JUN2012											
0 PLC ± - 1 PLC ± 0.30 2 PLC ± 0.20 3 PLC ± 0.15 4 PLC ± - ANGLES ± 3°		PRODUCT SPEC		108-57912											
MATERIAL		APPLICATION SPEC		MINI USB CONNECTOR, RECEPTACLE VERTICAL, DIP, B TYPE											
SEE NOTE		FINISH		SEE NOTE		WEIGHT	0.725 g	SIZE	A3	CAGE CODE	00779	DRAWING NO	C=2041517	RESTRICTED TO	-
		CUSTOMER DRAWING		SCALE		SHEET		1 OF 3		REV		B			

4

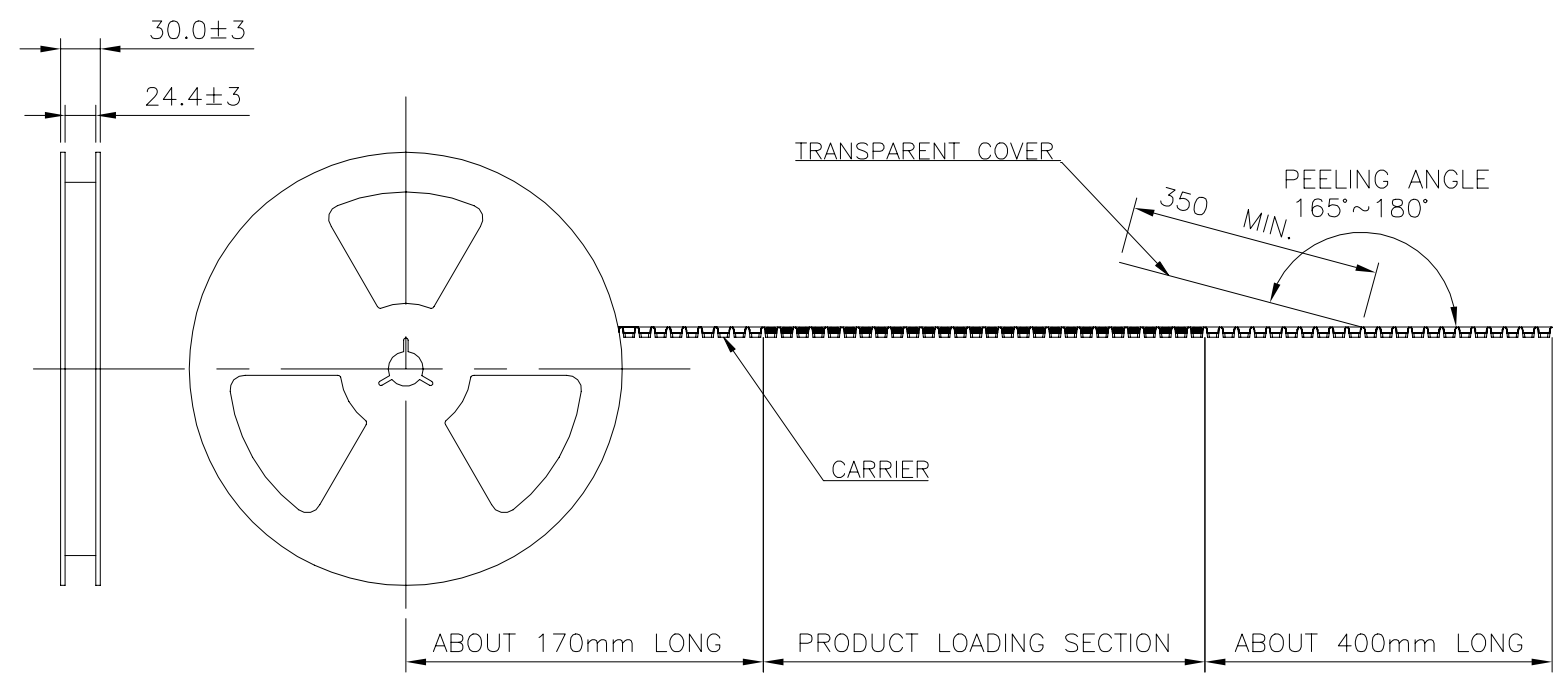
3

2

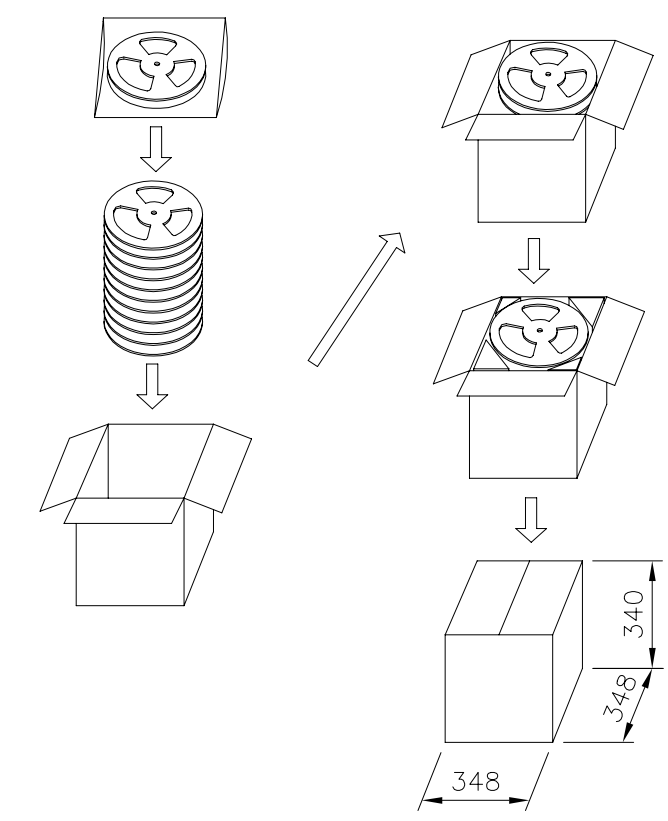
1

THIS DRAWING IS UNPUBLISHED. RELEASED FOR PUBLICATION  
 © COPYRIGHT 2010 BY TYCO ELECTRONICS CORPORATION. ALL RIGHTS RESERVED.

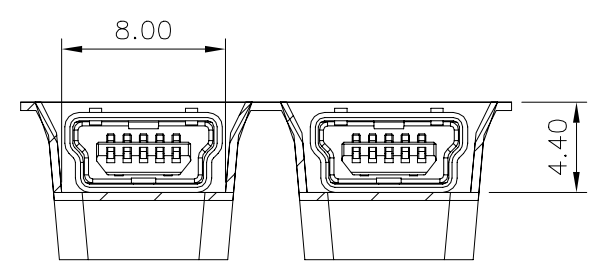
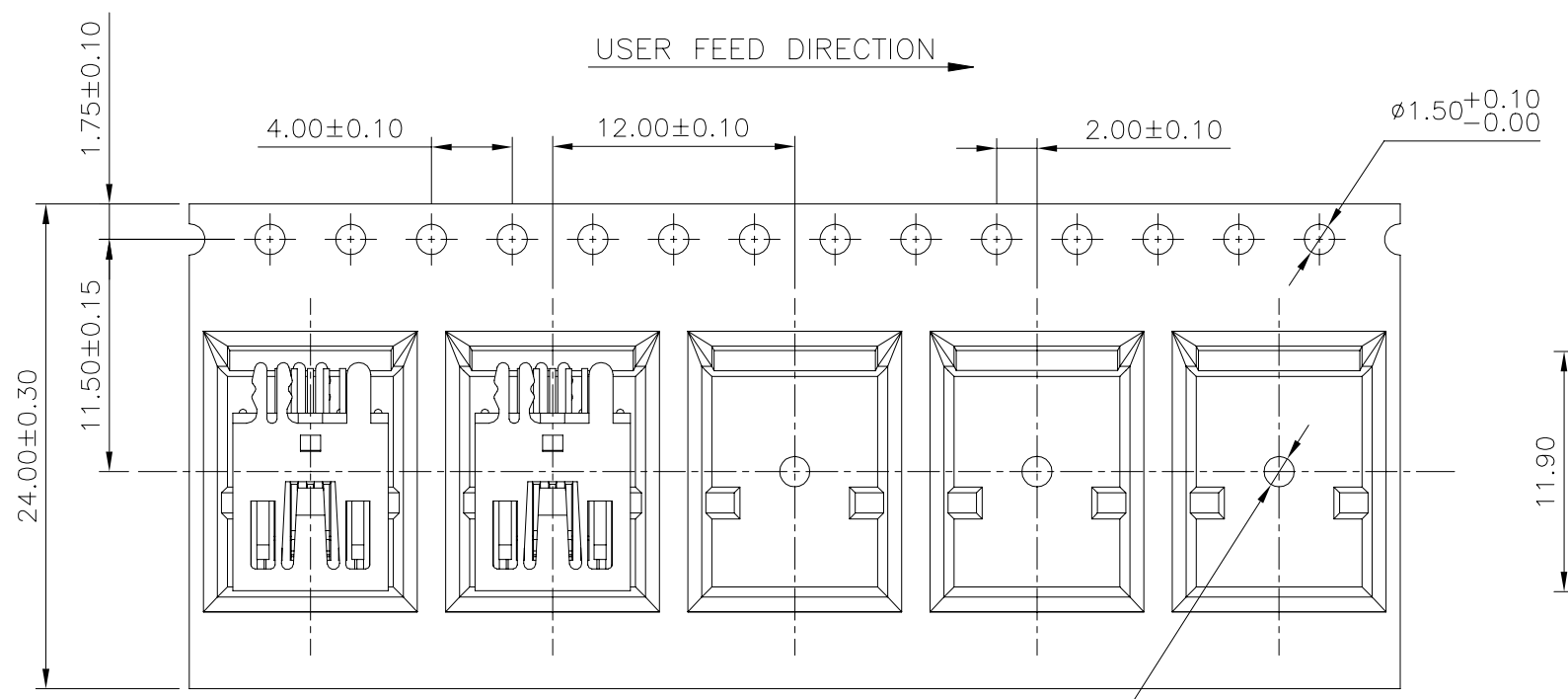
LOC	DIST	REVISIONS					
DW		P	LTR	DESCRIPTION	DATE	DWN	APVD
				SEE SHEET 1.			



- NOTE:
- MATERIAL:  
 COVER TAPE: PET, WHITE COLOR.  
 CARRIER TAPE: PS.  
 REEL: PS.  
 SHIPPING BOX: CORRUGATED FIBER.
  - DIMENSION:  
 REEL: SEE DRAWING.  
 SHIPPING BOX: SEE DRAWING.
  - QUANTITY: SEE TABLE.
  - WEIGHT: SEE TABLE
  - PEELING RESISTANCE: 10gf ~ 130gf
  - PEELING SPEED: 300mm/MINUTE.



PACKAGING PROCESS



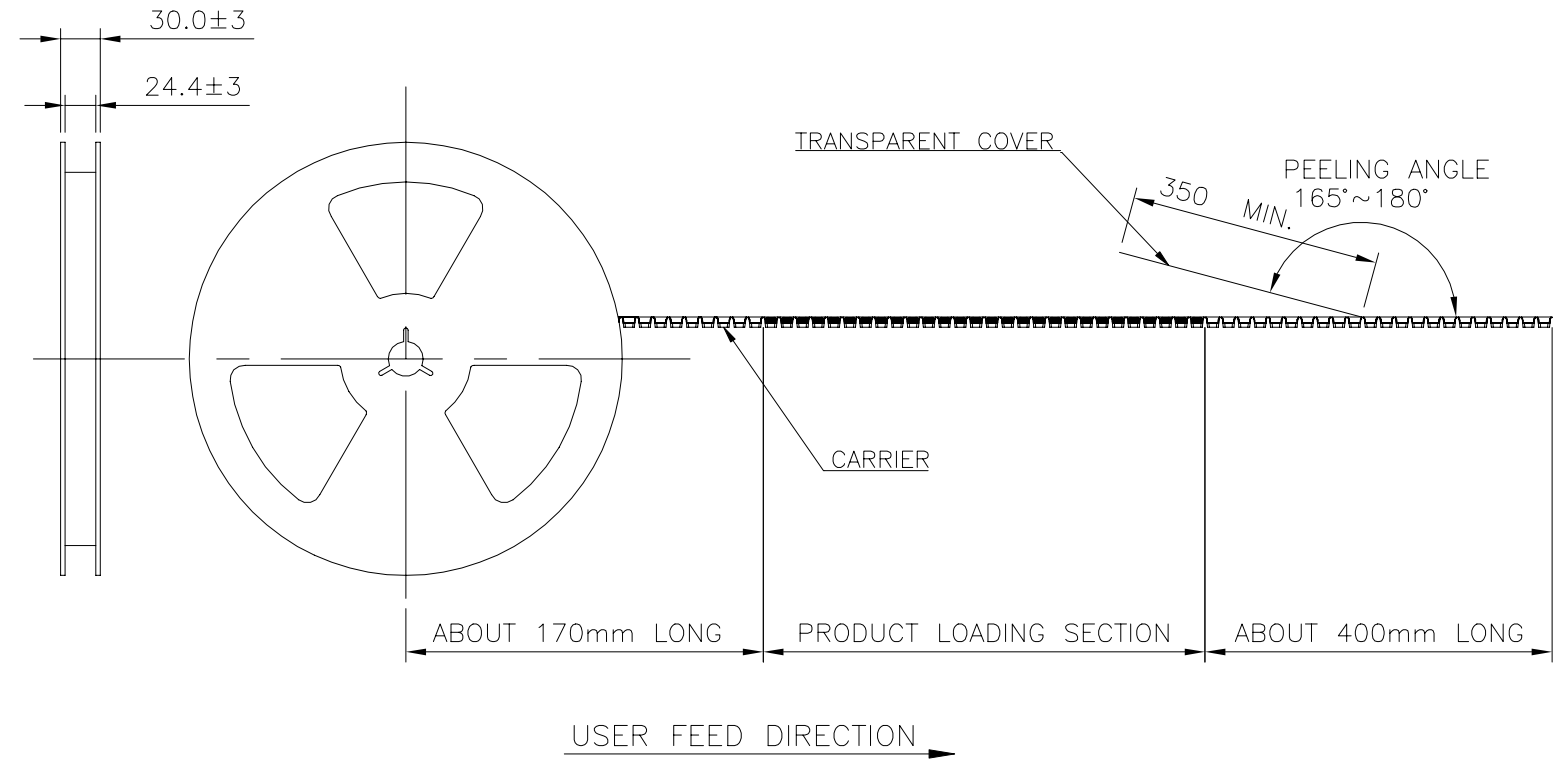
12.5 KG	9.13 KG	1200	10	12000	2041517-1
GROSS WEIGHT	NET WEIGHT	PCS /REEL	REELS /BOX	QUANTITY	PART NUMBER

THIS DRAWING IS A CONTROLLED DOCUMENT.

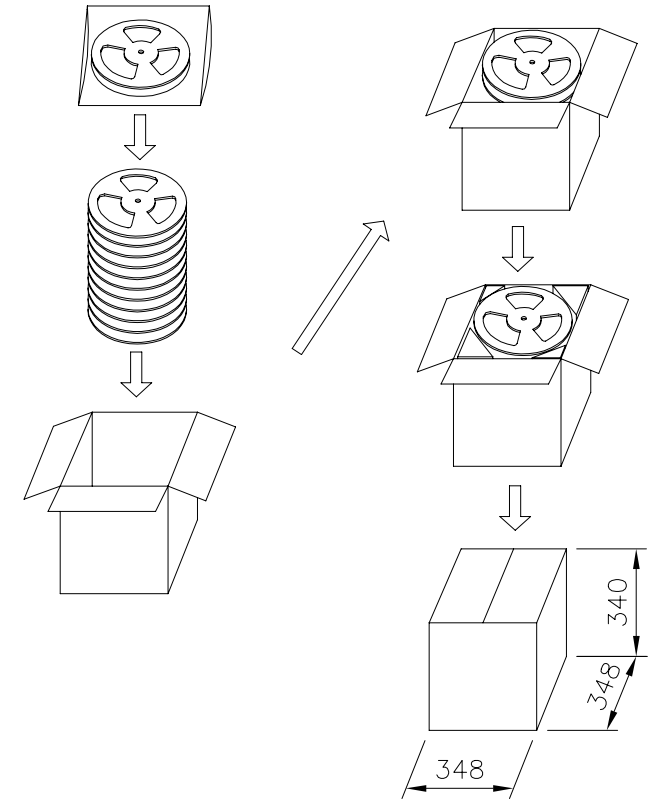
DIMENSIONS: mm	TOLERANCES UNLESS OTHERWISE SPECIFIED: 0 PLC ± - 1 PLC ± 0.30 2 PLC ± 0.30 3 PLC ± 0.30 4 PLC ± - ANGLES ± -	DWN CHK APVD PRODUCT SPEC APPLICATION SPEC WEIGHT	NAME MINI USB CONNECTOR, RECEPTACLE VERTICAL, DIP, B TYPE
MATERIAL	FINISH	CUSTOMER DRAWING	SIZE A3
			CAGE CODE 00779
			DRAWING NO C=2041517
			RESTRICTED TO
			SCALE
			SHEET 2 OF 3
			REV B

THIS DRAWING IS UNPUBLISHED. RELEASED FOR PUBLICATION  
 © COPYRIGHT 2010 BY TYCO ELECTRONICS CORPORATION. ALL RIGHTS RESERVED.

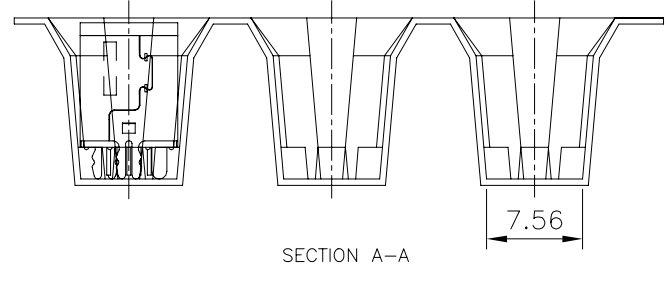
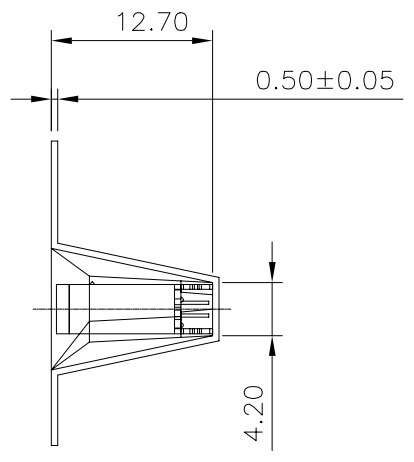
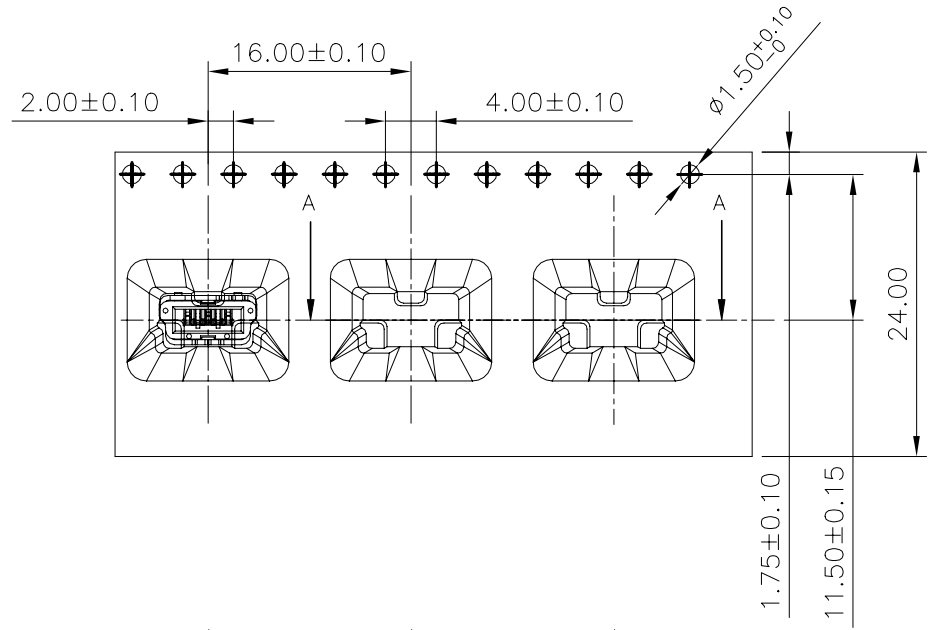
LOC	DIST	REVISIONS					
DW		P	LTR	DESCRIPTION	DATE	DWN	APVD
				SEE SHEET 1.			



- NOTE:
- MATERIAL:  
COVER TAPE: PET, WHITE COLOR.  
CARRIER TAPE: PS.  
REEL: PS.  
SHIPPING BOX: CORRUGATED FIBER.
  - DIMENSION:  
REEL: SEE DRAWING.  
SHIPPING BOX: SEE DRAWING.
  - QUANTITY: SEE TABLE.
  - WEIGHT: SEE TABLE
  - PEELING RESISTANCE: 10gf ~ 130gf
  - PEELING SPEED: 300mm/MINUTE.



PACKAGING PROCESS



6.70KG	2.60 KG	300	10	3000	2041517-2
GROSS WEIGHT	NET WEIGHT	PCS /REEL	REELS /BOX	QUANTITY	PART NUMBER

THIS DRAWING IS A CONTROLLED DOCUMENT.		DWN	TE Connectivity NAME MINI USB CONNECTOR, RECEPTACLE VERTICAL, DIP, B TYPE			
DIMENSIONS: mm		CHK				
TOLERANCES UNLESS OTHERWISE SPECIFIED:		APVD	SIZE			
0 PLC ± -		PRODUCT SPEC	CAGE CODE		DRAWING NO	
1 PLC ± 0.30		APPLICATION SPEC	A3		00779	
2 PLC ± 0.30		WEIGHT	C=		2041517	
3 PLC ± 0.30		CUSTOMER DRAWING	SCALE		SHEET	
4 PLC ± -			-		3 of 3	
ANGLES ± -					REV B	
FINISH						