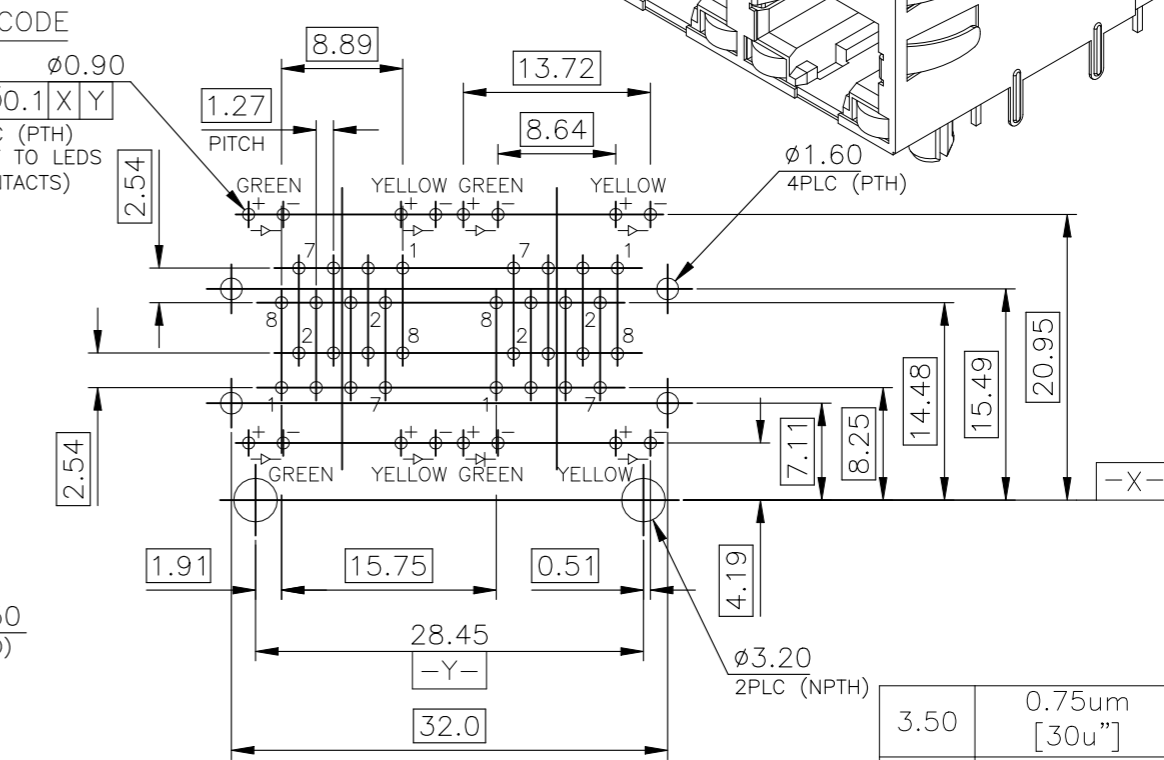
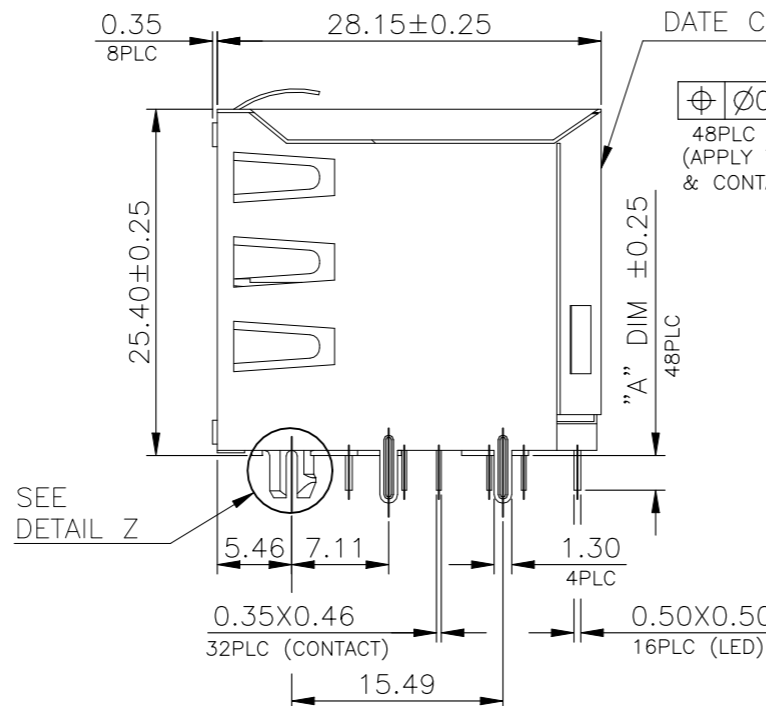
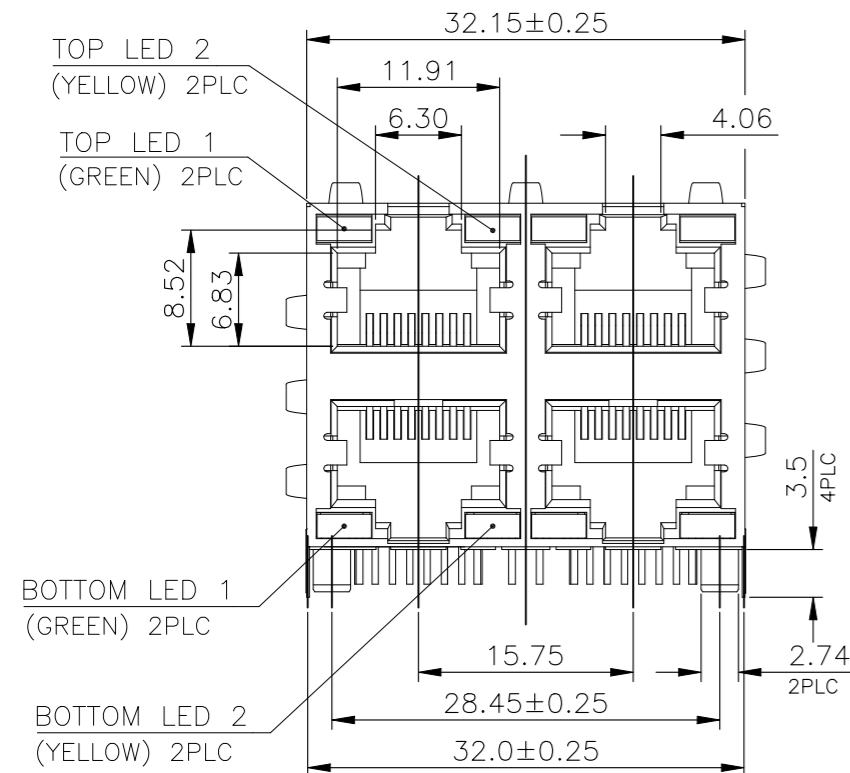
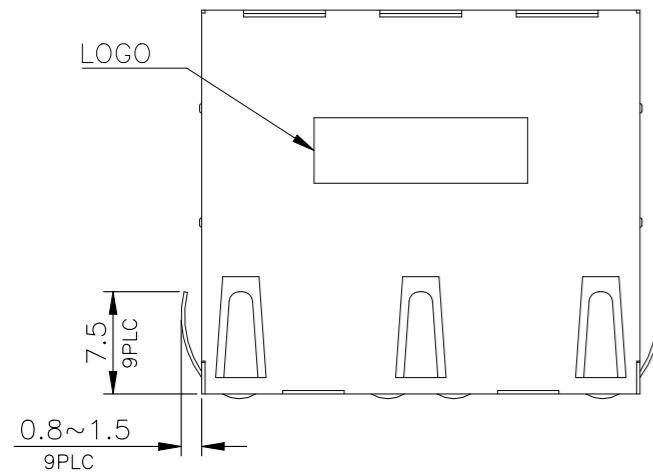
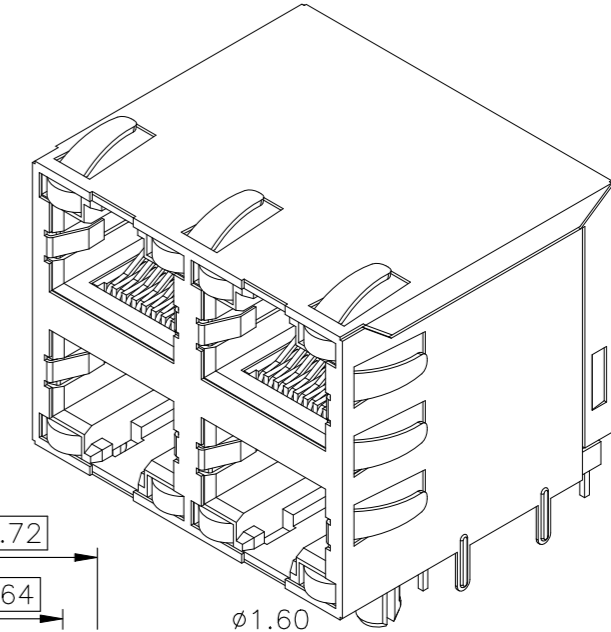


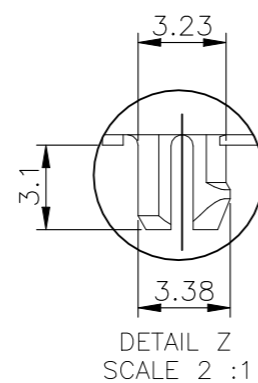
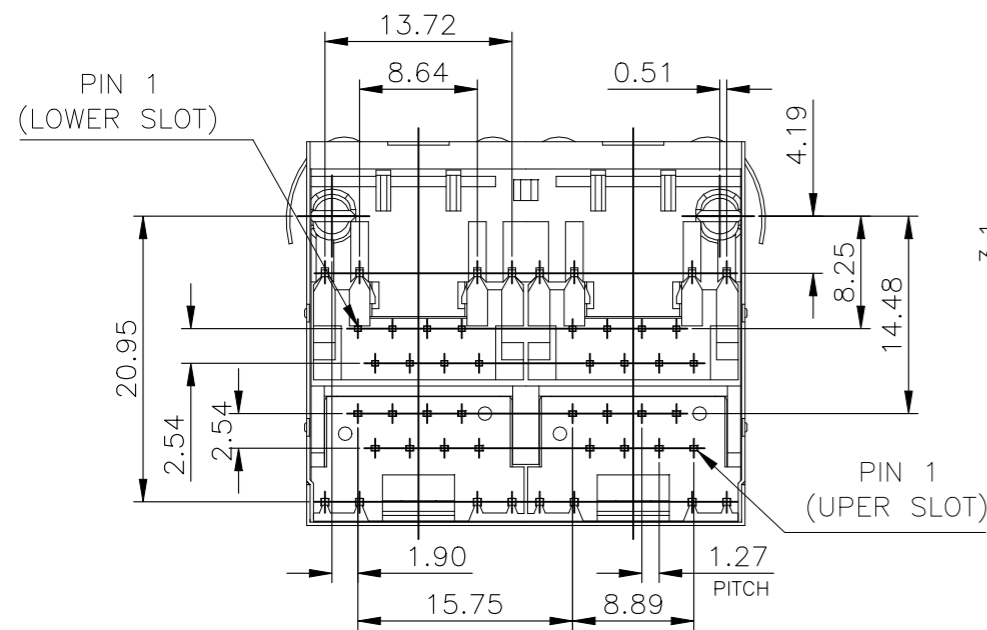
P	LTR	DESCRIPTION	DATE	DWN	APVD
	B2	ECR-21-119223	01NOV2021	RR	SZ

NOTE:

- MATERIAL:
 - HOUSING: PA46, WITH 30% GF, UL94 V-0, BLACK COLOR.
 - CONTACTS: PHOSPHOR BRONZE.
 - SHELL: BRASS.
 - LED SOLDER TAIL: STEEL.
- FINISH:
 - CONTACTS: GOLD PLATING SPEC ON CONTACT AREA PLEASE REFER TO PN SHEET(B1), GOLD FLASH ON SOLDER TAIL, 1.27mm [50μ"] MIN. NICKEL UNDERPLATED OVERALL.
 - SHELL: 0.508mm [20μ"] MIN. NICKEL PLATED.
 - LED SOLDER TAIL: 2.54mm [100μ"] MIN. BRIGHT-TIN PLATED.
- WAVE SOLDER CAPABLE TO 265°C PER TE SPEC. 109-202, CONDITION B.



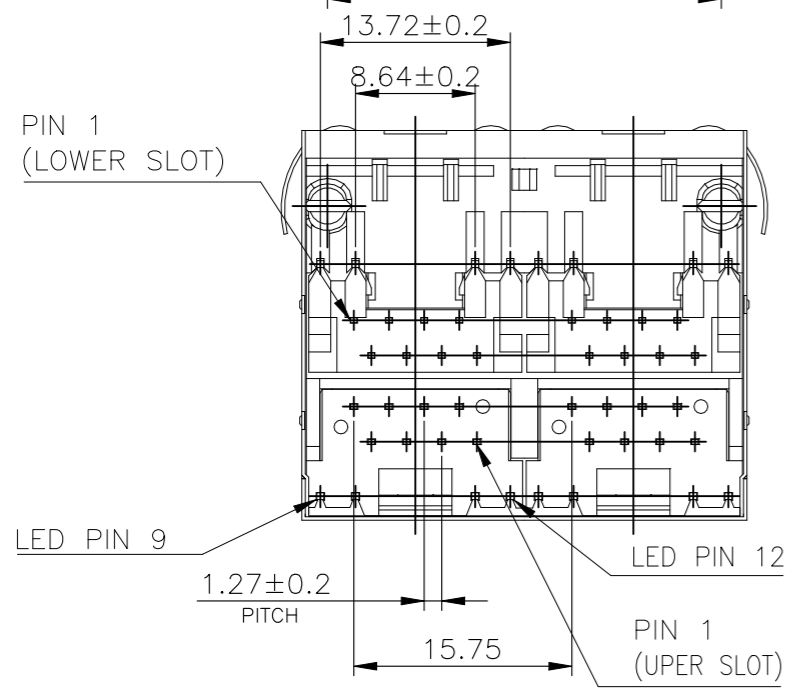
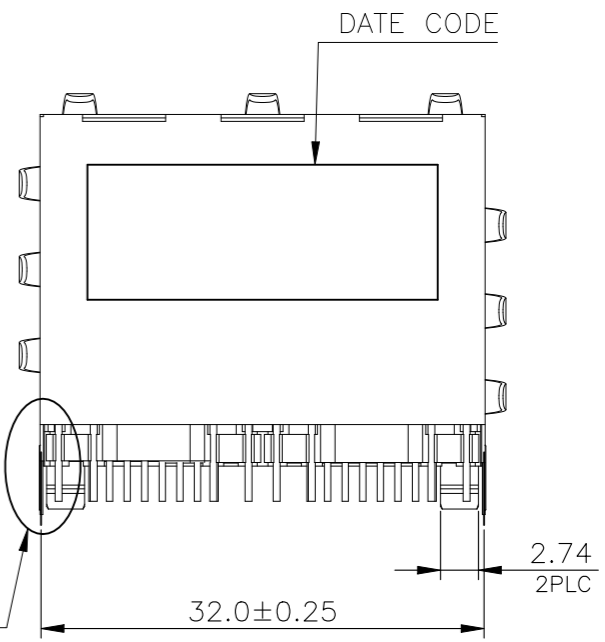
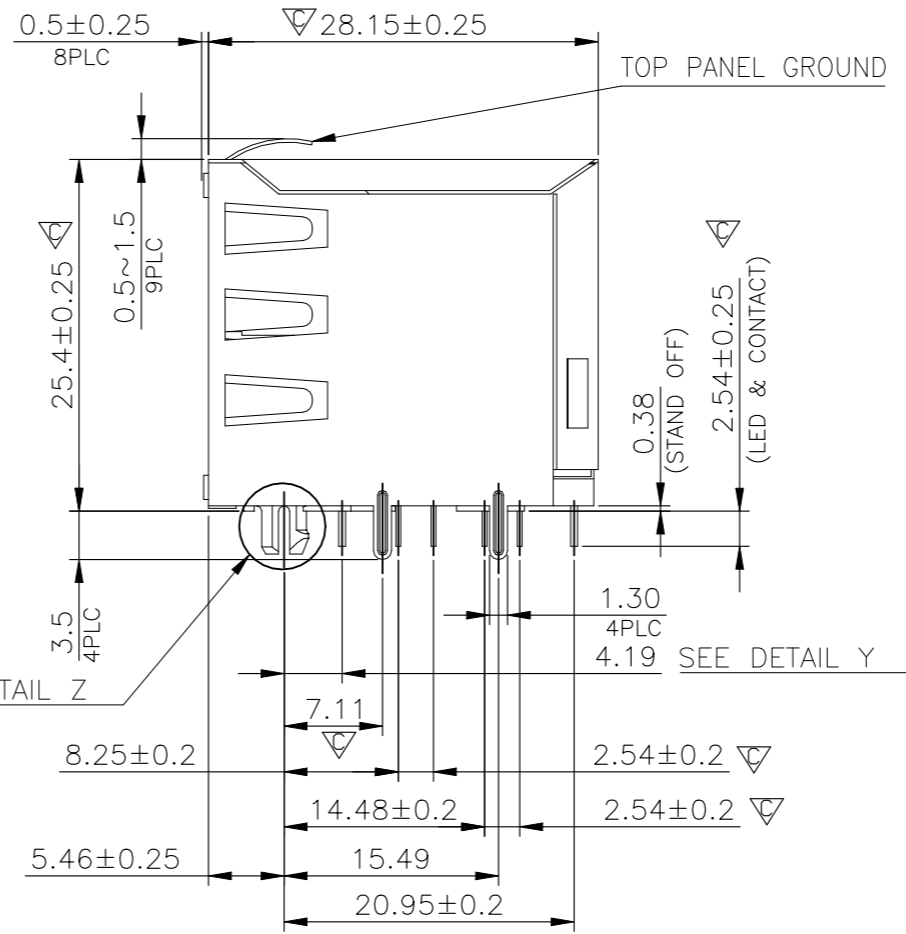
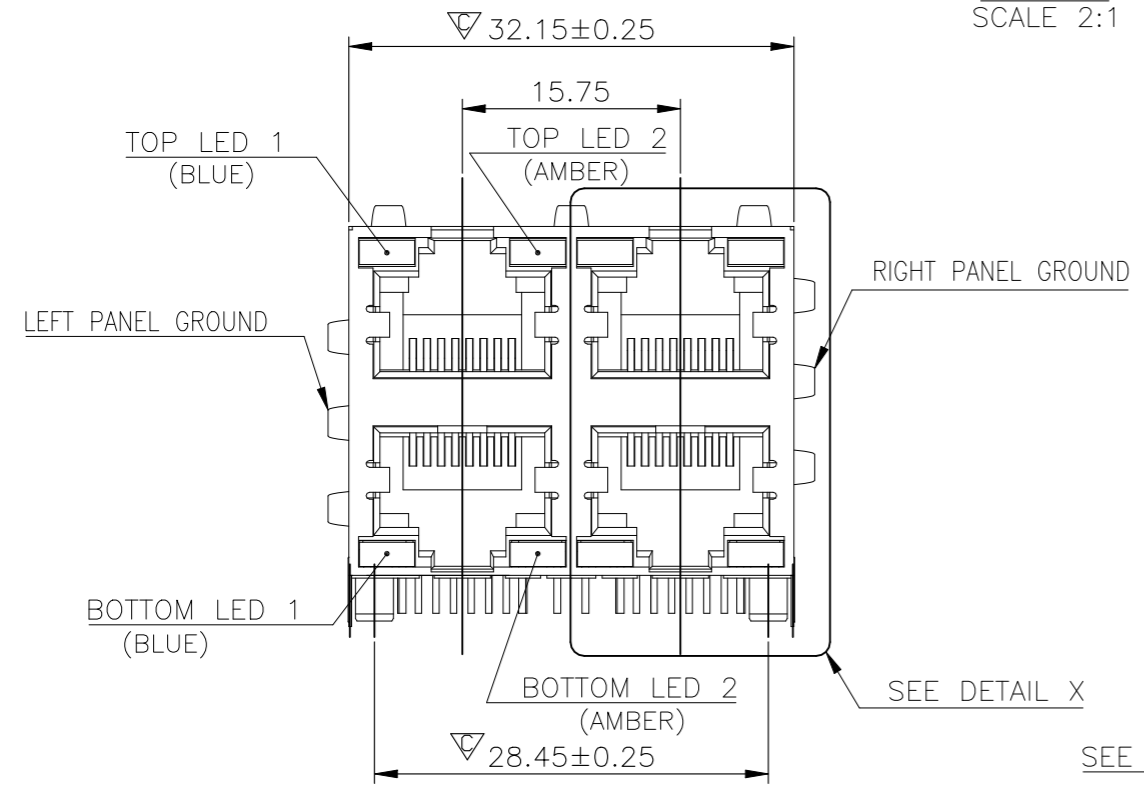
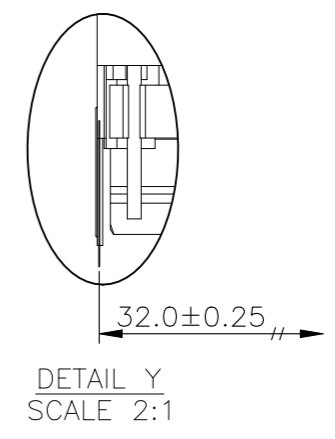
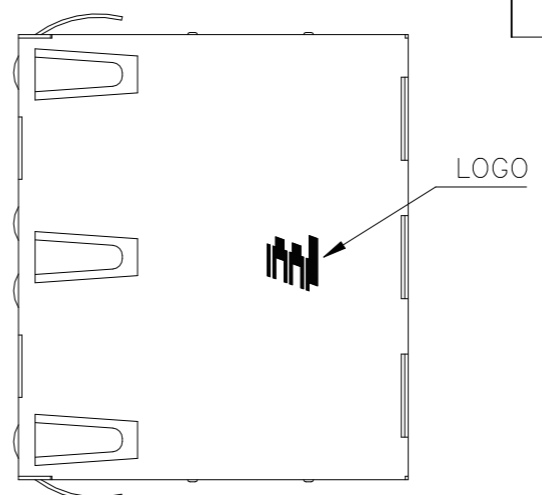
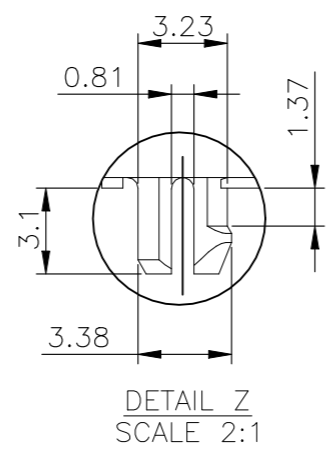
RECOMMENDED PCB LAYOUT (THICKNESS: 1.6MM)
(DIMENSION TOLERANCE: 1 PLC: ±0.1, 2 PLC:±0.05)



3.50	0.75um [30u"]	2041376-4
2.54	0.75um [30u"]	2041376-2
2.54	0.152um [6u"]	2041376-1
"A" DIM	GOLD PLATING	PART NUMBER

THIS DRAWING IS A CONTROLLED DOCUMENT.		DWN E. LIU 06JULY2011	TE Connectivity		
DIMENSIONS: mm		CHK S. CHIEN 06JULY2011			
TOLERANCES UNLESS OTHERWISE SPECIFIED:		APVD W. KODAMA 06JULY2011	NAME		
0 PLC ± -		PRODUCT SPEC		MODULAR JACK CONNECTOR	
1 PLC ± 0.3		108-57879		RJ45 W/LED, 2X2, SIDE ENTRY, SHIELDED	
2 PLC ± 0.2		APPLICATION SPEC		DIP TYPE, H=25.4mm	
3 PLC ± 0.15		SIZE	CAGE CODE	DRAWING NO	RESTRICTED TO
4 PLC ± -		—	—	—	—
ANGLES ± 3		WEIGHT		A3 00779 C-2041376	
FINISH		0		—	
SEE NOTE		CUSTOMER DRAWING		SCALE	SHEET
				1:1	1 OF 6
				REV	B2

REVISIONS					
P	LTR	DESCRIPTION	DATE	DWN	APVD
-	-	SEE SHEET 1	-	-	-



0.75um [30u"]	2041376-3
GOLD PLATING	PART NUMBER

THIS DRAWING IS A CONTROLLED DOCUMENT.		DWN E. LIU 06JULY2011	TE Connectivity MODULAR JACK CONNECTOR RJ45 W/ LED, 2X2, SIDE ENTRY, SHIELDED DIP TYPE, H=25.4				
DIMENSIONS: mm		CHK S. CHEIN 06JULY2011				NAME	
TOLERANCES UNLESS OTHERWISE SPECIFIED:		APVD W. KODAMA 06JULY2011				PRODUCT SPEC	
0 PLC ± - 1 PLC ± 0.25 2 PLC ± 0.13 3 PLC ± 0.05 4 PLC ± - ANGLES ± 3°		APPLICATION SPEC					
MATERIAL SEE NOTE		FINISH -	108-57879		RESTRICTED TO		
		WEIGHT -	SIZE A3	CAGE CODE 00779	DRAWING NO C-2041376		
CUSTOMER DRAWING			SCALE 1:1	SHEET 2 of 6	REV B2		

P	LTR	DESCRIPTION	DATE	DWN	APVD
-	-	SEE SHEET 1	-	-	-

NOTE:

CAVITY CONFIRMS TO FCC RULES AND REGULATIONS PART 68, SUBPART F.

1. MATERIAL:

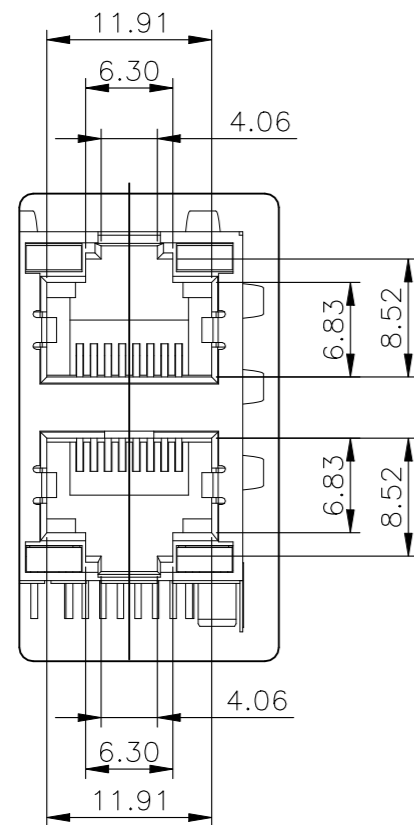
- 1.1 BOTTOM HOUSING: PA4T, (Halogen-free) WITH GLASS FIBER, UL94V-0, STANDARD COLOR-BLACK.
- 1.2 BOTTOM INSERT HOUSING: PA4T,(Halogen-free) WITH GLASS FIBER, UL94V-0, STANDARD COLOR-BLACK.
- 1.3 TOP HOUSING: PA4T,(Halogen-free) WITH GLASS FIBER, UL94V-0, STANDARD COLOR-BLACK.
- 1.4 TOP INSERT HOUSING: PA4T,(Halogen-free) WITH GLASS FIBER, UL94V-0, STANDARD COLOR-BLACK.
- 1.5 CONTACTS: PHOSPHOR BRONZE.
- 1.6 LED: STEEL.
- 1.7 SHELL: BRASS.

2. FINISH:

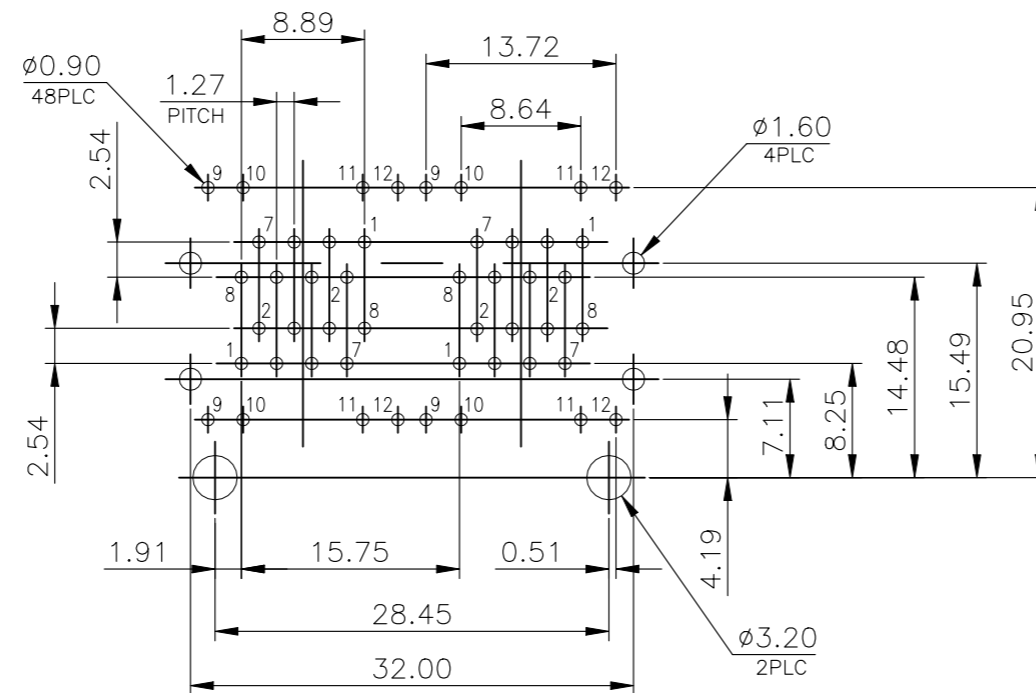
- 2.1 CONTACTS: 0.762μm [30μ"] GOLD PLATED ON CONTACT AREA, GOLD FLASH PLATED ON SOLDER TAIL, WITH ENTIRE CONTACT UNDERPLATED 1.27μm [50μ"] MIN. NICKEL
- 2.2 LED SOLDER TAIL: 2.032μm [80μ"] MIN. TIN PLATED.
- 2.3 SHELL: 0.508μm [20μ"] MIN. NICKEL PLATED.

3. "▽" SHOWS QIP INSPECTION POINT.

LED CHARACTERISTIC	
NO.	NODE
LED1	9+ -> -10
LED2	11+ -> -12



DETAIL X



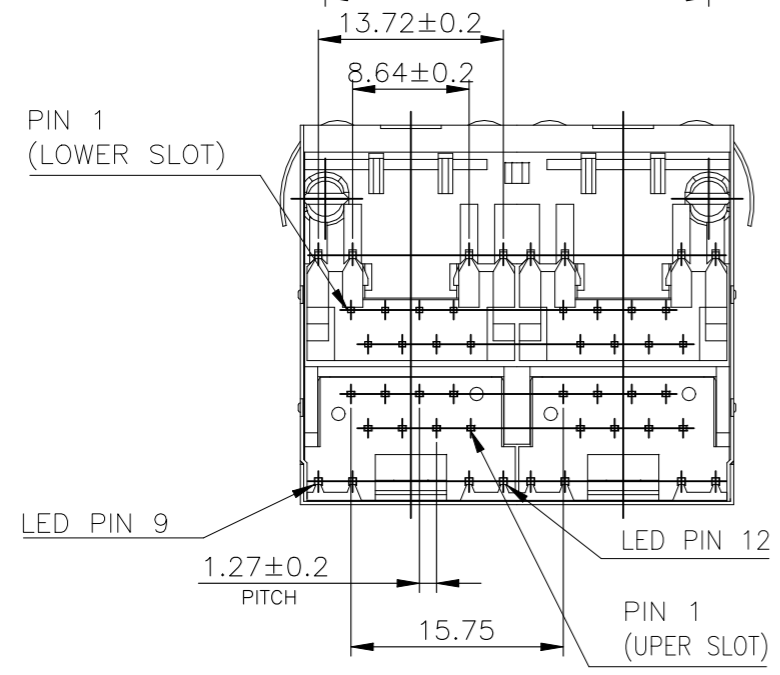
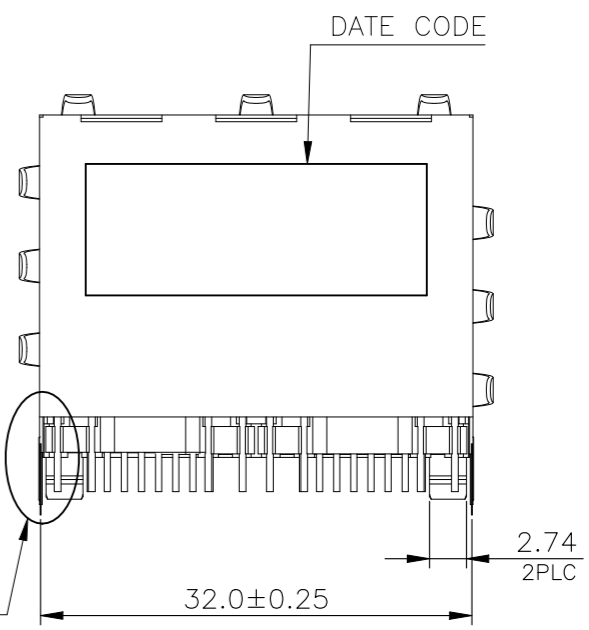
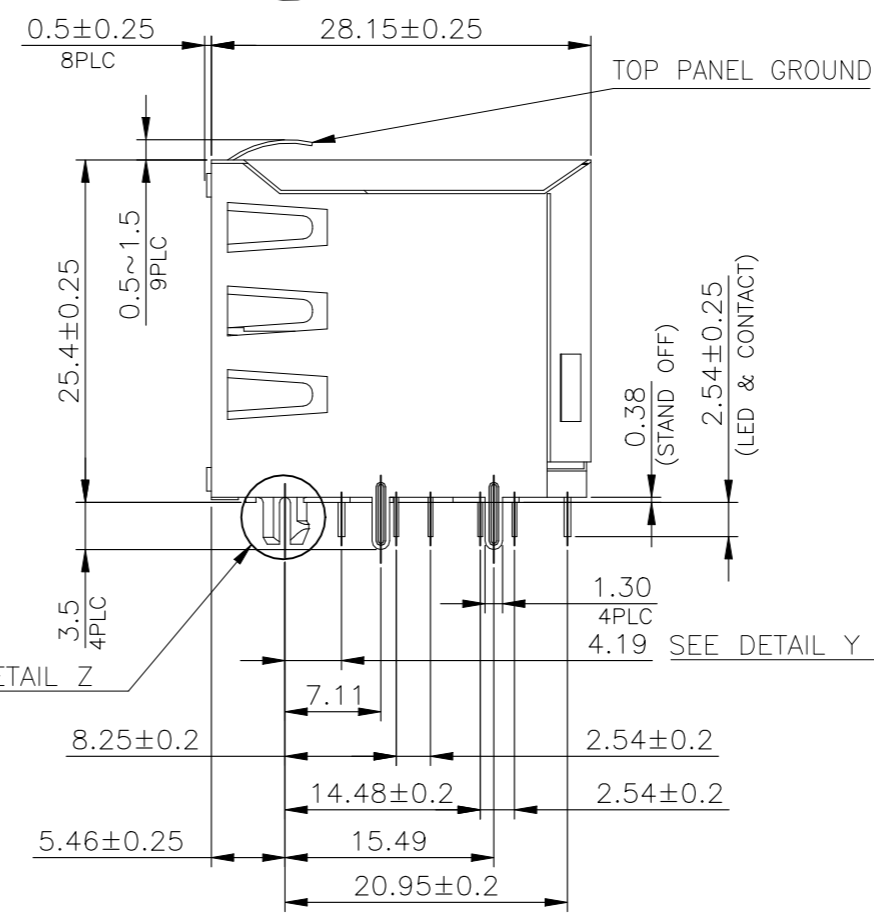
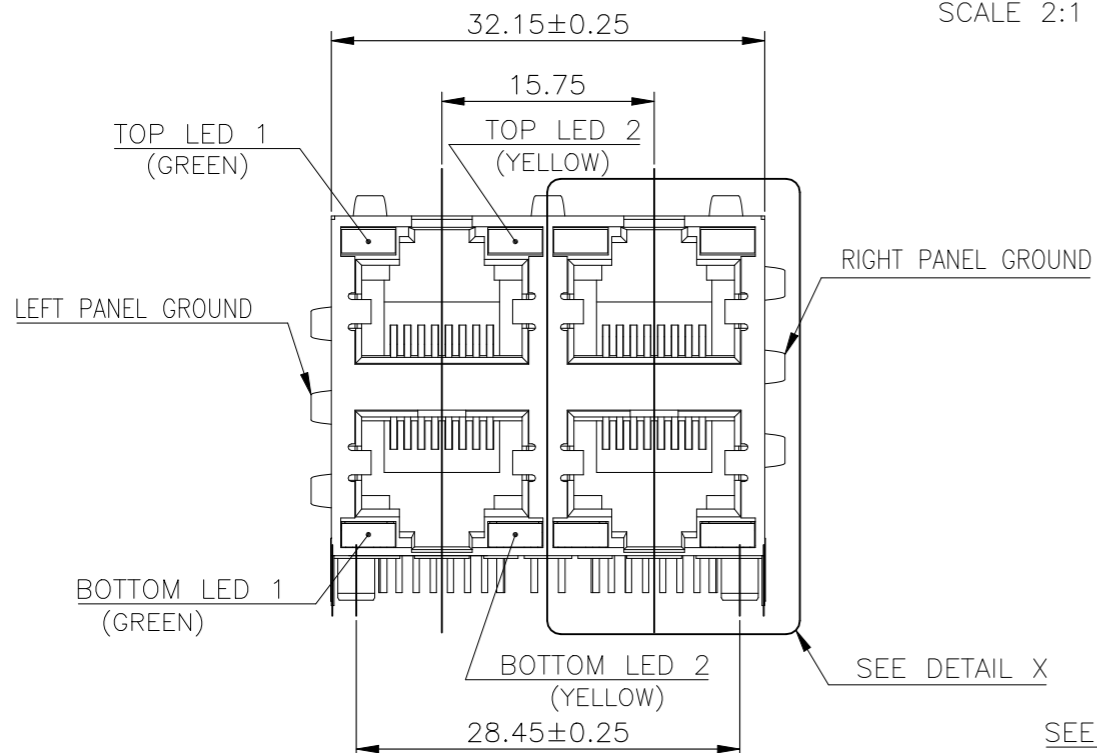
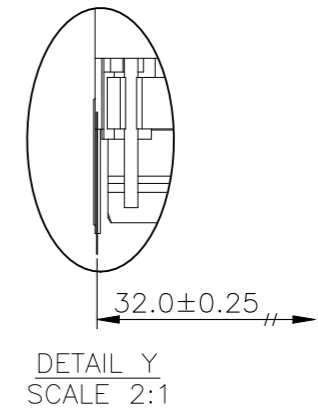
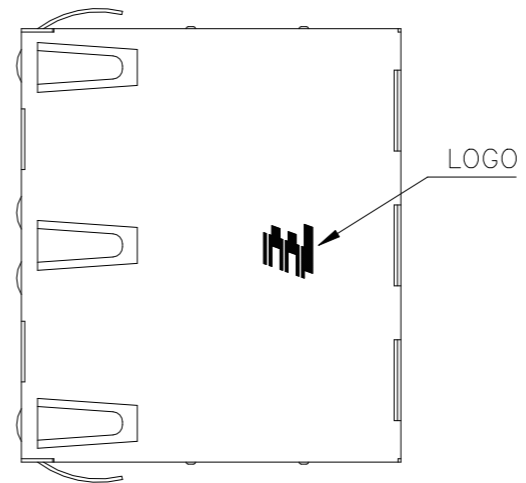
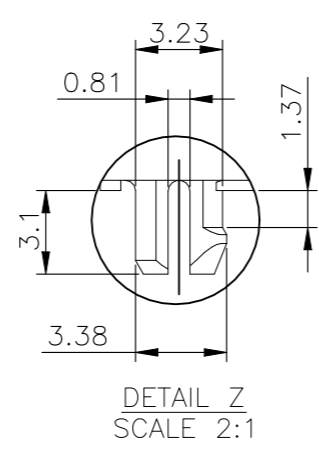
RECOMMENDED PCB LAYOUT

RECOMMENDED PCB THICKNESS: 1.6mm
TOLERANCE: ±0.05 (TOP VIEW)

2041376-3 PART NUMBER

THIS DRAWING IS A CONTROLLED DOCUMENT.		DWN E. LIU 06JULY2011	TE Connectivity														
DIMENSIONS: mm		CHK S. CHIEN 06JULY2011															
TOLERANCES UNLESS OTHERWISE SPECIFIED:		APVD W. KODAMA 06JULY2011	NAME														
<table border="0"> <tr> <td>0 PLC</td> <td>± -</td> </tr> <tr> <td>1 PLC</td> <td>± 0.25</td> </tr> <tr> <td>2 PLC</td> <td>± 0.15</td> </tr> <tr> <td>3 PLC</td> <td>± 0.05</td> </tr> <tr> <td>4 PLC</td> <td>± -</td> </tr> <tr> <td>ANGLES</td> <td>± -</td> </tr> </table>		0 PLC	± -	1 PLC	± 0.25	2 PLC	± 0.15	3 PLC	± 0.05	4 PLC	± -	ANGLES	± -	PRODUCT SPEC 108-57879	MODULAR JACK CONNECTOR RJ45, LED 2X2, SIDE ENTRY, SHIELDED DIP TYPE, H=25.4mm		
0 PLC	± -																
1 PLC	± 0.25																
2 PLC	± 0.15																
3 PLC	± 0.05																
4 PLC	± -																
ANGLES	± -																
MATERIAL SEE NOTE		FINISH -	APPLICATION SPEC -	SIZE A3	CAGE CODE 00779												
		WEIGHT 0	DRAWING NO C-2041376	RESTRICTED TO -													
CUSTOMER DRAWING			SCALE 1:1	SHEET 3 OF 6	REV B2												

REVISIONS					
P	LTR	DESCRIPTION	DATE	DWN	APVD
-	-	SEE SHEET 1	-	-	-



0.75um [30u"]	2041376-5
GOLD PLATING	PART NUMBER

THIS DRAWING IS A CONTROLLED DOCUMENT.		DWN E. LIU 06JULY2011	TE Connectivity		
DIMENSIONS: mm		CHK S. CHIEN 06JULY2011			
TOLERANCES UNLESS OTHERWISE SPECIFIED:		APVD W. KODAMA 06JULY2011	NAME		
0 PLC ± -		PRODUCT SPEC		MODULAR JACK CONNECTOR	
1 PLC ± 0.25		APPLICATION SPEC		RJ45, LED 2X2, SIDE ENTRY, SHIELDED	
2 PLC ± 0.13		108-57879		DIP TYPE, H=25.4mm	
3 PLC ± 0.05		-		SIZE	RESTRICTED TO
4 PLC ± -		-		A3	-
ANGLES ± 3		WEIGHT		CAGE CODE	DRAWING NO
FINISH		0		00779	C-2041376
SEE NOTE		CUSTOMER DRAWING		SCALE	SHEET
				1:1	4 OF 6
				REV	B2

P	LTR	DESCRIPTION	DATE	DWN	APVD
-	-	SEE SHEET 1	-	-	-

NOTE:

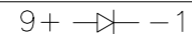
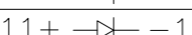
CAVITY CONFIRMS TO FCC RULES AND REGULATIONS PART 68, SUBPART F.

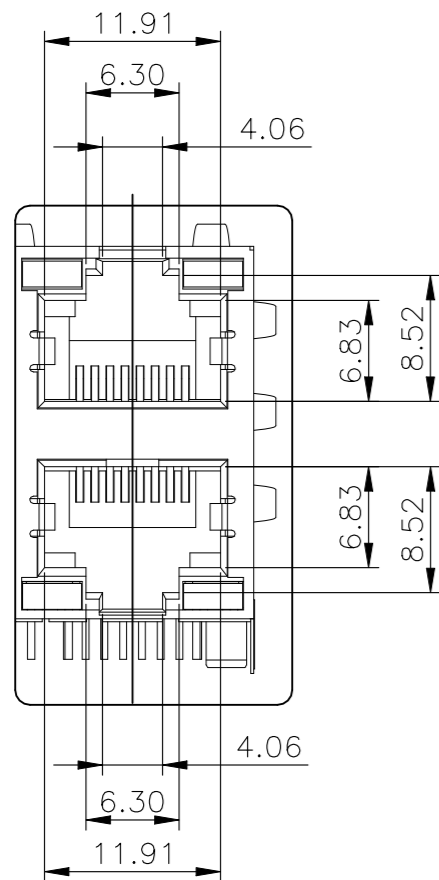
1. MATERIAL:

- 1.1 BOTTOM HOUSING: PA4T(HALOGEN FREE) WITH GLASS FIBER, UL94V-0, STANDARD COLOR-BLACK.
- 1.2 BOTTOM INSERT HOUSING: PA4T (HF) WITH GLASS FIBER, UL94V-0, STANDARD COLOR-BLACK.
- 1.3 TOP HOUSING: PA4T (HF) WITH GLASS FIBER, UL94V-0, STANDARD COLOR-BLACK.
- 1.4 TOP INSERT HOUSING: PA4T (HF) WITH GLASS FIBER, UL94V-0, STANDARD COLOR-BLACK.
- 1.5 CONTACTS: PHOSPHOR BRONZE.
- 1.6 LED: STEEL.
- 1.7 SHELL: BRASS.

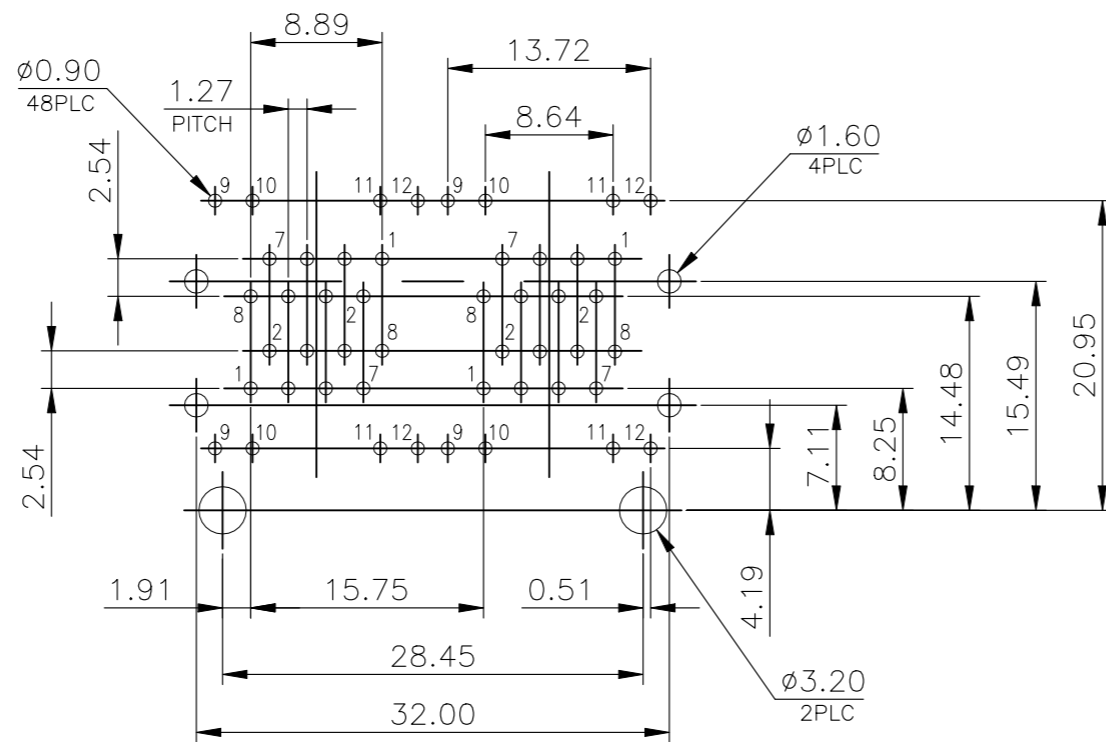
2. FINISH:

- 2.1 CONTACTS: 0.762μm [30μ"] GOLD PLATED ON CONTACT AREA, GOLD FLASH PLATED ON SOLDER TAIL, WITH ENTIRE CONTACT UNDERPLATED 1.27μm [50μ"] MIN. NICKEL
- 2.2 LED SOLDER TAIL: 2.032μm [80μ"] MIN. TIN PLATED.
- 2.3 SHELL: 0.508μm [20μ"] MIN. NICKEL PLATED.

LED CHARACTERISTIC	
NO.	NODE
LED1	9+  -10
LED2	11+  -12




DETAIL X



RECOMMENDED PCB LAYOUT

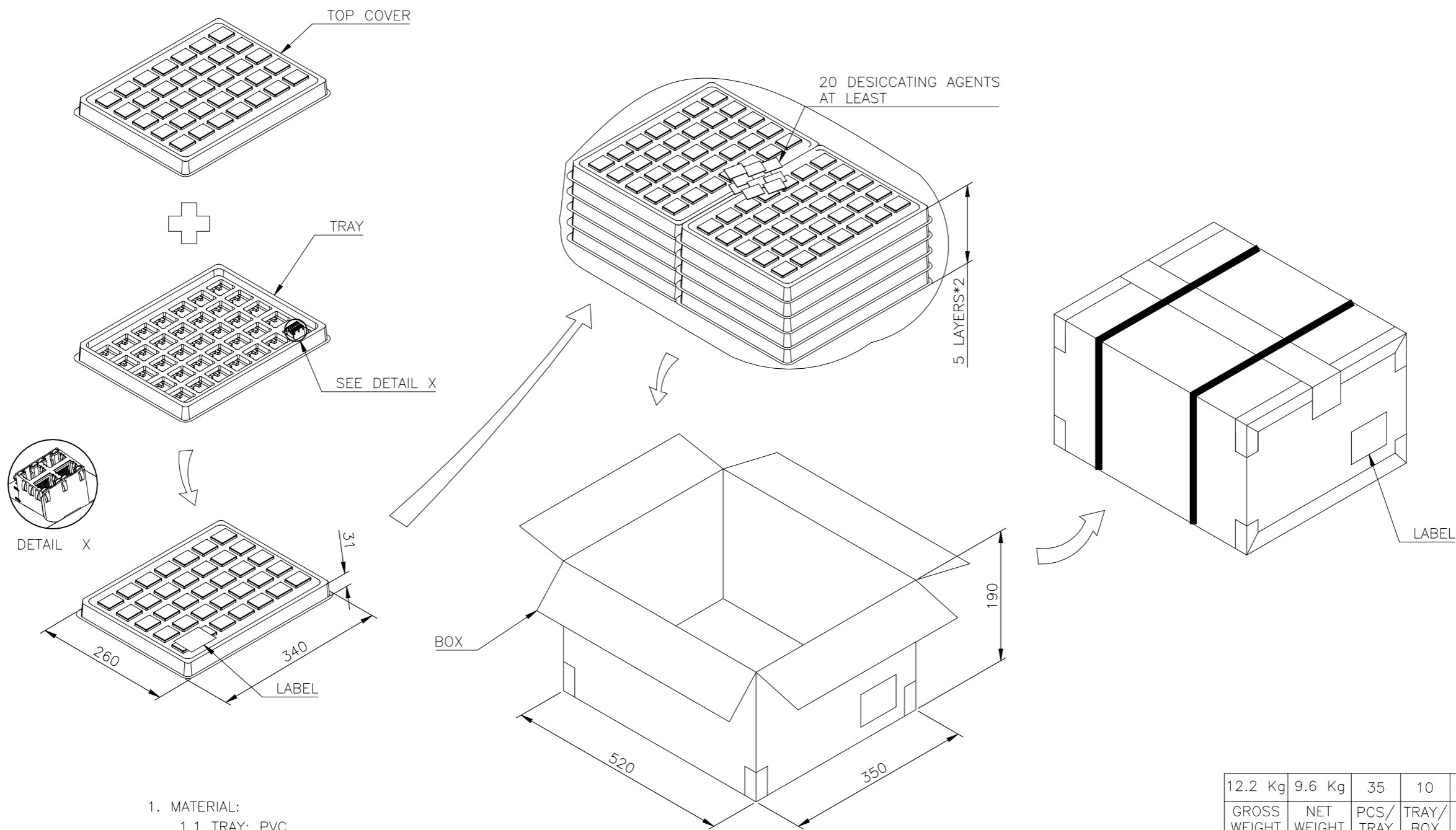
RECOMMENDED PCB THICKNESS: 1.6mm
TOLERANCE: ±0.05 (TOP VIEW)

2041376-5	PART NUMBER
-----------	-------------

THIS DRAWING IS A CONTROLLED DOCUMENT.		DWN S. LIU 06JULY2011	 TE Connectivity MODULAR JACK CONNECTOR RJ45, LED 2X2, SIDE ENTRY, SHIELDED DIP TYPE, H=25.4mm				
DIMENSIONS: mm		CHK S. CHIEN 06JULY2011				NAME	
TOLERANCES UNLESS OTHERWISE SPECIFIED:		APVD W. KODAMA 06JULY2011				PRODUCT SPEC	
0 PLC ± - 1 PLC ± 0.25 2 PLC ± 0.13 3 PLC ± 0.05 4 PLC ± - ANGLES ± *3		APPLICATION SPEC					
MATERIAL SEE NOTE		FINISH -	108-57879	SIZE	RESTRICTED TO		
			WEIGHT 0	CAGE CODE A300779	DRAWING NO C-2041376		
CUSTOMER DRAWING			SCALE 1:1	SHEET 5 OF 6	REV B2		

REVISIONS

P	LTR	DESCRIPTION	DATE	DWN	APVD
-	-	SEE SHEET 1	-	-	-



1. MATERIAL:
 - 1.1 TRAY: PVC.
 - 1.2 BOX: CORRUGATED FIBER.
 - 1.3 BAG: PE.
2. DIMENSION: SEE DRAWING
3. QUANTITY: SEE TABLE
4. WEIGHT: SEE TABLE
5. EACH BAG SHALL BE INCLUDED:
 - * DESICCANT

12.2 Kg	9.6 Kg	35	10	350
GROSS WEIGHT	NET WEIGHT	PCS/ TRAY	TRAY/ BOX	PCS/ BOX

THIS DRAWING IS A CONTROLLED DOCUMENT.		DWN S. LIU	06JULY2011	TE Connectivity MODULAR JACK CONNECTOR RJ45, LED 2X2, SIDE ENTRY, SHIELDED DIP TYPE											
DIMENSIONS: mm		CHK S. CHIEN	06JULY2011												
TOLERANCES UNLESS OTHERWISE SPECIFIED:		APVD W. KODAMA	06JULY2011												
<table border="0"> <tr><td>0 PLC</td><td>± -</td></tr> <tr><td>1 PLC</td><td>± -</td></tr> <tr><td>2 PLC</td><td>± -</td></tr> <tr><td>3 PLC</td><td>± -</td></tr> <tr><td>4 PLC</td><td>± -</td></tr> <tr><td>ANGLES</td><td>± -</td></tr> </table>		0 PLC	± -			1 PLC	± -	2 PLC	± -	3 PLC	± -	4 PLC	± -	ANGLES	± -
0 PLC	± -														
1 PLC	± -														
2 PLC	± -														
3 PLC	± -														
4 PLC	± -														
ANGLES	± -														
MATERIAL SEE NOTE		FINISH -		PRODUCT SPEC 108-57879 APPLICATION SPEC -											
		WEIGHT	0	SIZE	A3										
		CUSTOMER DRAWING		CAGE CODE	00779										
				DRAWING NO	C-2041376										
				RESTRICTED TO	-										
				SCALE	1:1										
				SHEET	6 of 6										
				REV	B2										