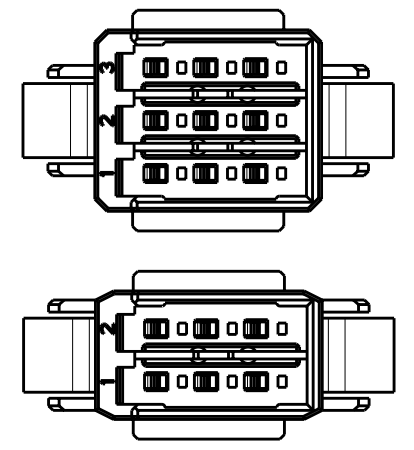
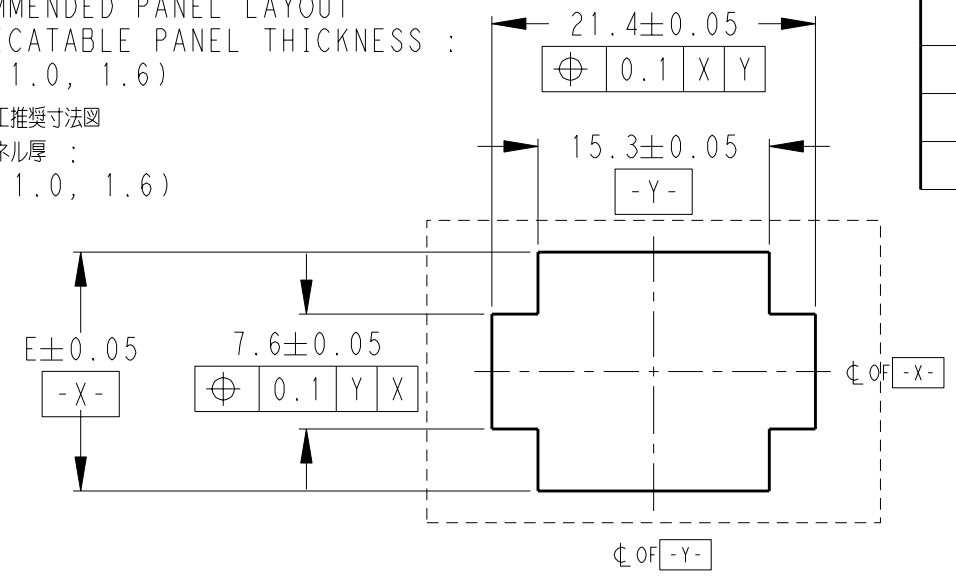
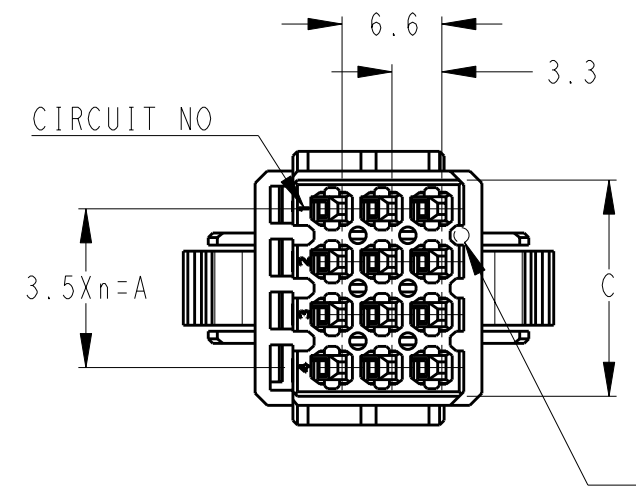


THIS DRAWING IS UNPUBLISHED. RELEASED FOR PUBLICATION 20

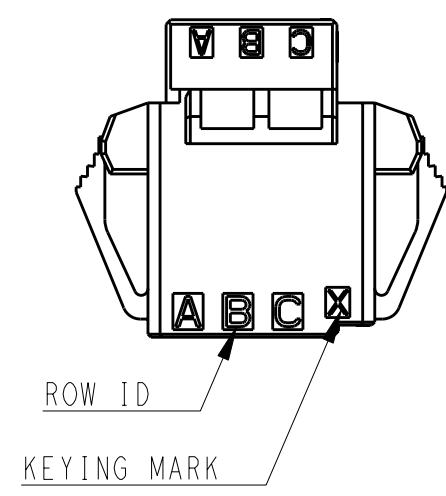
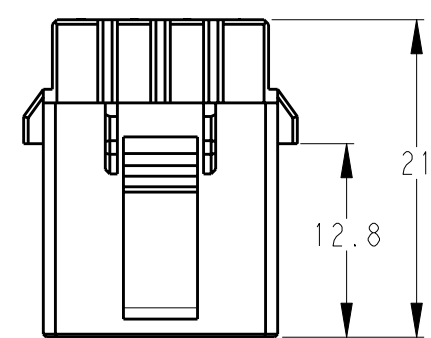
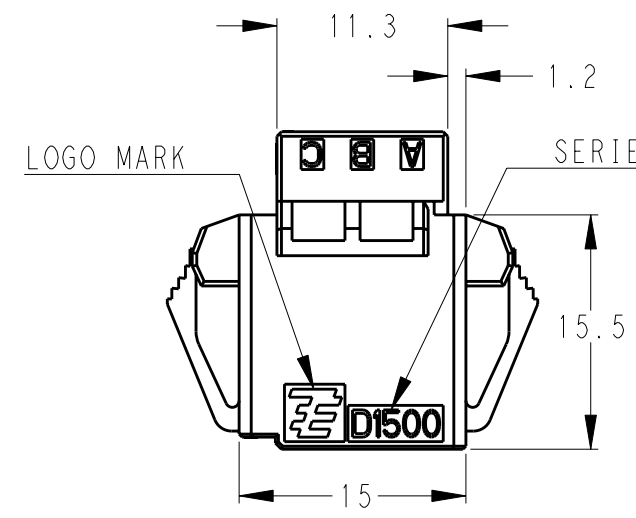
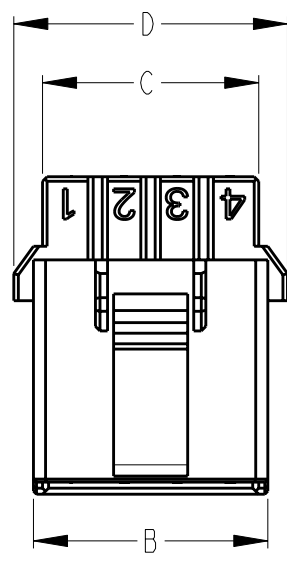
© COPYRIGHT 20 ALL RIGHTS RESERVED.

LOC	DIST	REVISIONS						
J	-	P	LTR	DESCRIPTION	ECN	DATE	DWN	APVD
			B	REVISED PER ECR-11-0025202		11MAR2010	HMR	TT

RECOMMENDED PANEL LAYOUT
 (APPLICABLE PANEL THICKNESS :
 0.8, 1.0, 1.6)
 パネル加工推奨寸法図
 (適用パネル厚 :
 0.8, 1.0, 1.6)



6POS(X-KEY): 1-2040404-2
 9POS(X-KEY): 1-2040404-3

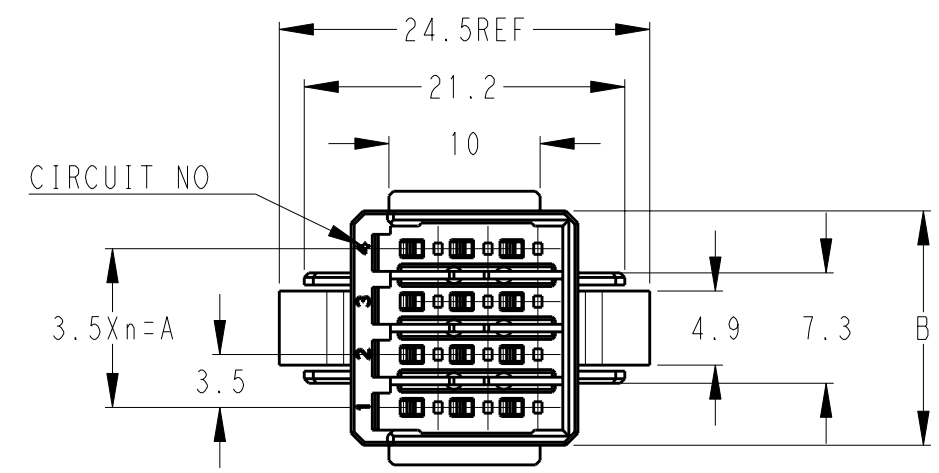


1. MATERIAL: GLASS FILLED THERMO PLASTIC POLYESTER(94V-0), COLOR: BLACK
 2. THE SHAPE, SIZE AND POSITION OF THE CHARACTER SHOW THE OUTLINE. THEY DON'T SHOW DETAILS.

1. 材料: ガラス入り熱可塑性ポリエステル樹脂(94V-0), 色: 黒
 2. 文字の形状、大きさ、および位置については、大略を示すものであり、詳細を示すものではありません。

AS SHOWN 12POS(X-KEY) : 1-2040404-4

POS	KEY	n	A	B	C	D	E	PART NO
36	X	11	38.5	43.5	42.3	-	43.8	3-2040404-2
12	X	3	10.5	15.5	14.3	18.1	15.8	1-2040404-4
9	X	2	7.0	12.0	10.8	14.6	12.3	1-2040404-3
6	X	1	3.5	8.5	7.3	11.1	8.8	1-2040404-2



THIS DRAWING IS A CONTROLLED DOCUMENT.		DWN	07NOV2008
		M. MAEBASHI	
		CHK	07NOV2008
		T. SAKAMOTO	
		APVD	07NOV2008
		A. OISHI	
DIMENSIONS: 単位: 概 mm		PRODUCT SPEC	108-78268, 78298
TOLERANCES UNLESS OTHERWISE SPECIFIED:		APPLICATION SPEC	114-5377
一般公差 ±0.3, ±5°		WEIGHT	-
0-PLC ±		CUSTOMER DRAWING	
1-PLC ±0.1		SCALE	2:1
2-PLC ±0.02		SHEET	1 OF 2
3-PLC ±0.005		REV	B
4-PLC ±0.0005			
ANGLES ±			
MATERIAL 材料	FINISH 仕上		

TE Connectivity		NAME 名称	
		DYNAMIC D1500T 3.5mm PITCH TAB HSG (PANEL MOUNT TYPE) 6-36POS	
SIZE	CAGE CODE	DRAWING NO 番号	RESTRICTED TO
A3	00779	C-2040404	-

THIS DRAWING IS UNPUBLISHED.

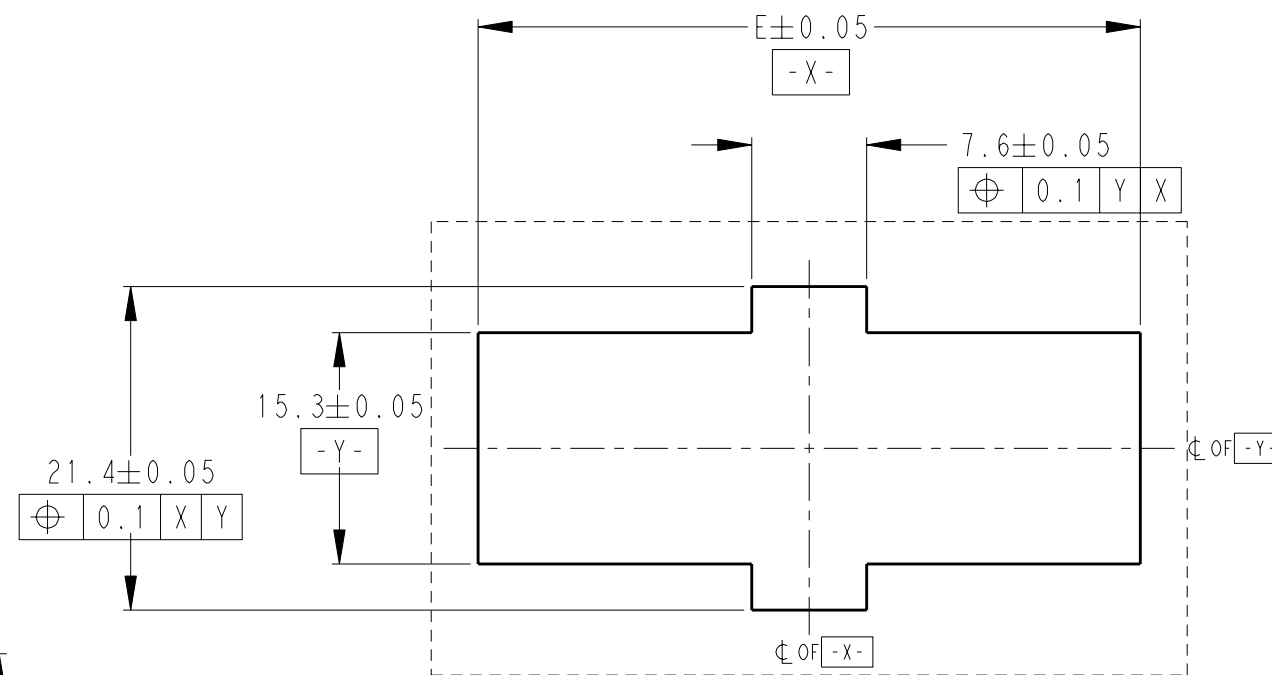
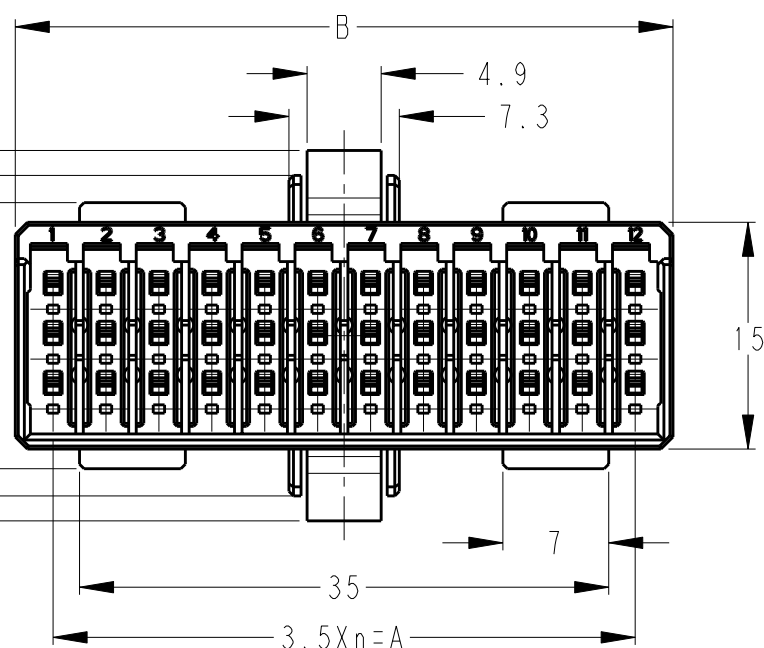
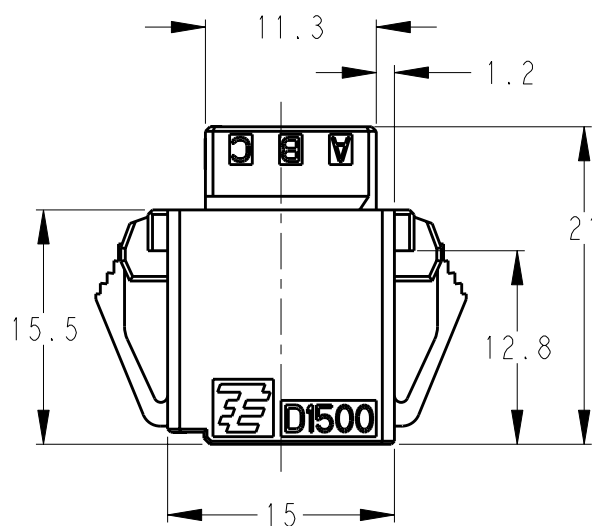
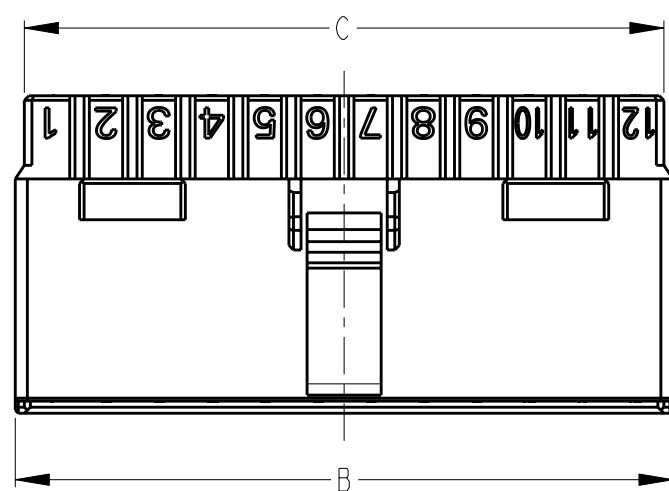
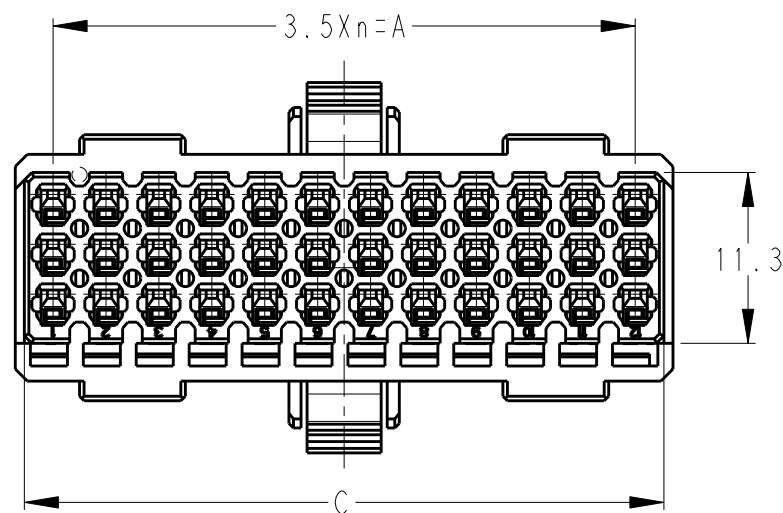
RELEASED FOR PUBLICATION

20

© COPYRIGHT 20

ALL RIGHTS RESERVED.

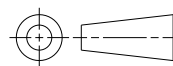
LOC	DIST	REVISIONS					
		P	LTR	DESCRIPTION	DATE	DWN	APVD
J	-	-	-	SEE SHEET 1	-	-	-



RECOMMENDED PANEL LAYOUT
 (APPLICABLE PANEL THICKNESS :
 0.8, 1.0, 1.6)
 パネル加工推奨寸法図
 (適用パネル厚 :
 0.8, 1.0, 1.6)

THIS DRAWING IS A CONTROLLED DOCUMENT.

DIMENSIONS:
mm



TOLERANCES UNLESS OTHERWISE SPECIFIED:

0 PLC	±-
1 PLC	±0.1
2 PLC	±0.02
3 PLC	±0.005
4 PLC	±0.0005
ANGLES	±-

MATERIAL -

FINISH -

DWN M. MAEBASHI 07NOV2008

CHK T. SAKAMOTO 07NOV2008

APVD A. OISHI 07NOV2008

PRODUCT SPEC

108-78268, 78298

APPLICATION SPEC

114-5377

WEIGHT -

CUSTOMER DRAWING



NAME
 DYNAMIC D1500T 3.5mmPITCH
 TAB HSG (PANEL MOUNT TYPE)
 6-36POS

SIZE	CAGE CODE	DRAWING NO	RESTRICTED TO
------	-----------	------------	---------------

A3	00779	C=2040404	-
----	-------	-----------	---

SCALE	SHEET	OF	REV
2:1	2	2	B