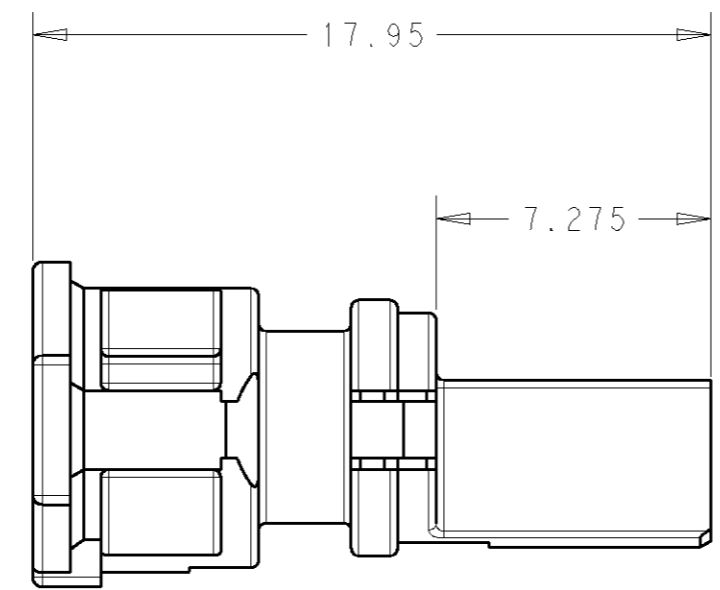
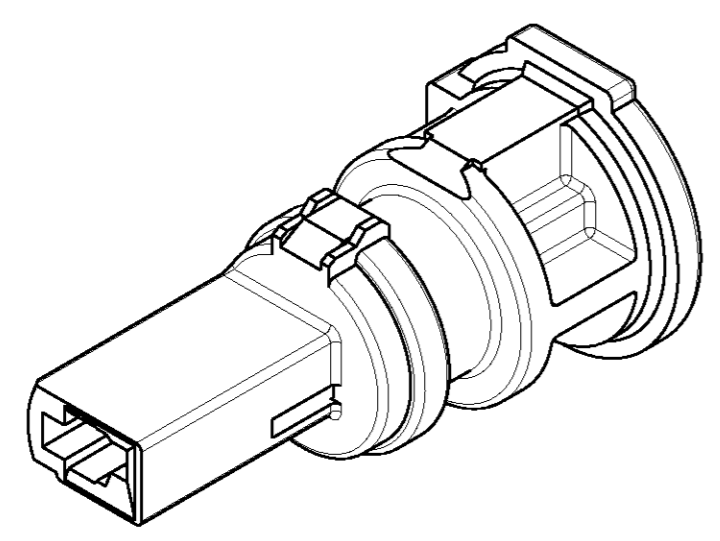
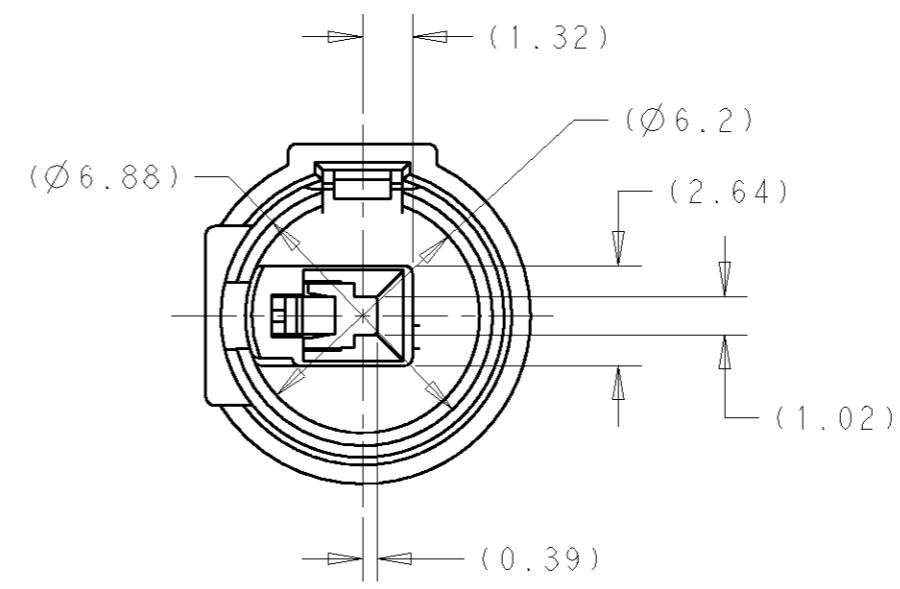
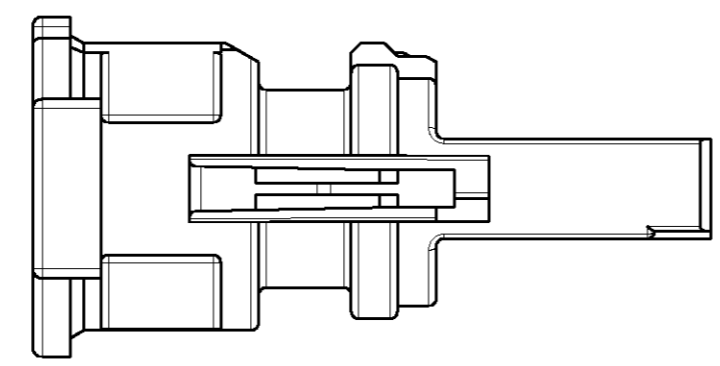
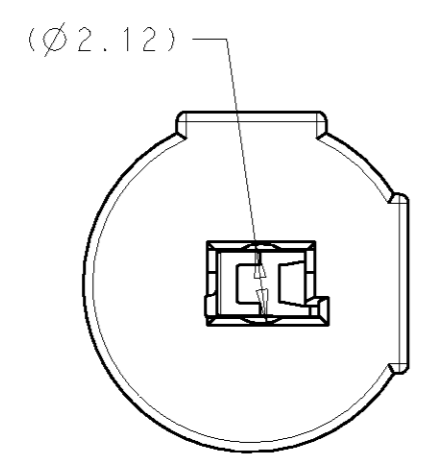


THIS DRAWING IS UNPUBLISHED. RELEASED FOR PUBLICATION 20
 © COPYRIGHT 20 BY TYCO ELECTRONICS CORPORATION. ALL INTERNATIONAL RIGHTS RESERVED.

LOC	DIST	REVISIONS			
P	LTR	DESCRIPTION	DATE	DWN	APVD
	A	RELEASED	30SEP2009	KP	LV



1. MATERIAL: NYLON 6/6, GRAY, ULTRAMID A3EG7, 35% GLASS FILLED. BLENDED WITH 25% MAX REGRIND.
2. HOUSING IS DESIGNED FOR FEMALE TERMINAL I45684I AND I456574 WITH MAX WIRE INSULATION O.D. OF 2.0mm.



ISOMETRIC VIEW
SCALE 5:1

2035307-1
PART NUMBER

<small>THIS DRAWING IS A CONTROLLED DOCUMENT FOR TYCO ELECTRONICS CORPORATION. IT IS SUBJECT TO CHANGE AND THE CONTROLLING ENGINEERING ORGANIZATION SHOULD BE CONTACTED FOR THE LATEST REVISION.</small>		DWN: 30SEP2009 K. PETERSON CHK: 30SEP2009 L. VARSIK APVD: 30SEP2009 L. VARSIK	Tyco Electronics Tyco Electronics Harrisburg, PA 17105-3608
DIMENSIONS: mm 	TOLERANCES UNLESS OTHERWISE SPECIFIED: 0 PLC ± 1 PLC ±0.1 2 PLC ±0.05 3 PLC ± 4 PLC ± ANGLES ±1 FINISH -	PRODUCT SPEC - APPLICATION SPEC - WEIGHT - CUSTOMER DRAWING	NAME: INSERT, PLUG, HYBRID GEN Y, FAKRA IV SIZE: A200779 CAGE CODE: C-2035307 DRAWING NO: 2035307-1 RESTRICTED TO: - SCALE: 5:1 SHEET 1 OF 1 REV A