

# Thermofit<sup>®</sup> Molded Parts Specification Control Drawing Limited Distribution

Part Number : 202K163-25-02/225

Description : Boot, Straight With Lip

## NOTES

- All dimensions are in  $\frac{\text{inches}}{\text{millimeters}}$
- Dimensions appearing in table are as follows:  
 a - As Supplied  
 b - After Unrestricted Recovery
- Coating is optional. As supplied dimensions appearing in table are for uncoated parts. When coating is added, entry diameters will be reduced by .06 max.
- Eyelet Clip (000WZ12) is included with each part except those of -12. Clip is cadmium plated and olive drab color to Spec. Q0-P-416 Type II Class 3.

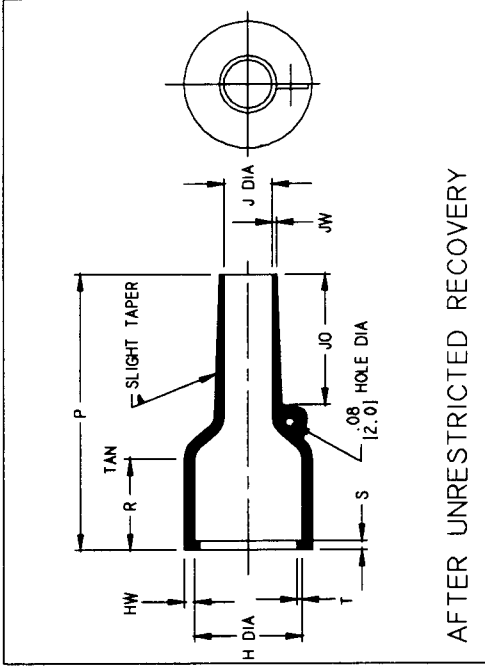
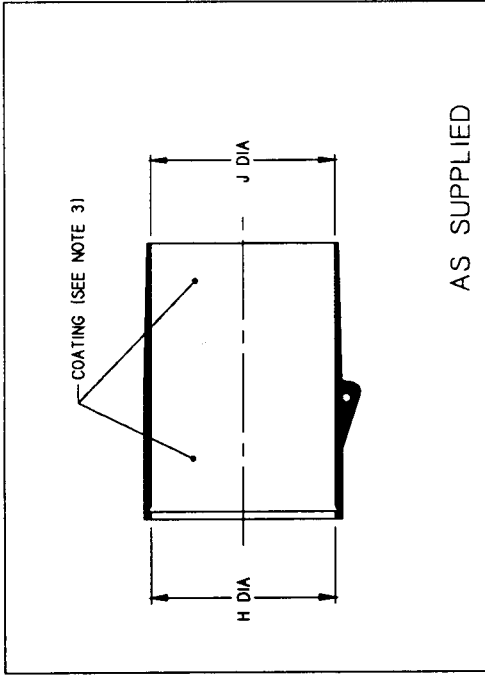


TABLE OF DIMENSIONS

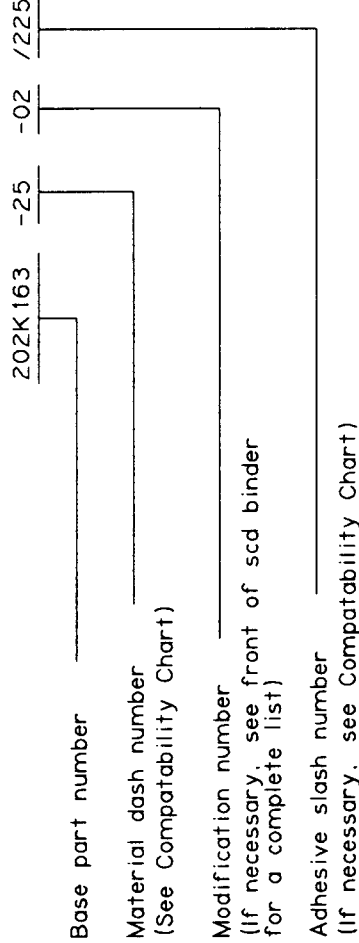
PART NUMBER	H		J		P	R	S	T	JO	HW	JW
	Min a	Max b	Min a	Max b							
202K163-25-02/225	1.69 [43.0]	1.11 [28.2]	1.69 [43.0]	.39 [9.9]	2.32 [59.0]	.83 [21.0]	.12 [3.0]	.07 [1.7]	.82 [21.0]	.08 [2.2]	.032 [0.81]
					± 10%	± 10%	± 10%	± 10%	± 10%	± 20%	Min
					b	b	b	b	b	b	b

# Thermofit<sup>®</sup> Molded Parts Specification Control Drawing Limited Distribution

Part Number : 202K163-25-02/225  
Description : Boot, Straight with Lip

COMPATABILITY CHART					
MATERIAL DASH NO.	MATERIAL DESCRIPTION	RT SPEC	COATING SLASH NO.	COATING S NO.	COATING DESCRIPTION
-25	Elastomer, Fluid Resistant	RT-1325	/225	S-1206	Adhesive

## ORDERING INFORMATION



THIS DRAWING IS SUBJECT TO CHANGE WITHOUT NOTICE: CONSULT YOUR  
NEAREST FIELD REPRESENTATIVE FOR CURRENT REVISION

**Raychem**  
RAYCHEM CORPORATION  
300 CONSTITUTION DRIVE  
MENLO PARK, CALIFORNIA 94025  
(415) 361-6055

Revision : C  
Date : 7/30/92

Part Number : 202K163-25-02/225  
Description : Boot, Straight With Lip  
CAD FILE MP9235