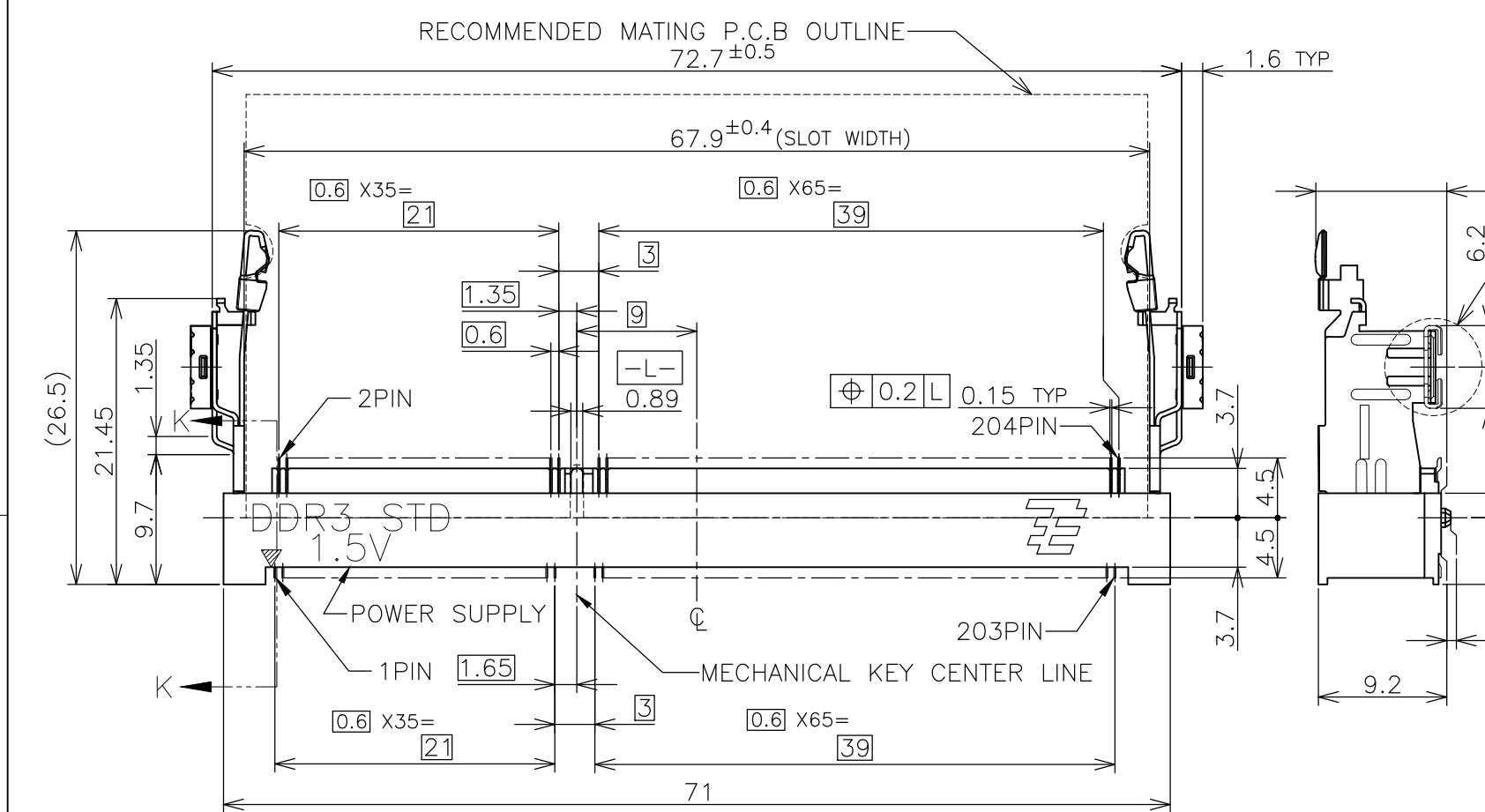
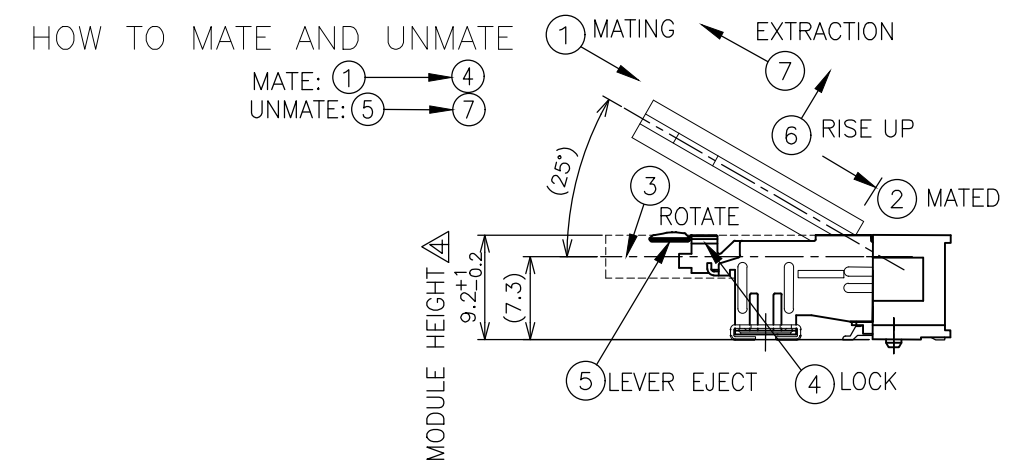
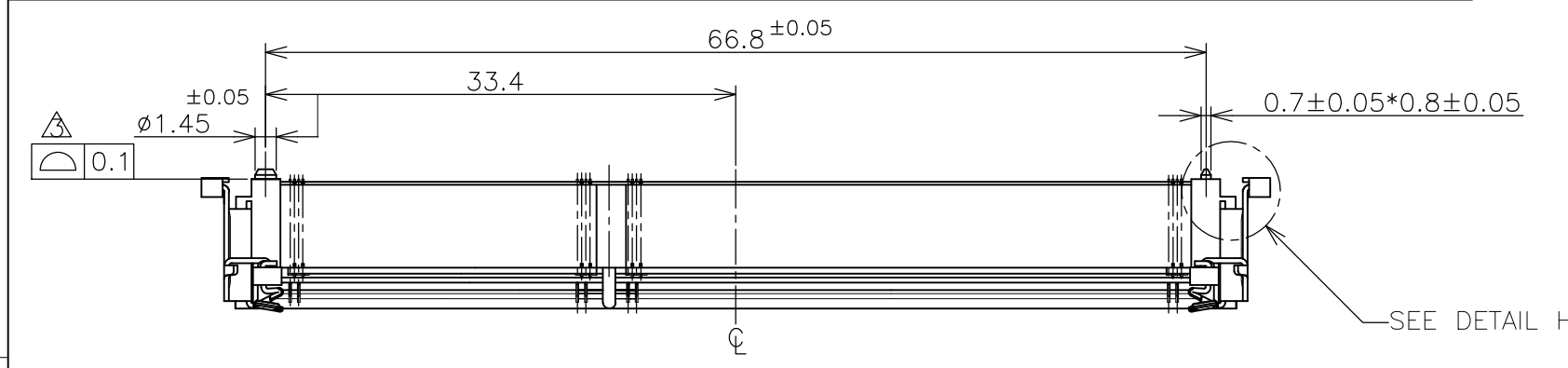
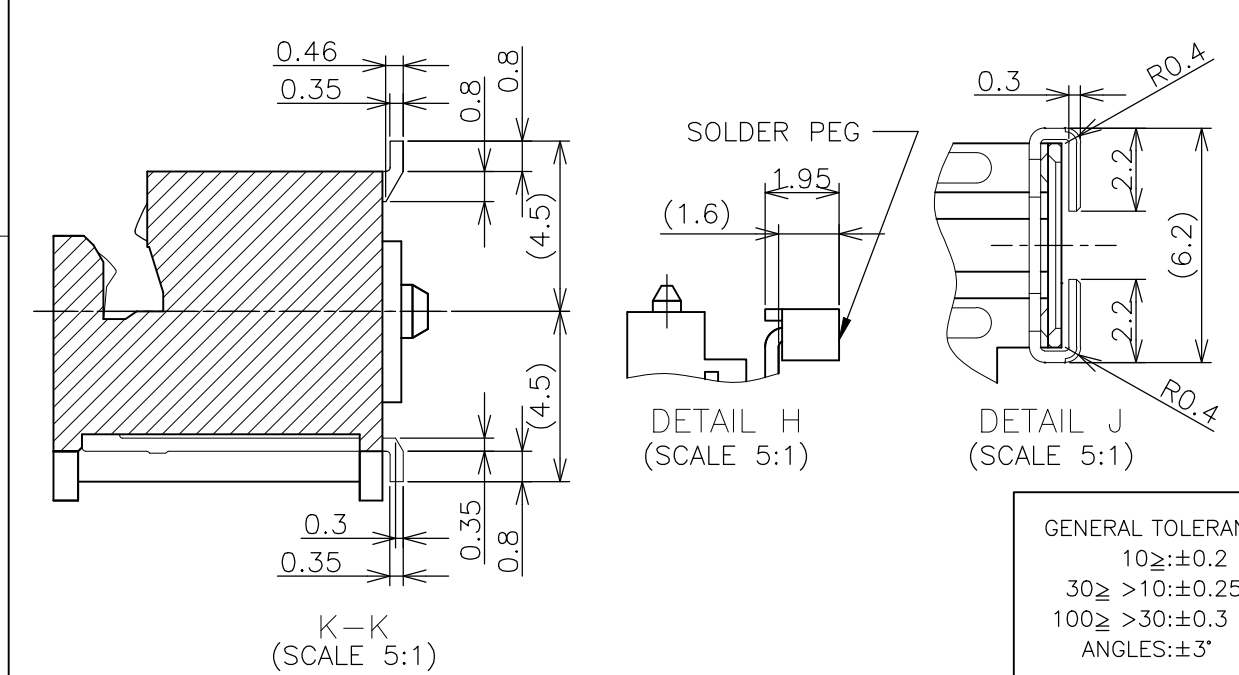


THIS DRAWING IS UNPUBLISHED. RELEASED FOR PUBLICATION . . . SEP 2007
 © COPYRIGHT 2007 By - ALL RIGHTS RESERVED.

LOC	DIST	REVISIONS			
P	LTR	DESCRIPTION	DATE	DWN	APVD
J	/	D1	REVISED PER ECR-20-005200	08APR2020	D.Z S.L



- (APPLIED TO SHEET 1-2)
- MATERIAL ; HOUSING: HIGH TEMPERATURE THERMO PLASTIC UL94V-0
 COLOR: SEE TABLE
 CONTACT: COPPER ARROY
 LOCK LEVER: STAINLESS STEEL
 PEG: COPPER ARROY
 - 2-1. FINISH ; CONTACT AREA: GOLD FLASH
 ALL OVER NICKEL.
 SOLDERING AREA: GOLD FLASH PLATING
 PEG: TIN PLATING.
 - 2-2. FINISH ; CONTACT AREA: 0.000254MIN GOLD
 ALL OVER NICKEL.
 SOLDERING AREA: GOLD FLASH PLATING
 PEG: TIN PLATING.
 - 2-3. FINISH ; CONTACT AREA: 0.00076MIN GOLD
 ALL OVER NICKEL.
 SOLDERING AREA: GOLD FLASH PLATING
 PEG: TIN PLATING.
- △ COPLANARITY: 0.1 MAX. (BEFORE SOLDERING)
 △ THE FLOATING VALUE BY SOLDERING IS NOT INCLUDED.
 △ NOT MATING CONDITION.
6. IF THE MODULE DOESN'T INSERT AND LOCK IN THE LATCH SMOOTHLY,
 OPEN WIDE BOTH LATCHES BY MANUAL. AND THE MODULE MUST BE
 INSERTED AND LOCKED IN THE LATCH.



GENERAL TOLERANCE
 10 ≥ : ±0.2
 30 ≥ > 10 : ±0.25
 100 ≥ > 30 : ±0.3
 ANGLES : ±3°


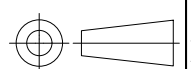
THIS DRAWING IS A CONTROLLED DOCUMENT.		DWN T.FUMIKURA 18SEP2007	STE TE Connectivity	
DIMENSIONS: MM		CHK K.IKEGAMI 18SEP2007		
TOLERANCES UNLESS OTHERWISE SPECIFIED:		APVD K.IKEGAMI 18SEP2007	NAME	
0 PLC ±		DDR3 SODIMM SOCKET		
1 PLC ±		0.6mm PITCH 204POS		
2 PLC ±		9.2mm HEIGHT STANDARD TYPE		
3 PLC ±		SIZE CAGE CODE DRAWING NO RESTRICTED TO		
4 PLC ±		108-78493		
ANGLES ±		A3 00779 C-2013310		
FINISH		WEIGHT 6.2g		
MATERIAL		CUSTOMER DRAWING SCALE 2:1 SHEET 1 OF 6 REV D1		

THIS DRAWING IS UNPUBLISHED. RELEASED FOR PUBLICATION .SEP 2007
 © COPYRIGHT 2007 By - ALL RIGHTS RESERVED.

LOC		DIST		REVISIONS			
P	LTR	DESCRIPTION	DATE	DWN	APVD		
	-	SEE SHEET 1	-	-	-		

TOOLING STATUS	PACKAGING TYPE	REMARK	HOUSING COLOR	FINISH	POWER SUPPLY	POS	PART NO.
AVAILABLE	SEMI-HARD TRAY (SEE SHEET 5)	WITH BOSS	BLACK	NOTE 2-3	1.5V	204	4-2013310-3
AVAILABLE	ENBOSS (SEE SHEET 6)	WITHBOSS	BLACK	NOTE 2-3	1.5V	204	2-2013310-3
AVAILABLE	ENBOSS (SEE SHEET 6)	WITHBOSS	BLACK	NOTE 2-2	1.5V	204	2-2013310-2
AVAILABLE	ENBOSS (SEE SHEET 6)	WITHBOSS	BLACK	NOTE 2-1	1.5V	204	2-2013310-1
AVAILABLE	SEMI-HARD TRAY (SEE SHEET 5)	WITH BOSS	BLACK	NOTE 2-3	1.5V	204	2013310-3
AVAILABLE	SEMI-HARD TRAY (SEE SHEET 5)	WITH BOSS	BLACK	NOTE 2-2	1.5V	204	2013310-2
AVAILABLE	SEMI-HARD TRAY (SEE SHEET 5)	WITH BOSS	BLACK	NOTE 2-1	1.5V	204	2013310-1

THIS DRAWING IS A CONTROLLED DOCUMENT.

DIMENSIONS: MM	TOLERANCES UNLESS OTHERWISE SPECIFIED: 0 PLC ± 1 PLC ± 2 PLC ± 3 PLC ± 4 PLC ± ANGLES ±	DWN	 TE Connectivity NAME DDR3 SODIMM SOCKET 0.6mm PITCH 204POS 9.2mm HEIGHT STANDARD TYPE
	MATERIAL	CHK	
	FINISH	APVD	
		PRODUCT SPEC	
		APPLICATION SPEC	SIZE
		WEIGHT	CAGE CODE
			DRAWING NO
			RESTRICTED TO

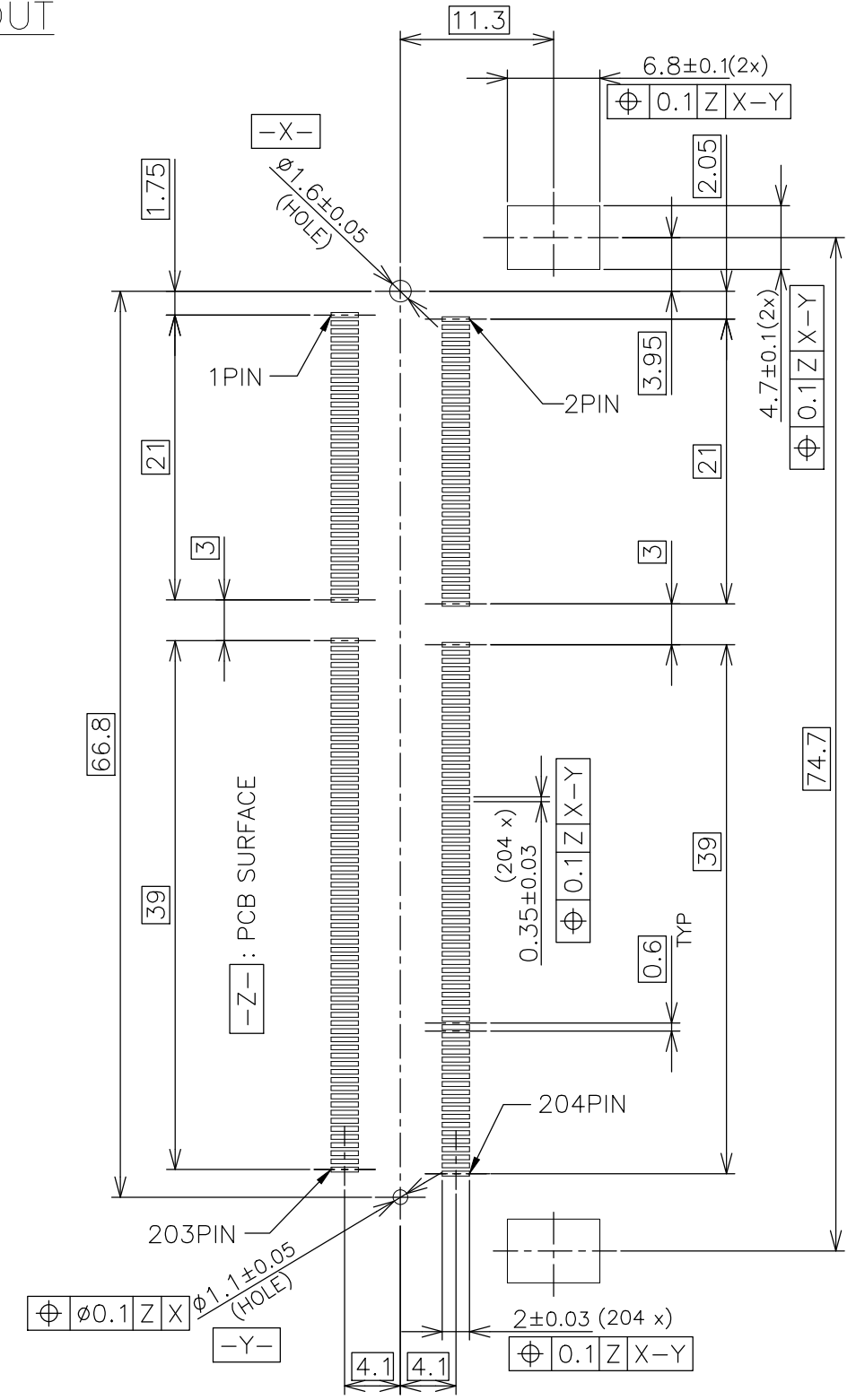
A3 00779 C-2013310

CUSTOMER DRAWING SCALE 2:1 SHEET 2 OF 6 REV D1


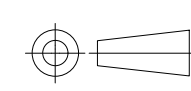
THIS DRAWING IS UNPUBLISHED. RELEASED FOR PUBLICATION .SEP 2007
 © COPYRIGHT 2007 By - ALL RIGHTS RESERVED.

LOC	DIST	REVISIONS			
P	LTR	DESCRIPTION	DATE	DWN	APVD
J	/	SEE SHEET 1	-	-	-

REFERENCE P.C.BOARD PATTERN LAYOUT
 (CONNECTOR MOUNTING SIDE)



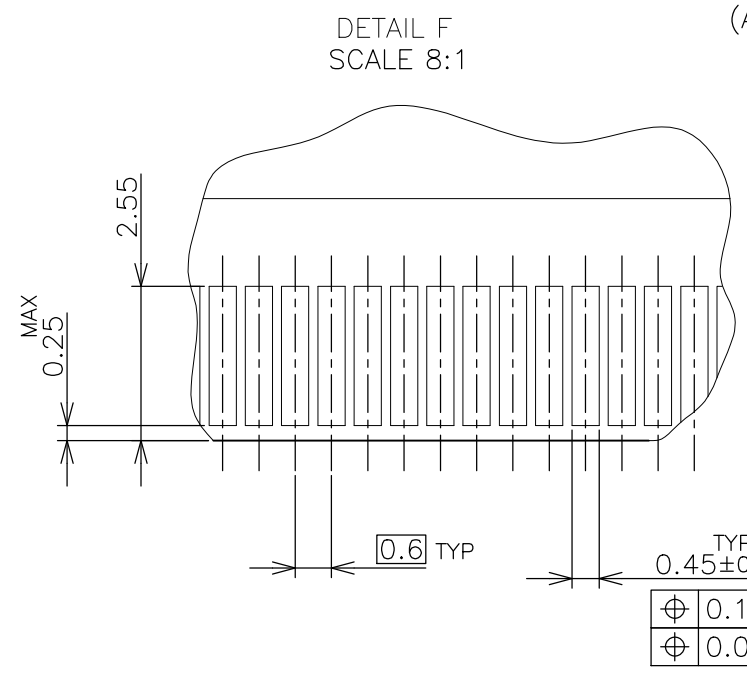
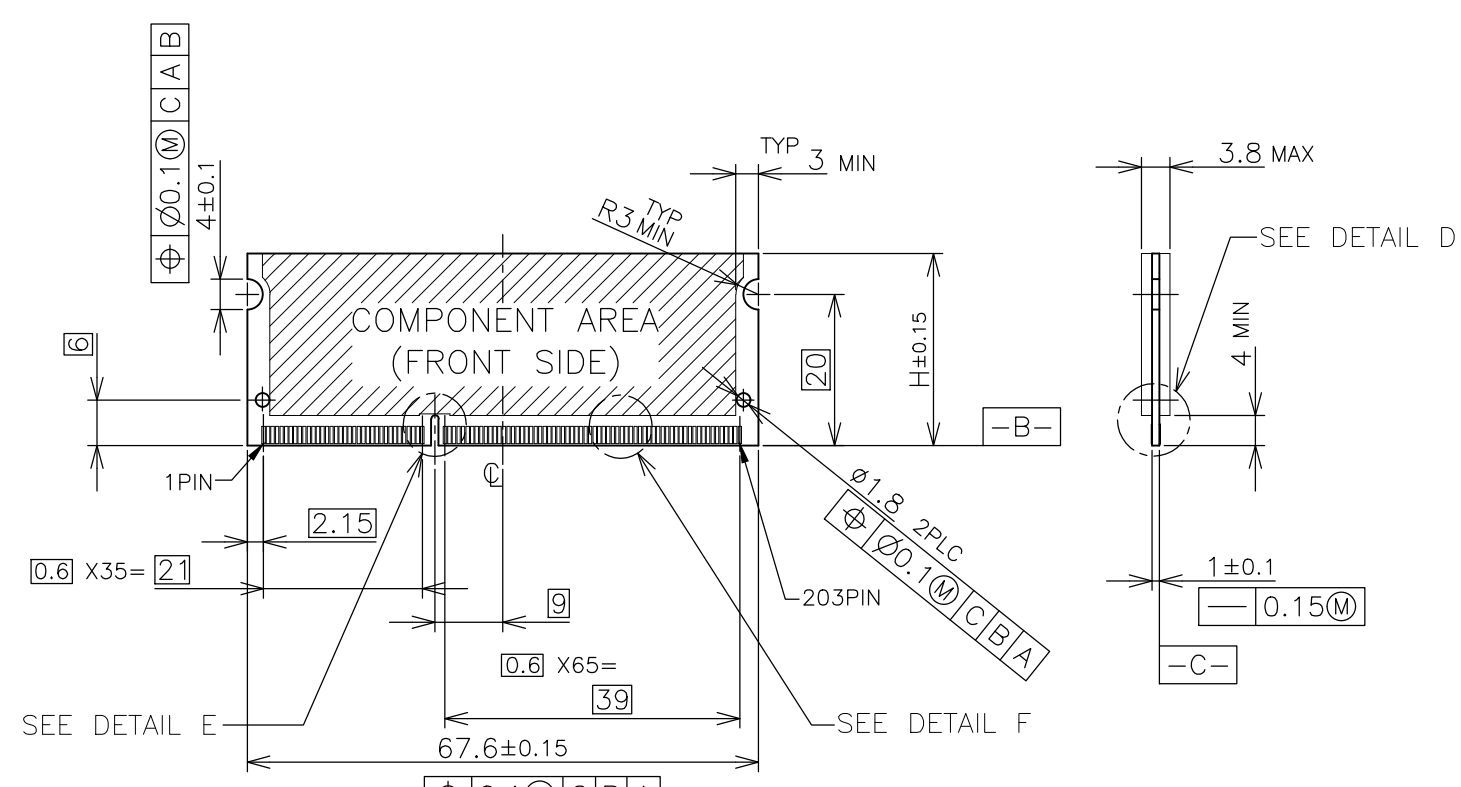
STD TYPE

THIS DRAWING IS A CONTROLLED DOCUMENT.		DWN	 TE Connectivity NAME DDR3 SODIMM SOCKET 0.6mm PITCH 204POS 9.2mm HEIGHT STANDARD TYPE					
DIMENSIONS: MM		CHK				PRODUCT SPEC	SIZE	CAGE CODE
TOLERANCES UNLESS OTHERWISE SPECIFIED: 0 PLC ± 1 PLC ± 2 PLC ± 3 PLC ± 4 PLC ± ANGLES ± MATERIAL FINISH		APVD				APPLICATION SPEC	DRAWING NO	RESTRICTED TO
		WEIGHT				A3 00779 C-2013310		
CUSTOMER DRAWING			SCALE	SHEET	REV			
			2:1	3 OF 6	D1			

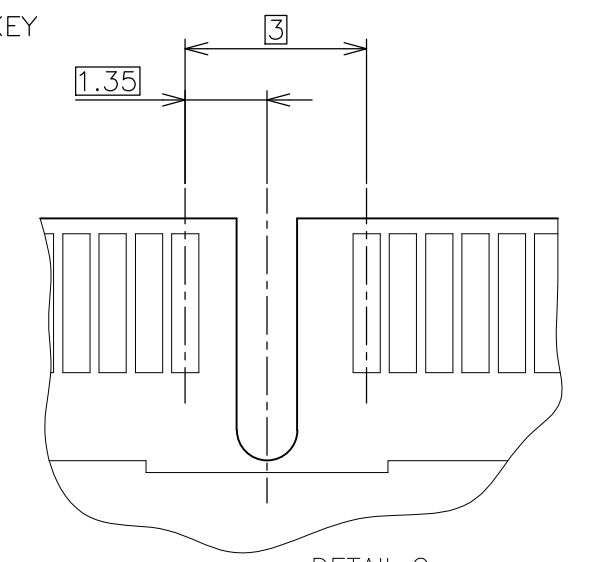
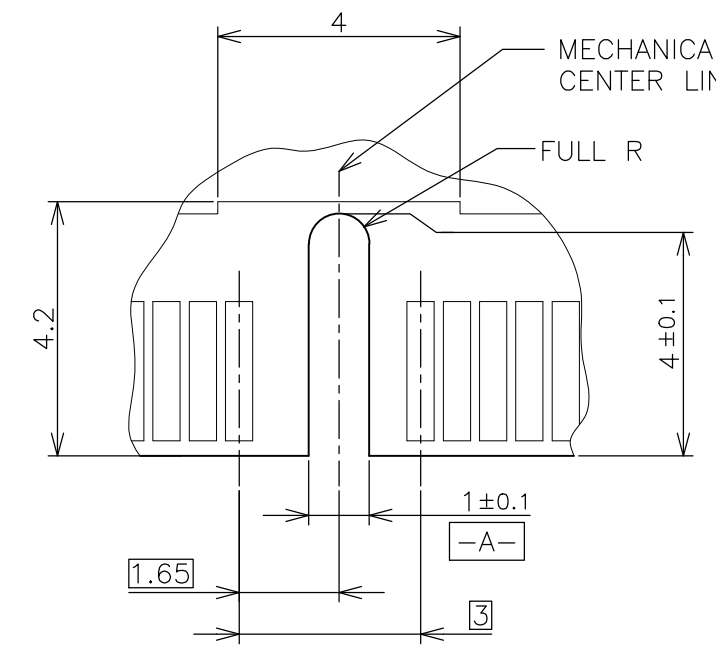
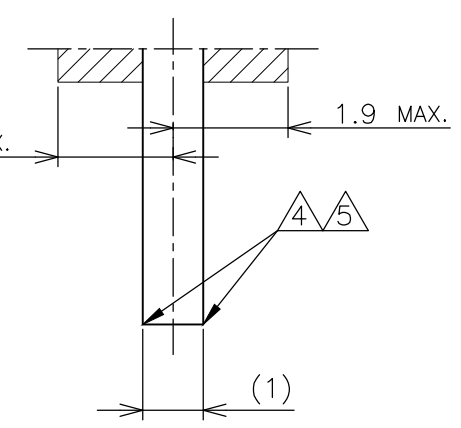
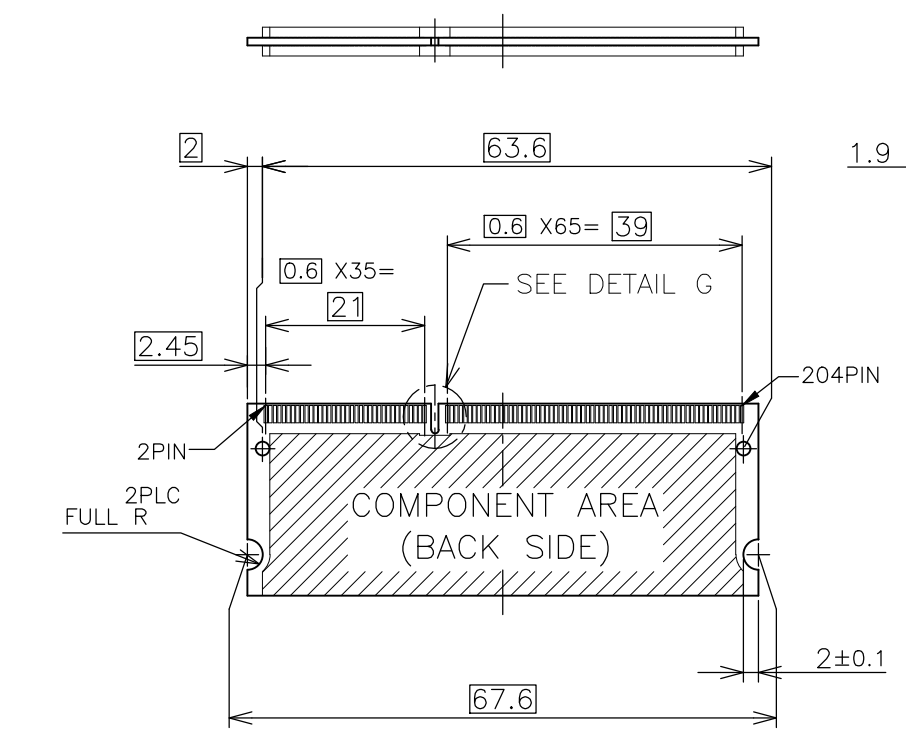
THIS DRAWING IS UNPUBLISHED. RELEASED FOR PUBLICATION .SEP 2007
 © COPYRIGHT 2007 By - ALL RIGHTS RESERVED.

LOC		DIST		REVISIONS		
P	LTR	DESCRIPTION	DATE	DWN	APVD	
		SEE SHEET 1	-	-	-	

REFERENCE MATING P.C.B CONFIGURATION



- (APPLIED TO SHEET 4)
1. TOLERANCES ON ALL DIMENSIONS ±0.15 UNLESS OTHERWISE SPECIFIED.
 2. P.C. BOARD THICKNESS APPLIES ACROSS TABS AND INCLUDES PLATING AND/OR METALIZATION.
 3. FINISH OF PAD : GOLD PLATING 0.00076 MIN. OVER Ni PLATING 0.002MIN.
 4. NO BURR
 5. CHAMFER 0.25 MAX x 45° IF EXIST.



30	CA
31.75	BA
25.4	AA
H	SDRAM VARIATIONS

THIS DRAWING IS A CONTROLLED DOCUMENT.		DWN		TE Connectivity DDR3 SODIMM SOCKET 0.6mm PITCH 204POS 9.2mm HEIGHT STANDARD TYPE	
DIMENSIONS: MM		CHK			
TOLERANCES UNLESS OTHERWISE SPECIFIED:		APVD			
0 PLC ± 1 PLC ± 2 PLC ± 3 PLC ± 4 PLC ± ANGLES ± FINISH ±		NAME			
MATERIAL		PRODUCT SPEC		SIZE CAGE CODE DRAWING NO RESTRICTED TO	
		APPLICATION SPEC		A3 00779 C-2013310	
		WEIGHT		SCALE 2:1 SHEET 4 OF 6 REV D1	
CUSTOMER DRAWING					

4

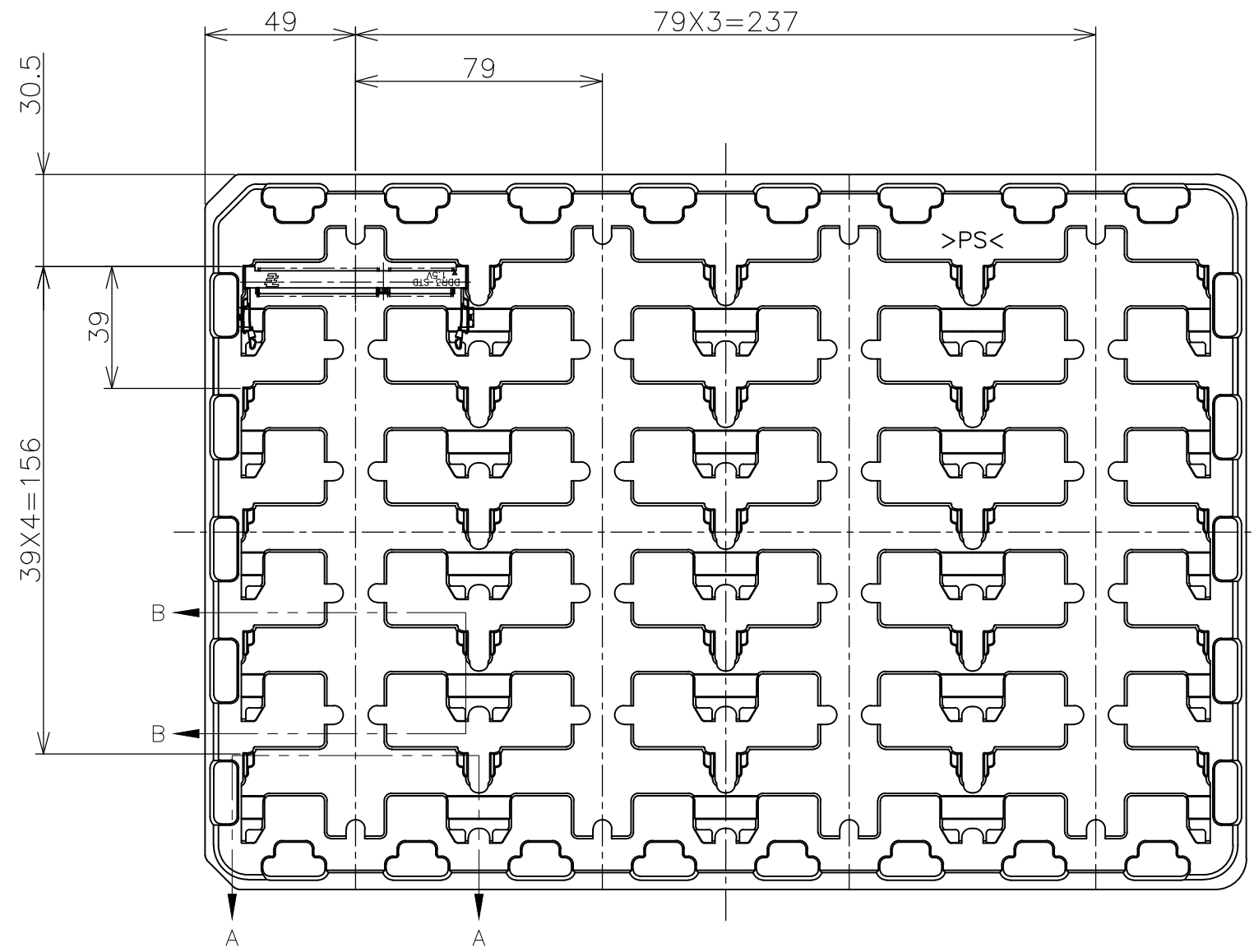
3

2

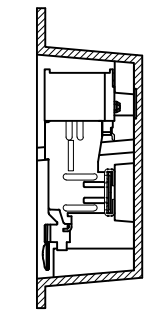
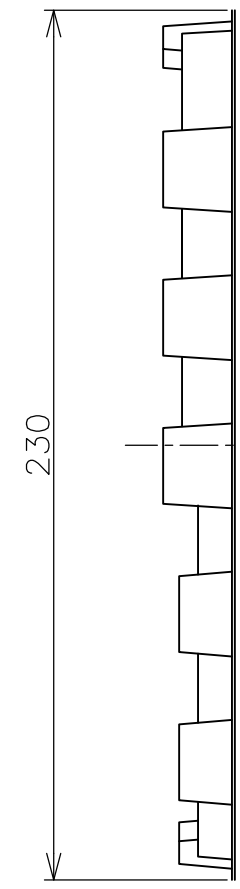
1

THIS DRAWING IS UNPUBLISHED. RELEASED FOR PUBLICATION .SEP 2007
 © COPYRIGHT 2007 By - ALL RIGHTS RESERVED.

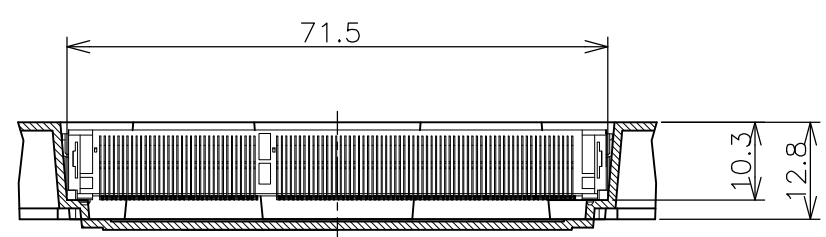
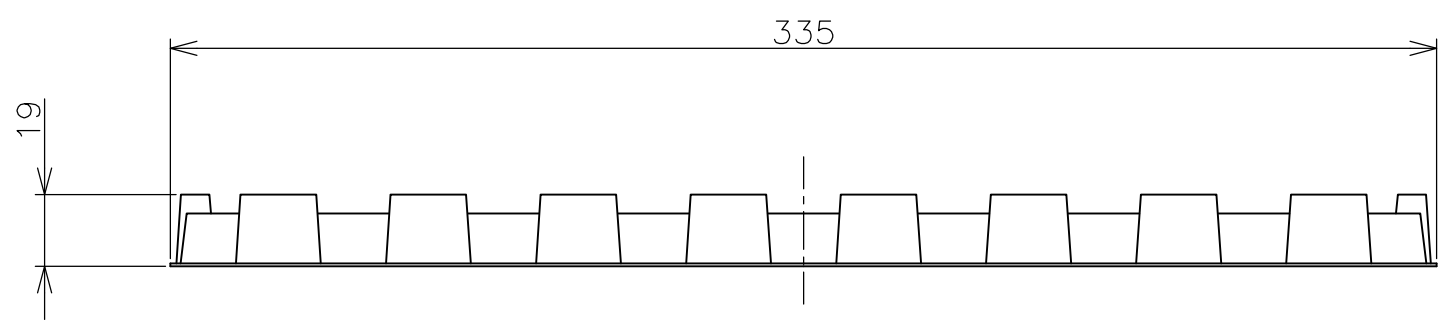
LOC	DIST	REVISIONS			
P	LTR	DESCRIPTION	DATE	DWN	APVD
J	/	SEE SHEET 1	-	-	-



(APPLIED TO SHEET 5)
 1. THE DIRECTION OF EACH CONNECTOR ON A TRAY IS REFERRED TO THIS DRAWING.
 2. GENERAL TOLERANCE: ±0.5, ±3°



B-B
SCALE 1:1



A-A
SCALE 1:1
(180DEG. ROTATE)

200EA	20EA	*- 2013310-*
QTY/BOX	QTY/TRAY	PART NO.

THIS DRAWING IS A CONTROLLED DOCUMENT.		DWN		STE TE Connectivity	
DIMENSIONS: MM		CHK			
TOLERANCES UNLESS OTHERWISE SPECIFIED:		APVD		NAME	
0 PLC ± 0.5		PRODUCT SPEC		DDR3 SODIMM SOCKET	
1 PLC ± 0.5		APPLICATION SPEC		0.6mm PITCH 204POS	
2 PLC ± 0.5		WEIGHT		9.2mm HEIGHT STANDARD TYPE	
3 PLC ± 0.5		SIZE		A3	
4 PLC ± 0.5		CAGE CODE		00779	
ANGLES ± 3°		DRAWING NO		C-2013310	
FINISH		RESTRICTED TO		-	
MATERIAL		CUSTOMER DRAWING		SCALE 1:2	
		SHEET 5 OF 6		REV D1	

4

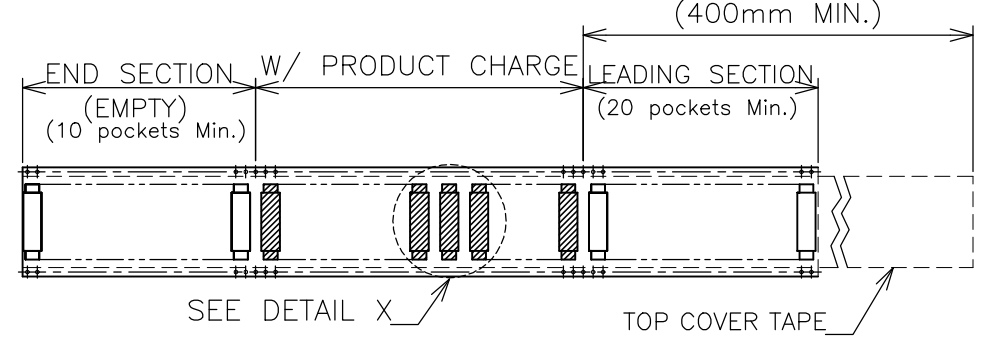
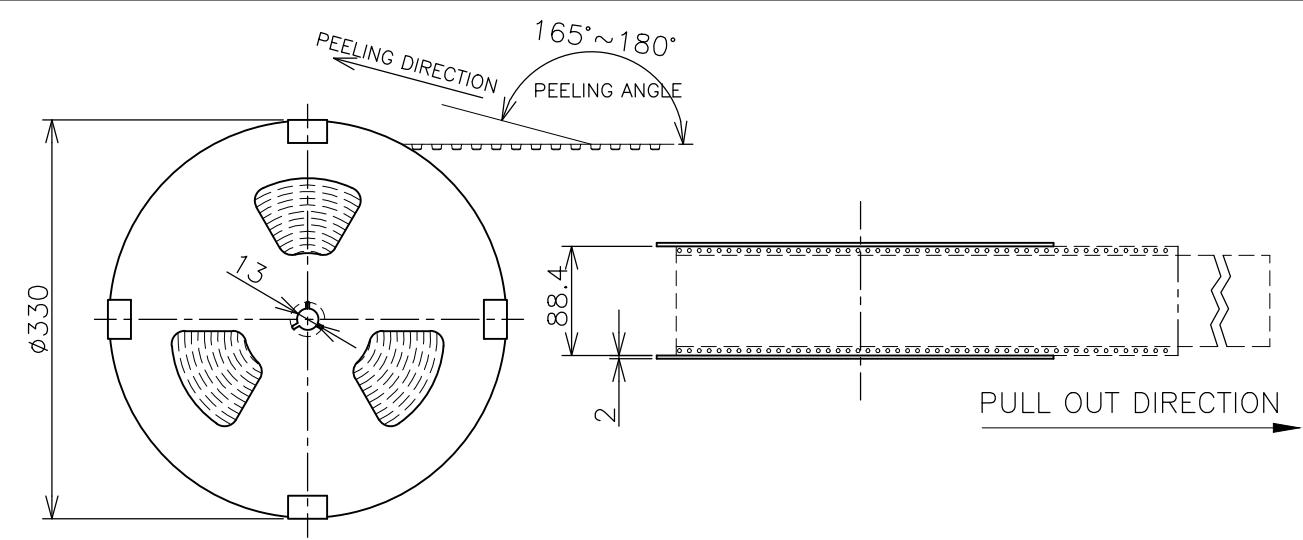
3

2

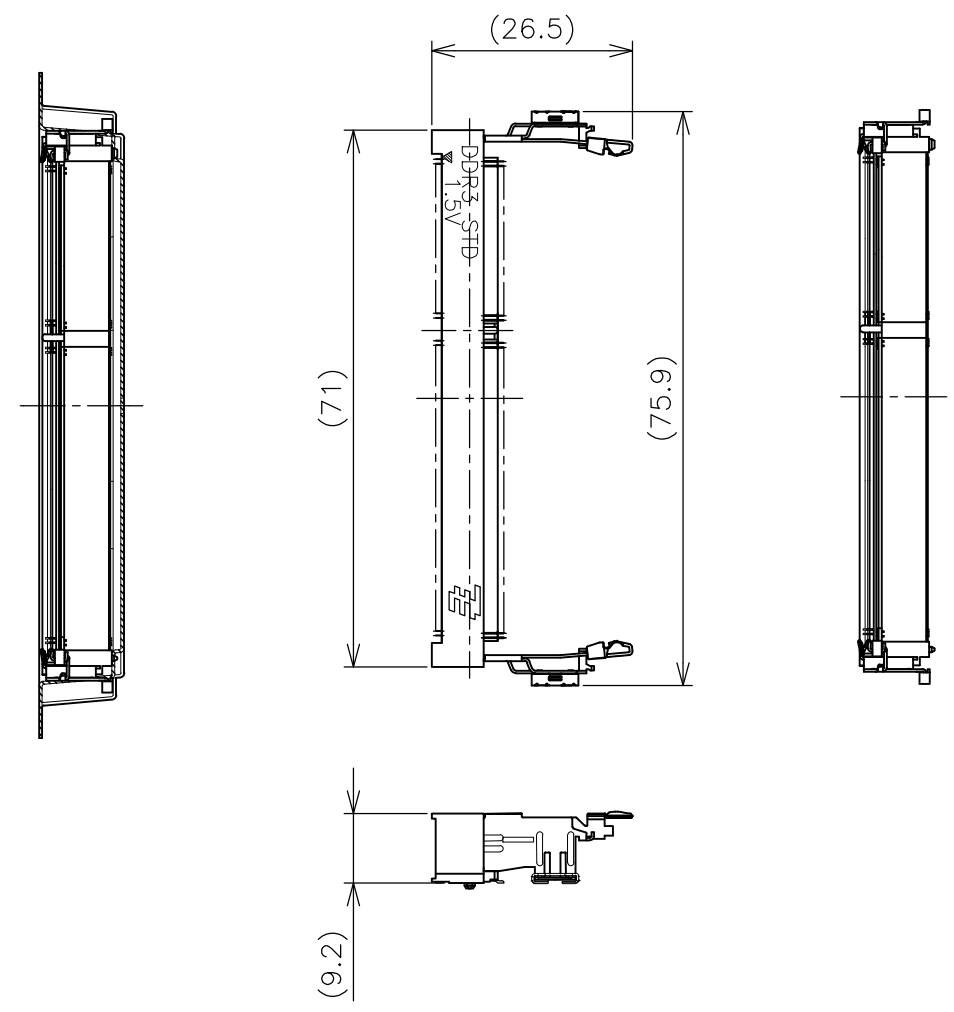
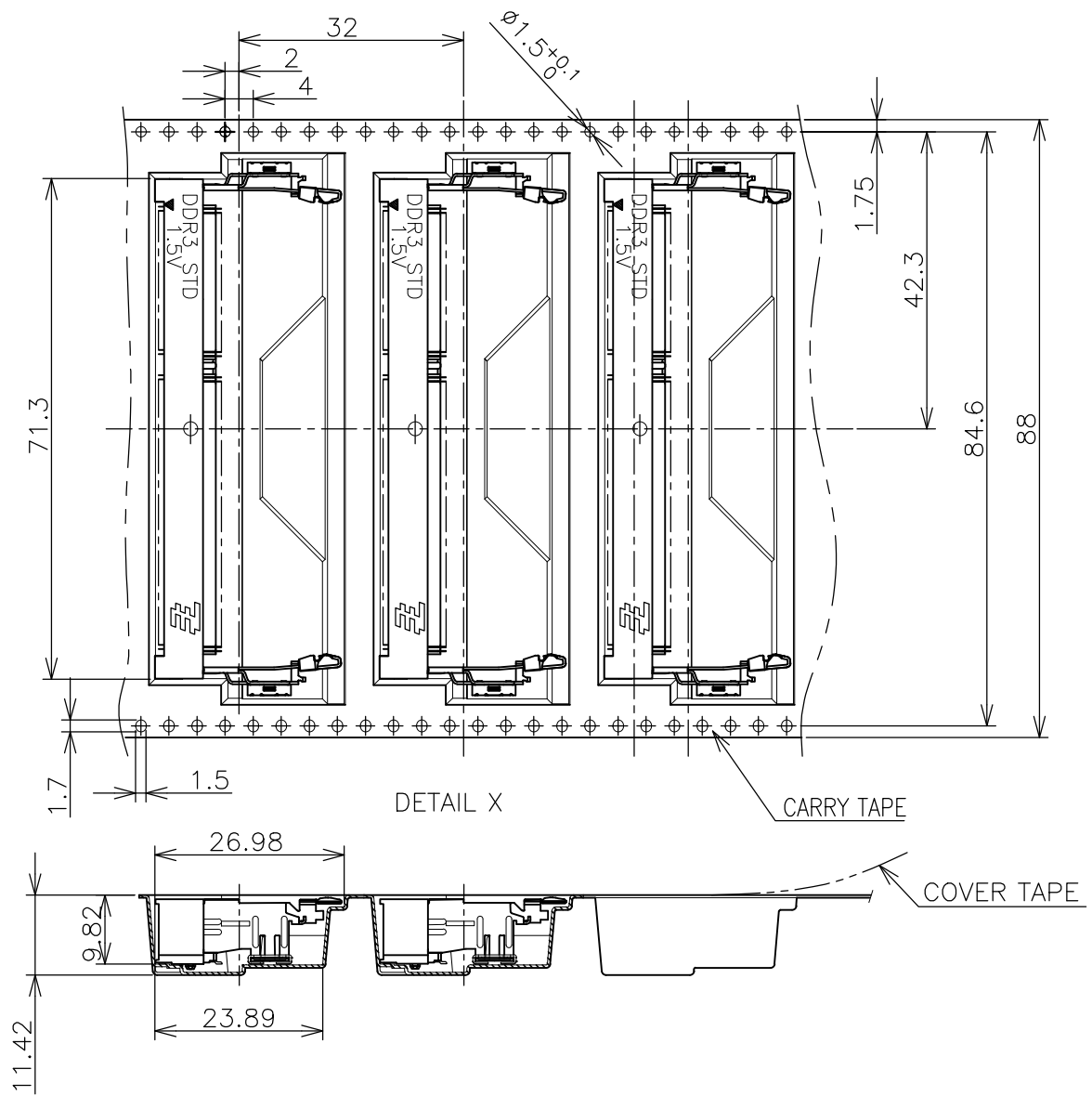
1

THIS DRAWING IS UNPUBLISHED. RELEASED FOR PUBLICATION .SEP 2007
 © COPYRIGHT 2007 By - ALL RIGHTS RESERVED.

LOC		DIST		REVISIONS			
P	LTR	DESCRIPTION		DATE	DWN	APVD	
	-	SEE SHEET 1		-	-	-	



(APPLIED TO SHEET 6)
 1. THE DIRECTION OF EACH CONNECTOR ON A EMBOSS IS REFERRED TO THIS DRAWING.
 2. GENERAL TOLERANCE: ±0.5, ±3°



150EA	*-2013310-*
QTY/REEL	PART NO.

THIS DRAWING IS A CONTROLLED DOCUMENT.		DWN		STE TE Connectivity	
DIMENSIONS: MM		CHK			
TOLERANCES UNLESS OTHERWISE SPECIFIED:		APVD		NAME	
0 PLC ± 0.5		PRODUCT SPEC		DDR3 SODIMM SOCKET	
1 PLC ± 0.5		APPLICATION SPEC		0.6mm PITCH 204POS	
2 PLC ± 0.5		WEIGHT		9.2mm HEIGHT STANDARD TYPE	
3 PLC ± 0.5		CUSTOMER DRAWING		SIZE	RESTRICTED TO
4 PLC ± 0.5		SCALE 1:2		A3	-
ANGLES ± 3°		SHEET 6 OF 6		00779	C-2013310
FINISH		REV D1			