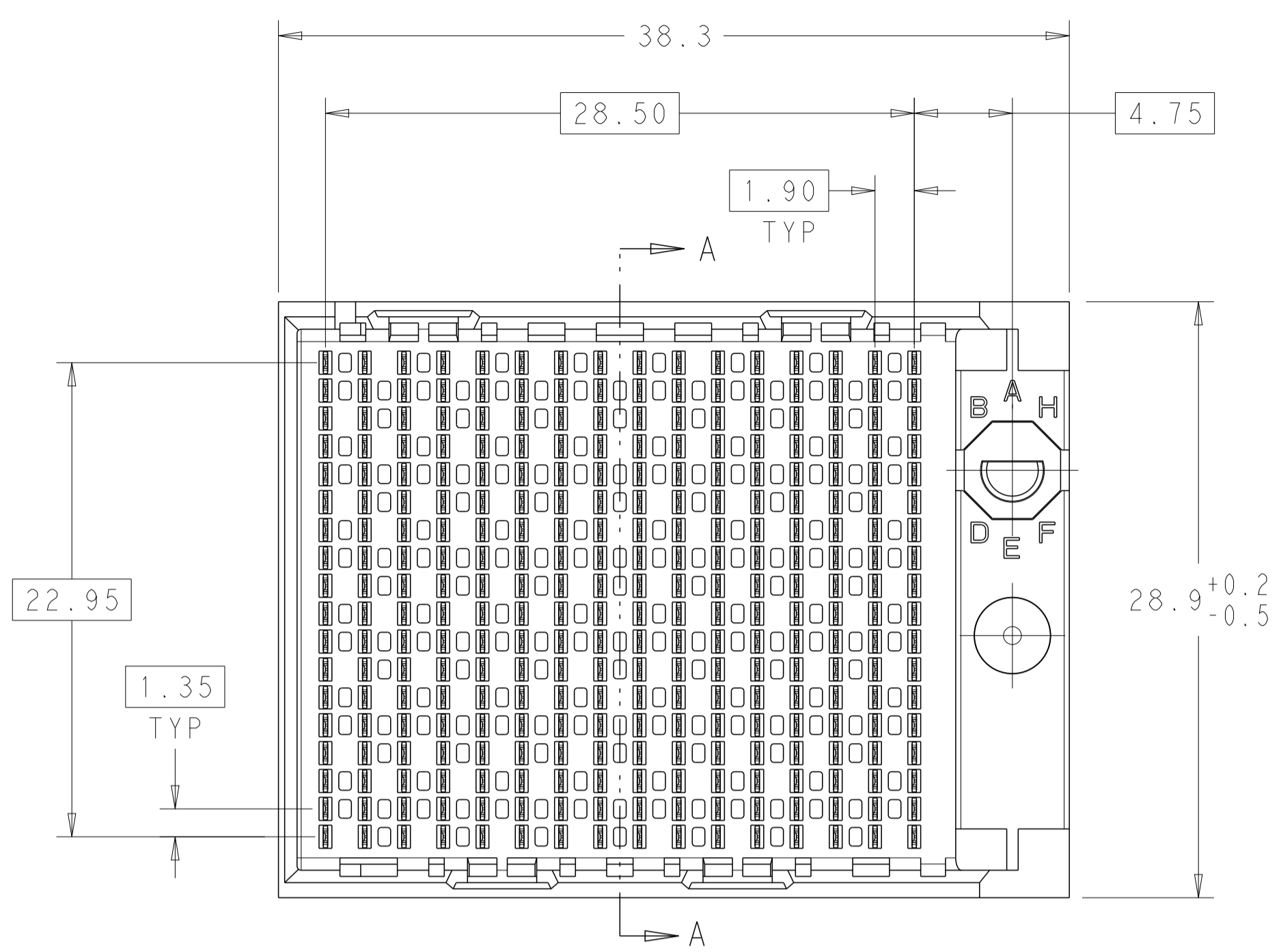
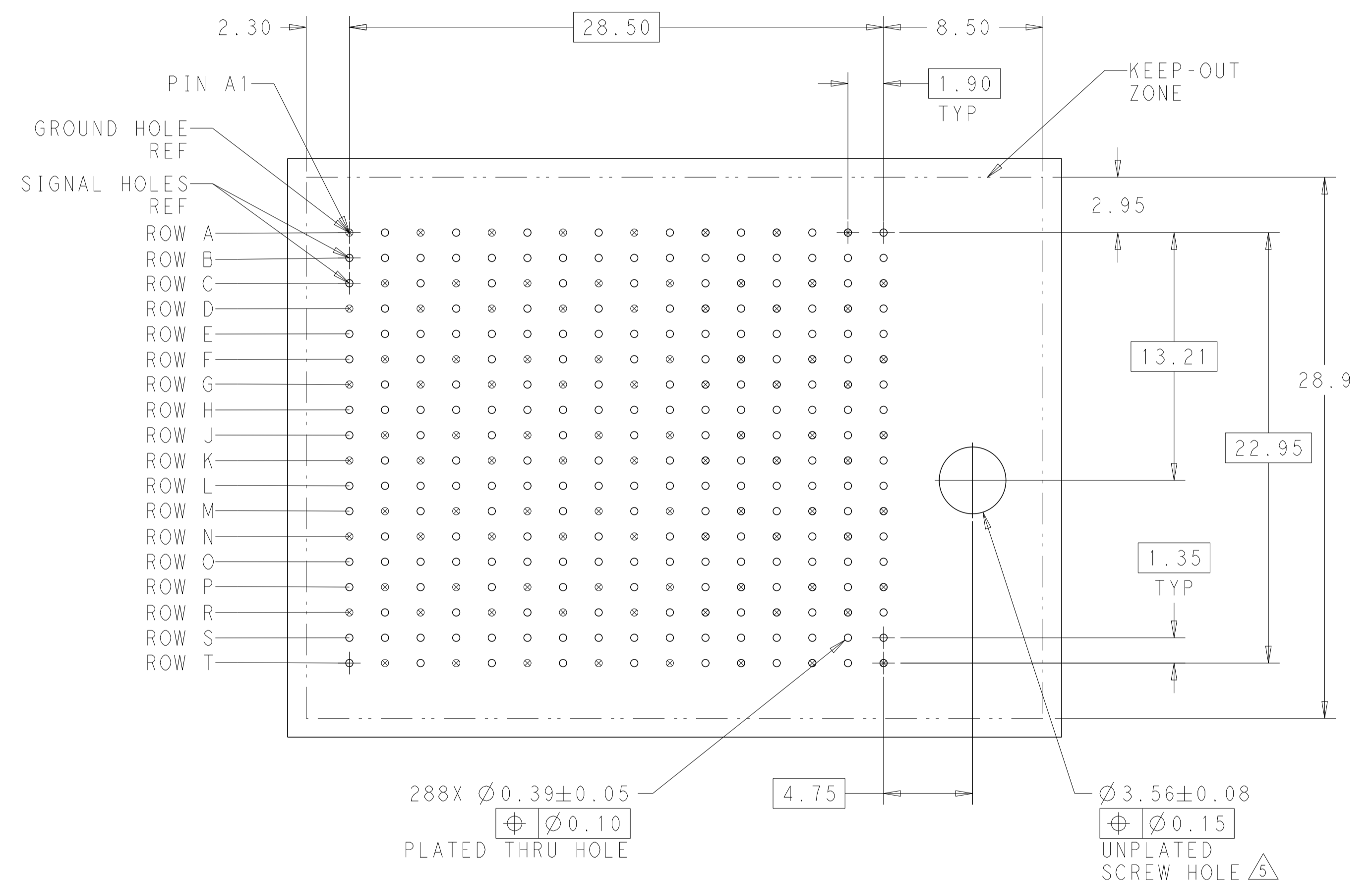
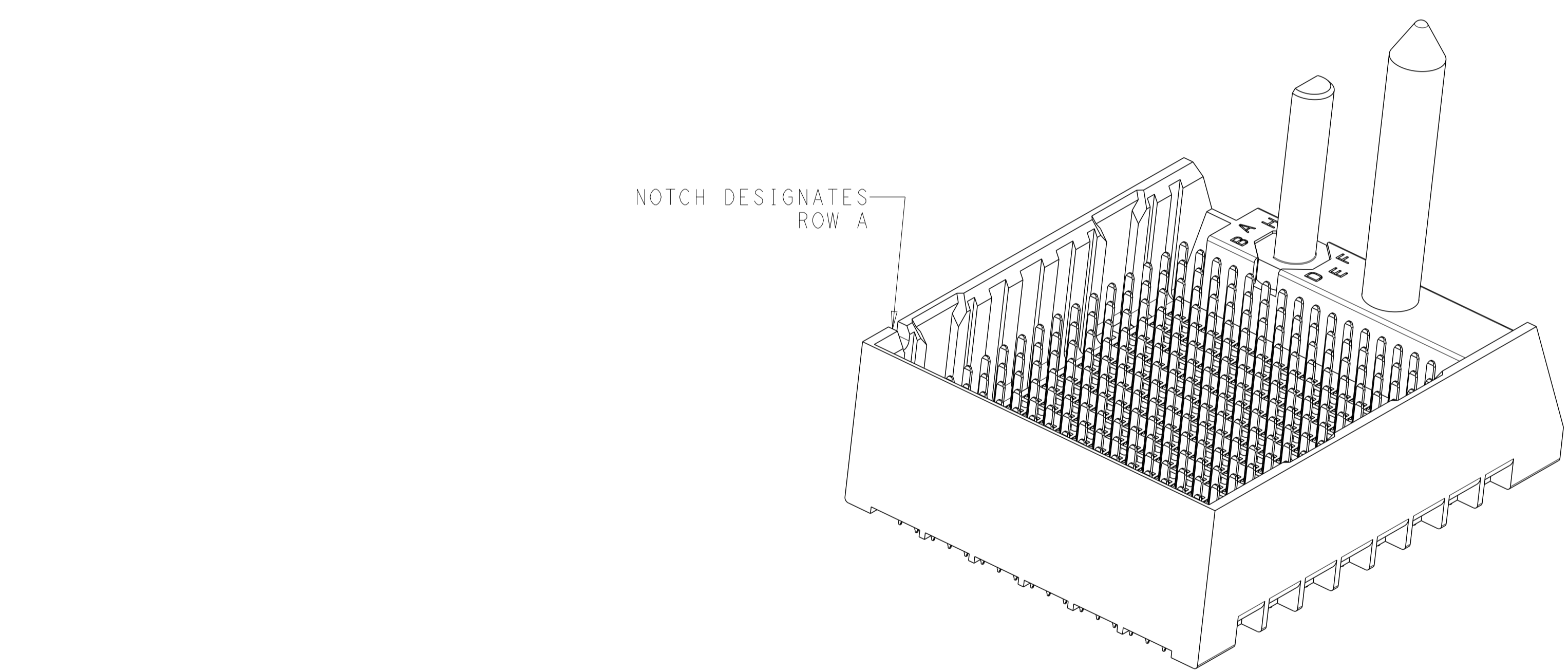


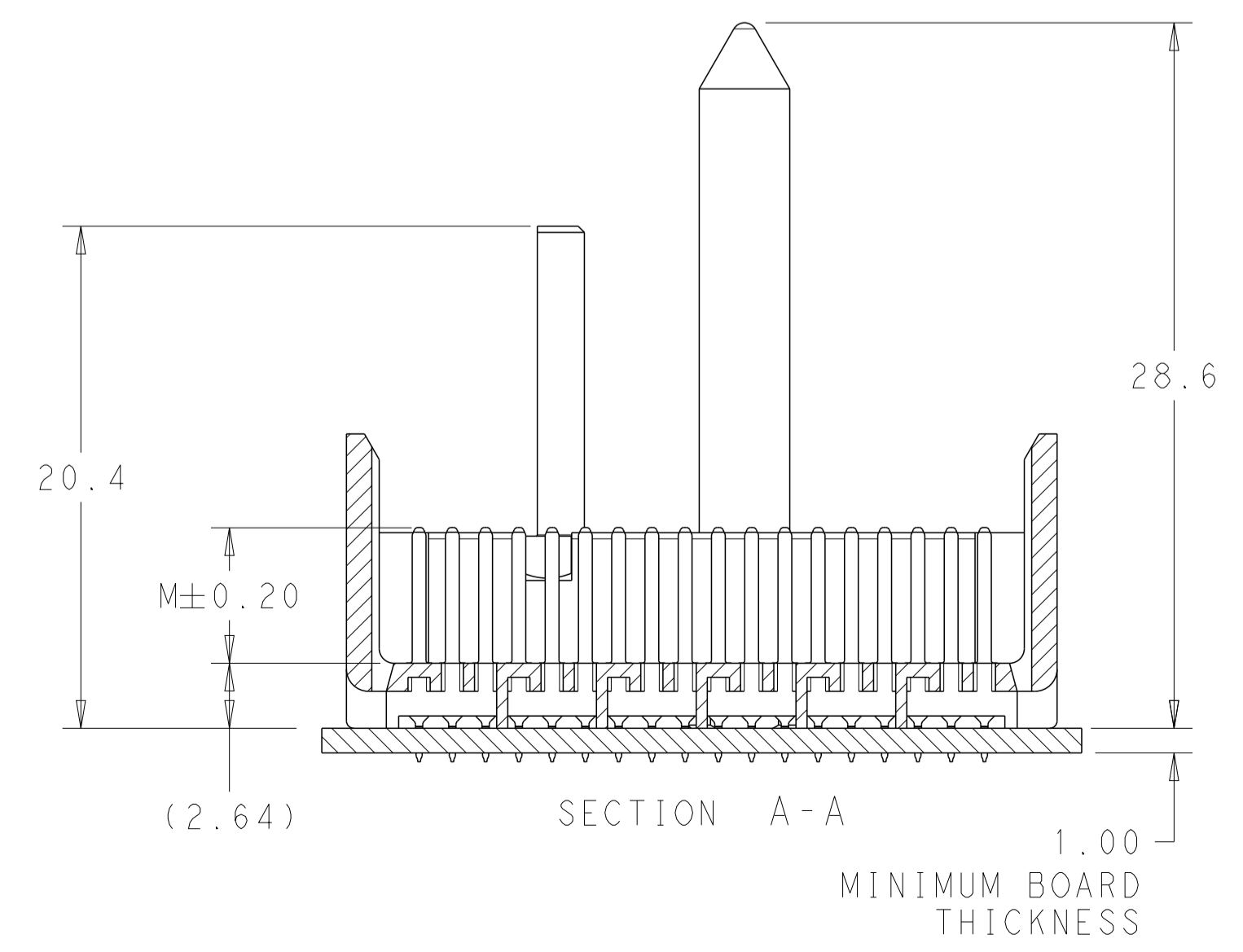
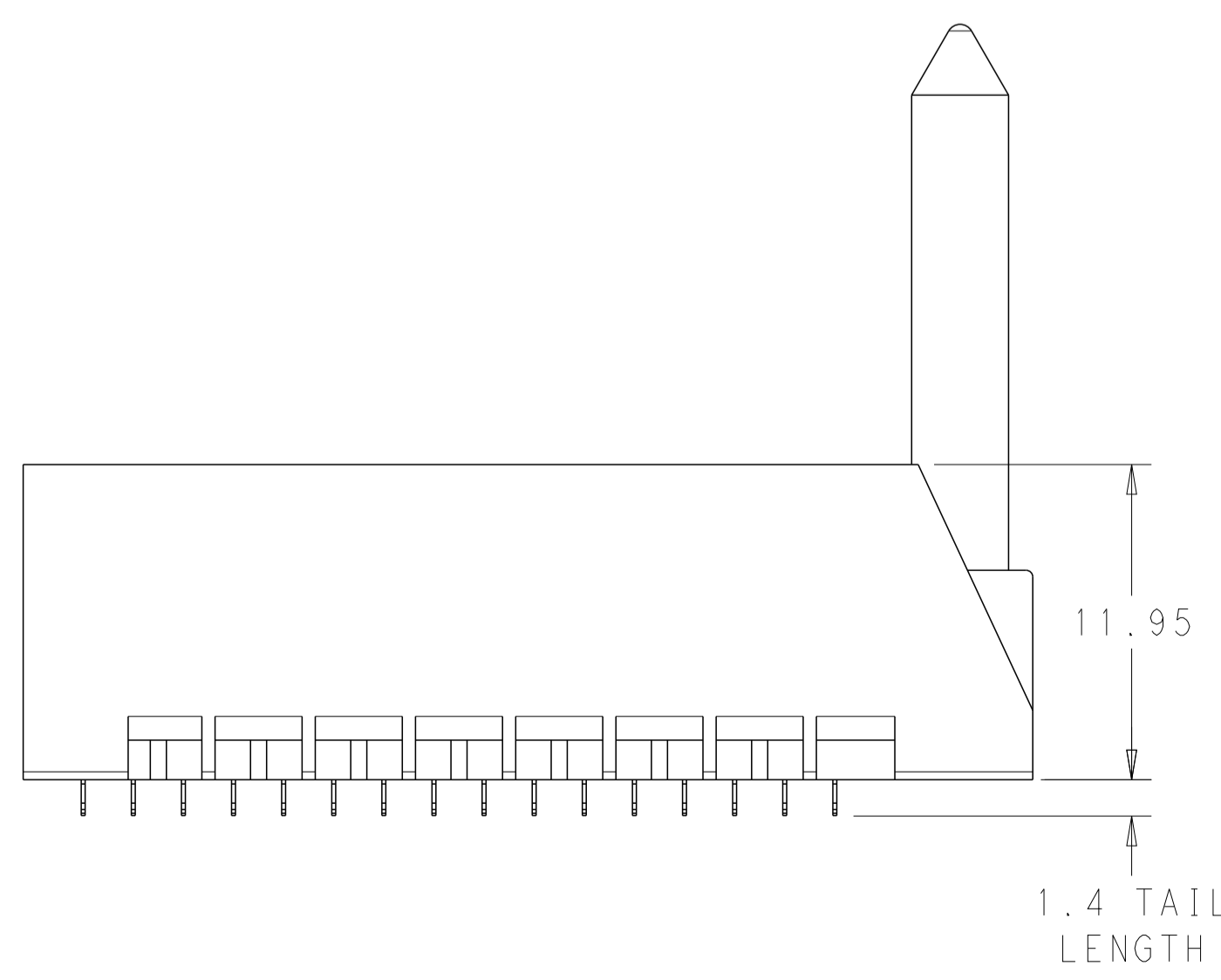
LOC	DIST	REVISIONS					
AD	00	P	LTN	DESCRIPTION	DATE	DWN	APVD
		B		REVISED PER ECO-11-025276	04JAN11	KH	DY
		B1		REVISED PER ECN-24-252171	08MAR2024	AP	RS



- 1. MATERIAL:
HOUSING: LCP, GLASS FILLED, UL94V-0.
TERMINALS: HIGH PERFORMANCE COPPER ALLOY.
- 2. FINISH:
30μ" MIN GOLD IN CONTACT AREA. SELECTIVE TIN ON PCB TAILS, NICKEL OVERALL.
- 3. FINISH:
30μ" MIN GOLD IN CONTACT AREA. SELECTIVE TIN-LEAD ON PCB TAILS, NICKEL OVERALL.
- 4. SCREWS PACKAGED IN END OF PACKAGING TUBE.
- 5. FOR GROUNDED GUIDE PIN USE $\varnothing 3.56 \pm 0.08$ PTH, $\varnothing 3.66$ DRILL, AND $\varnothing 6.5$ PAD.
- 6. KEYING PIN SHOWN IN POSITION A, SEE KEYING CHART ON SHEET 2 FOR OTHER POSITIONS.



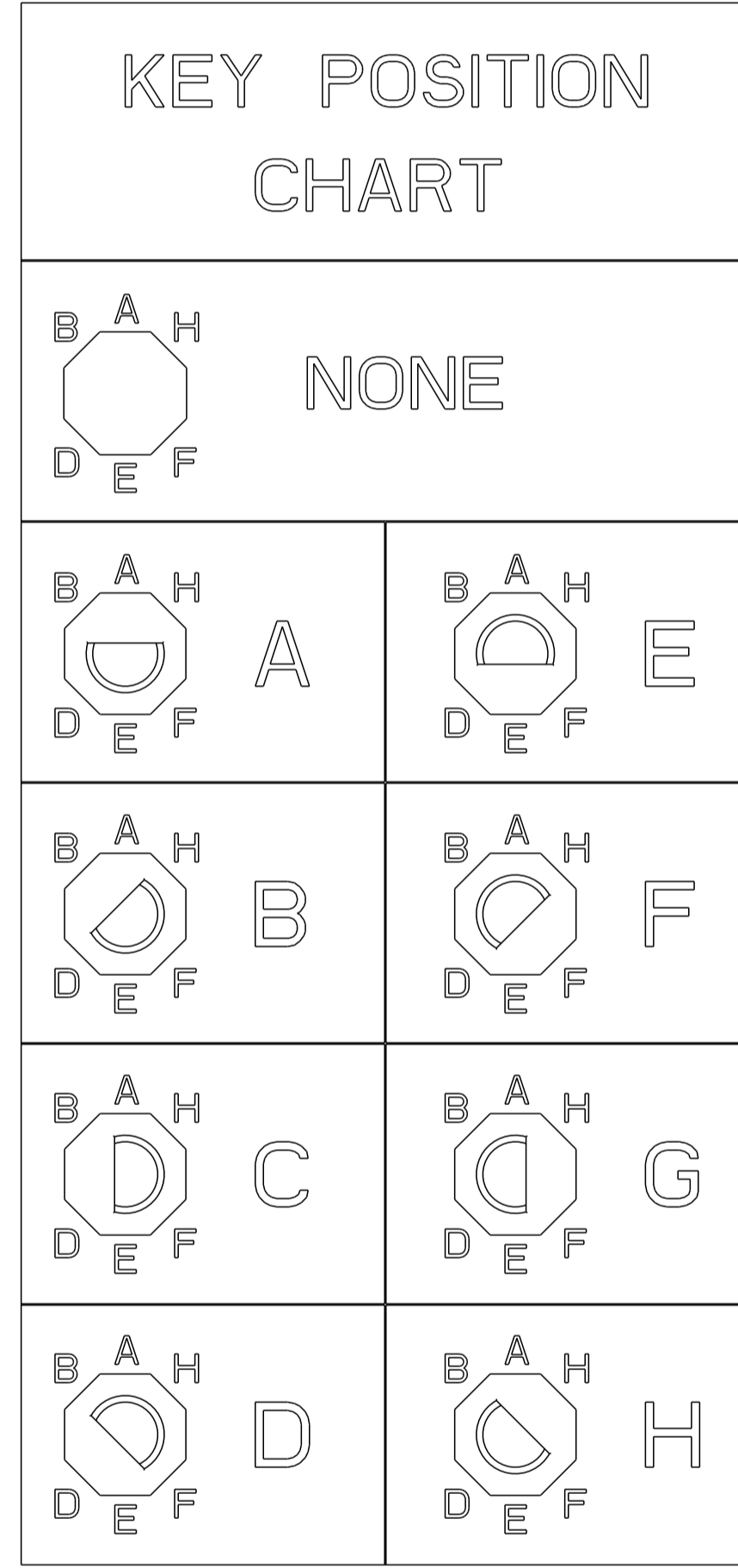
RIGHT GUIDED BACKPLANE HOLE PATTERN (CONNECTOR SIDE)



THIS DRAWING IS A CONTROLLED DOCUMENT.		DWN J. K. SHOBER 25JAN2011	TE Connectivity
DIMENSIONS: mm		CHK J. EARY 25JAN2011	
TOLERANCES UNLESS OTHERWISE SPECIFIED:		APVD J. EARY 25JAN2011	NAME IMPACT, 6 PAIR, 16 COLUMN, HEADER RIGHT GUIDED, LEFT END WALL SIGNAL MODULE, 0.39 PTH
0 PLC ±0.25		PRODUCT SPEC	
1 PLC ±0.13		APPLICATION SPEC	SIZE CAGE CODE DRAWING NO RESTRICTED TO
2 PLC ±0.10		FINISH SEE TABLE	A100779C=2007895
3 PLC ±0.08		MATERIAL	WEIGHT
4 PLC ±0.05		FINISH	CUSTOMER DRAWING
ANGLES		SCALE 4:1	SHEET 1 OF 2
FINISH		REV B1	

LOC	DIST	REVISIONS					
		P	LYR	DESCRIPTION	DATE	OWN	APVD
AD	00	-	-	SEE SHEET 1	-	-	-

3	H	5.5	8-2007895-6	OBSOLETE
3	H	4.9	8-2007895-5	
3	H	4.5	8-2007895-4	
2	H	5.5	8-2007895-3	
2	H	4.9	8-2007895-2	
2	H	4.5	8-2007895-1	
3	G	5.5	7-2007895-6	
3	G	4.9	7-2007895-5	
3	G	4.5	7-2007895-4	
2	G	5.5	7-2007895-3	
2	G	4.9	7-2007895-2	
2	G	4.5	7-2007895-1	
3	F	5.5	6-2007895-6	
3	F	4.9	6-2007895-5	
3	F	4.5	6-2007895-4	
2	F	5.5	6-2007895-3	
2	F	4.9	6-2007895-2	
2	F	4.5	6-2007895-1	
3	E	5.5	5-2007895-6	
3	E	4.9	5-2007895-5	
3	E	4.5	5-2007895-4	
2	E	5.5	5-2007895-3	
2	E	4.9	5-2007895-2	
2	E	4.5	5-2007895-1	
3	D	5.5	4-2007895-6	
3	D	4.9	4-2007895-5	
3	D	4.5	4-2007895-4	
2	D	5.5	4-2007895-3	
2	D	4.9	4-2007895-2	
2	D	4.5	4-2007895-1	
3	C	5.5	3-2007895-6	
3	C	4.9	3-2007895-5	
3	C	4.5	3-2007895-4	
2	C	5.5	3-2007895-3	
2	C	4.9	3-2007895-2	
2	C	4.5	3-2007895-1	
3	B	5.5	2-2007895-6	
3	B	4.9	2-2007895-5	
3	B	4.5	2-2007895-4	
2	B	5.5	2-2007895-3	
2	B	4.9	2-2007895-2	
2	B	4.5	2-2007895-1	
3	A	5.5	1-2007895-6	
3	A	4.9	1-2007895-5	
3	A	4.5	1-2007895-4	
2	A	5.5	1-2007895-3	
2	A	4.9	1-2007895-2	
2	A	4.5	1-2007895-1	
3	-	5.5	2007895-6	
3	-	4.9	2007895-5	
3	-	4.5	2007895-4	
2	-	5.5	2007895-3	
2	-	4.9	2007895-2	
2	-	4.5	2007895-1	
FINISH	KEY POSITION	DIM M	PART NUMBER	OBSOLETE



REFER TO WWW.TE.COM
FOR PRODUCT AVAILABILITY

THIS DRAWING IS A CONTROLLED DOCUMENT.		OWN: J. K. SHOBER 25JAN2011	TE Connectivity
DIMENSIONS: mm		CHK: J. EARY 25JAN2011	
TOLERANCES UNLESS OTHERWISE SPECIFIED:		APVD: J. EARY 25JAN2011	NAME: IMPACT, 6 PAIR, 16 COLUMN, HEADER RIGHT GUIDED, LEFT END WALL SIGNAL MODULE, 0.39 PTH
0 PLC ±0.25		PRODUCT SPEC	
1 PLC ±0.13		APPLICATION SPEC	SIZE: CAGE CODE: DRAWING NO: RESTRICTED TO:
2 PLC ±		WEIGHT	A100779C=2007895
3 PLC ±		CUSTOMER DRAWING	SCALE: 5:1 SHEET 2 OF 2 REV: B1
4 PLC ±			
ANGLES ±			
FINISH: SEE TABLE			