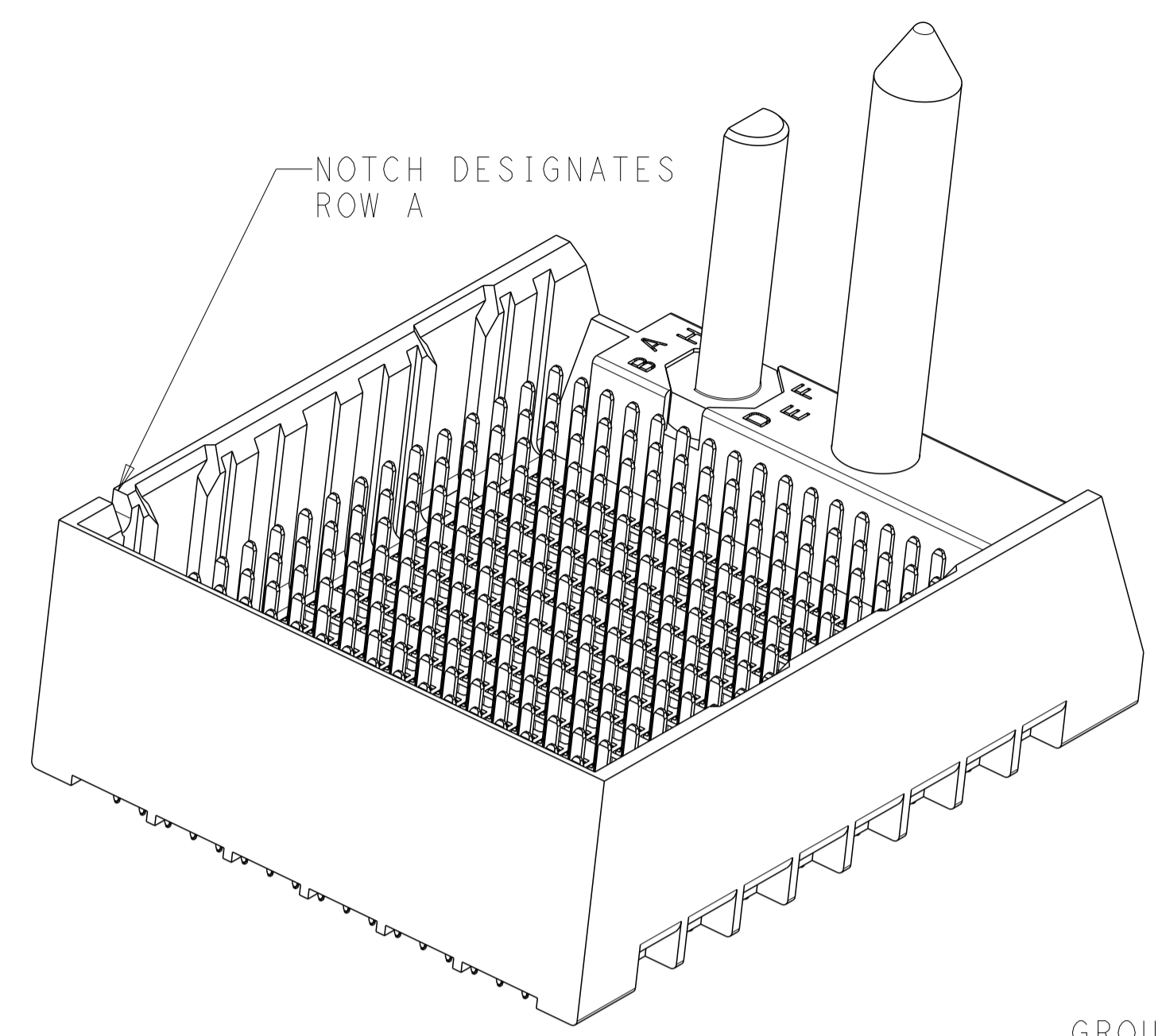
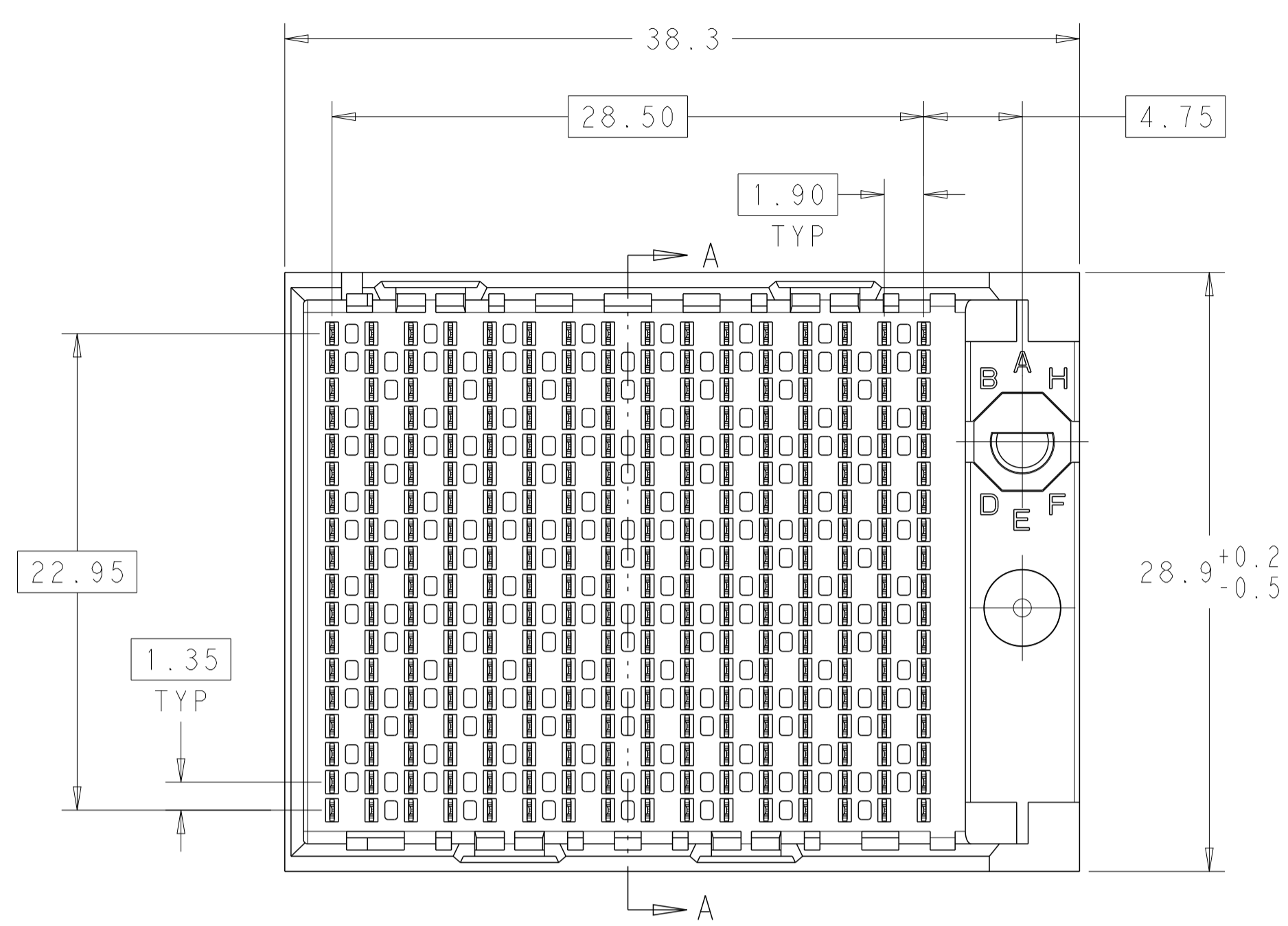
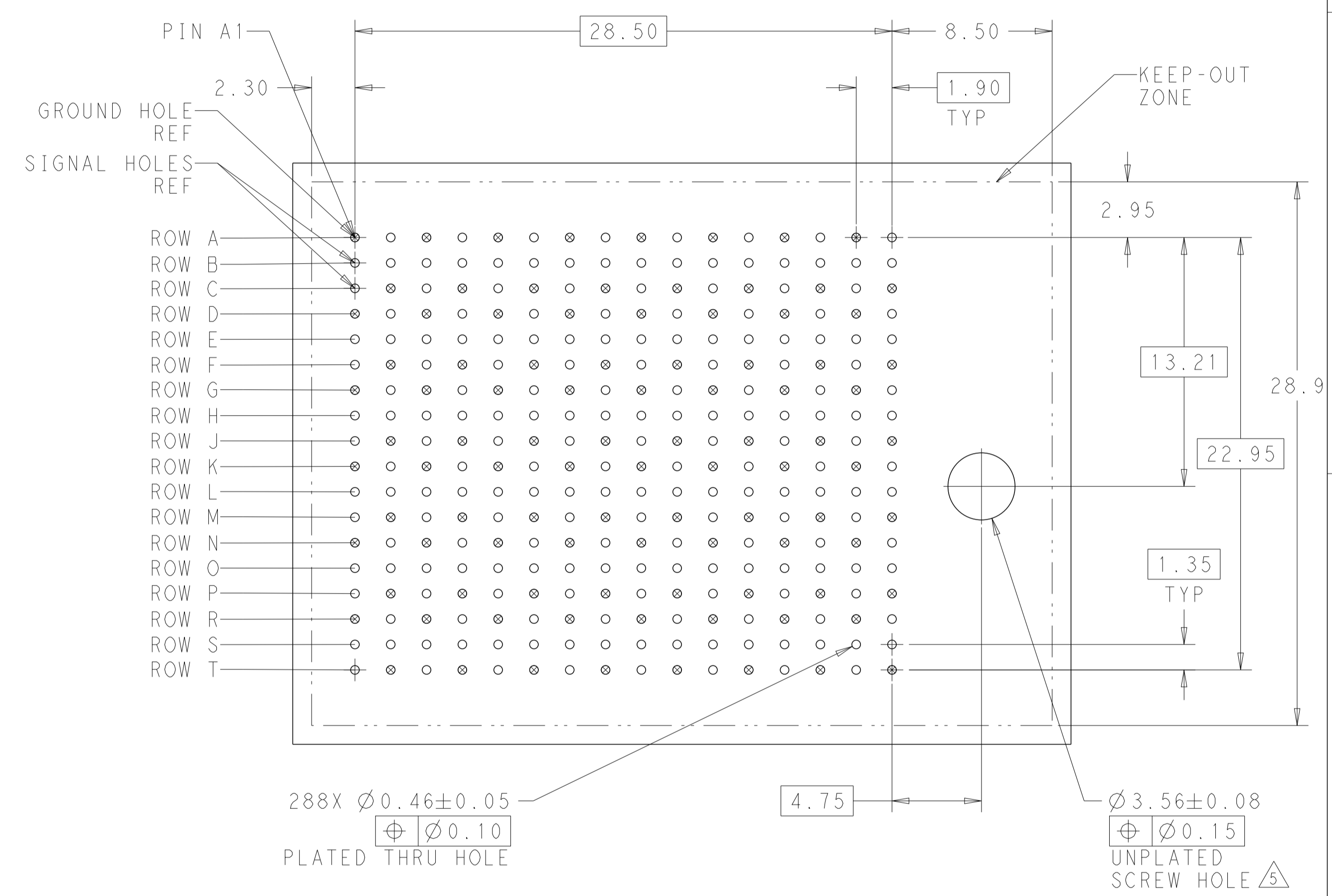


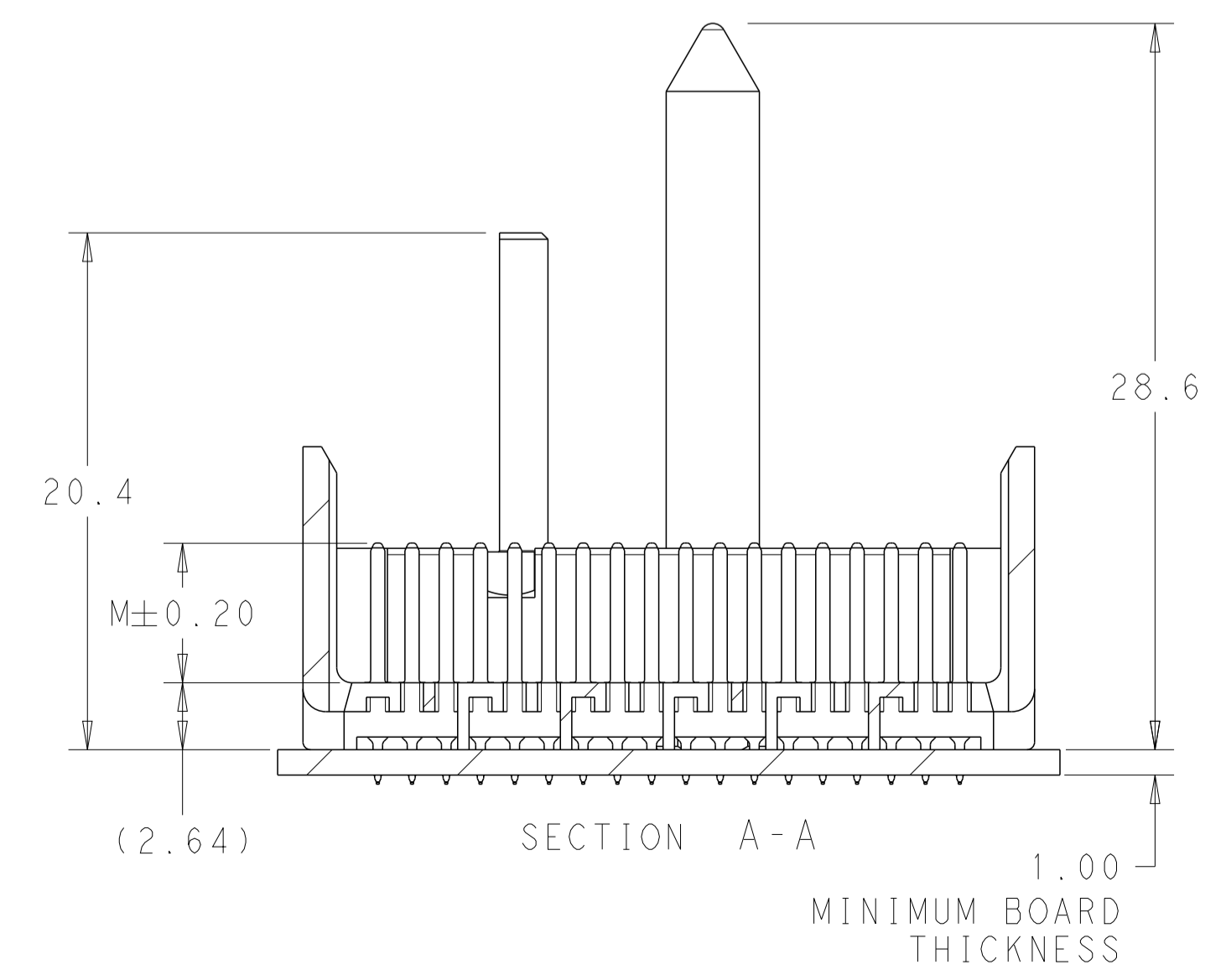
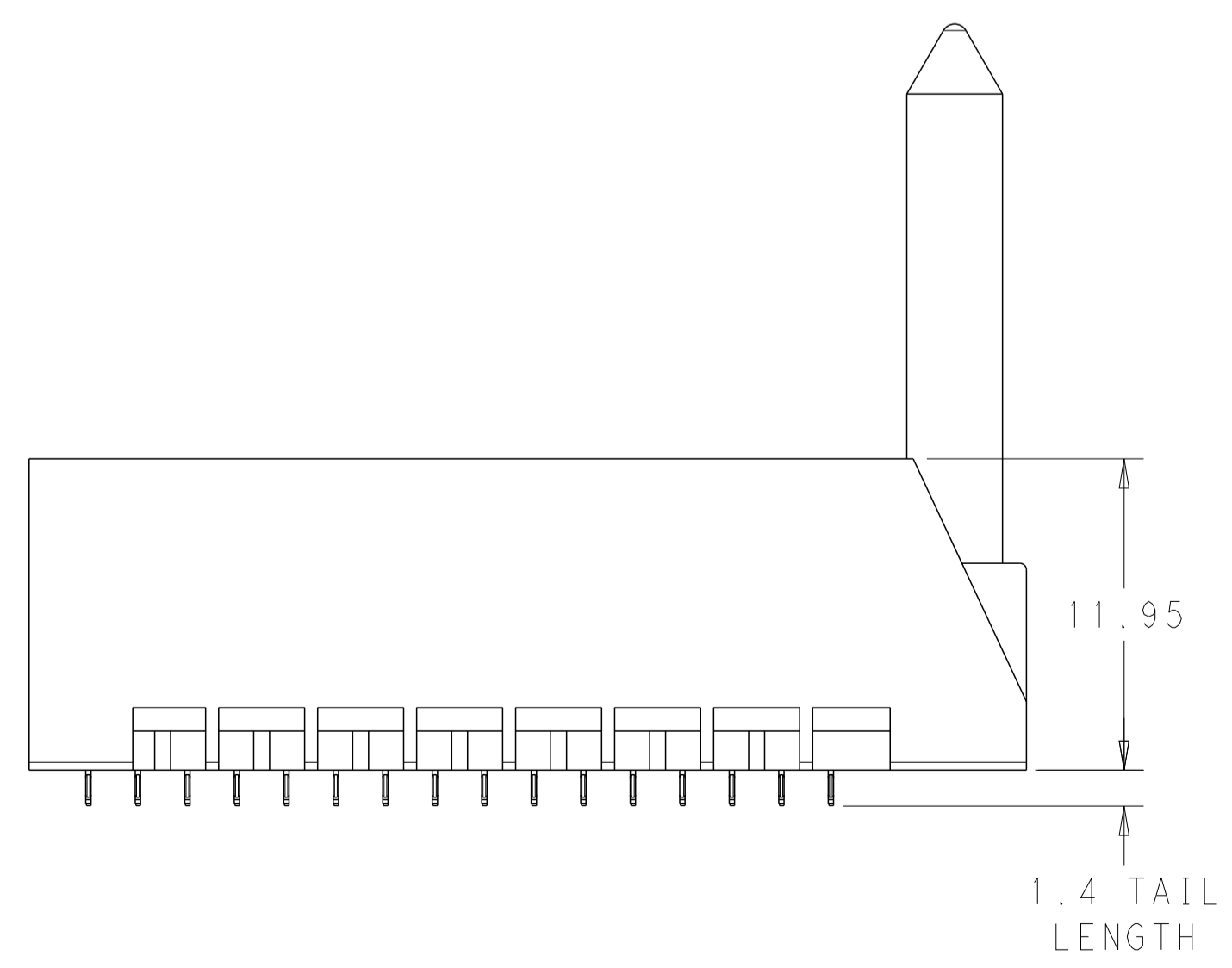
LOC		DIST		REVISIONS			
P	LTN	DESCRIPTION	DATE	DMN	APVD		
A		CREATED BY AUTOMATION PROGRAM	03MAY2011	RKC	JE		
A1		REVISED PER ECN-24-252171	20FEB2024	AP	RS		



- 1 MATERIAL:  
HOUSING: LCP, GLASS FILLED, UL94V-0.  
TERMINALS: HIGH PERFORMANCE COPPER ALLOY.
- 2 FINISH:  
30µ" MIN GOLD IN CONTACT AREA. SELECTIVE TIN  
ON PCB TAILS, NICKEL OVERALL.
- 3 FINISH:  
30µ" MIN GOLD IN CONTACT AREA. SELECTIVE TIN-LEAD  
ON PCB TAILS, NICKEL OVERALL.
- 4. SCREWS PACKAGED IN END OF PACKAGING TUBE.
- 5 FOR GROUNDED GUIDE PIN USE Ø3.56±0.08 PTH,  
Ø3.66 DRILL, AND Ø6.5 PAD.
- 6. KEYING PIN SHOWN IN POSITION A, SEE KEYING CHART  
ON SHEET 2 FOR OTHER POSITIONS.



RIGHT GUIDED  
 BACKPLANE HOLE PATTERN  
 (CONNECTOR SIDE)

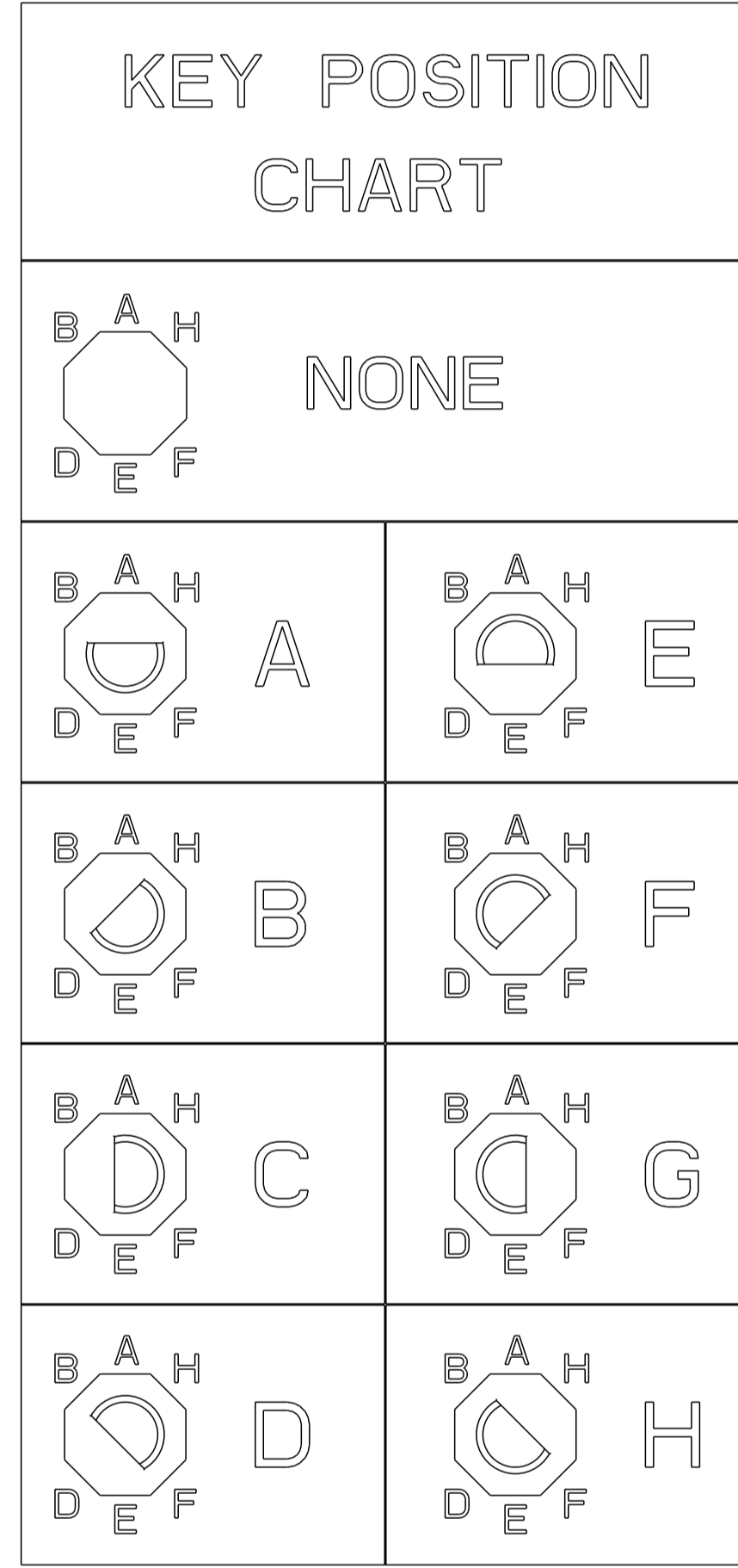


THIS DRAWING IS A CONTROLLED DOCUMENT.		DMN B. COELLO	02MAY2011	TE Connectivity
DIMENSIONS:		CHK J. EARY	02MAY2011	
mm	TOLERANCES UNLESS OTHERWISE SPECIFIED:	APVD J. EARY	02MAY2011	NAME IMPACT, 6 PAIR, 16 COLUMN, HEADER RIGHT GUIDED, LEFT END WALL SIGNAL MODULE, 0.46 PTH
0 PLC ± 1 PLC ±0.25 2 PLC ±0.13 3 PLC ± 4 PLC ± ANGLES ± FINISH SEE TABLE		PRODUCT SPEC	APPLICATION SPEC	
MATERIAL		WEIGHT		SIZE CAGE CODE DRAWING NO. RESTRICTED TO
				A100779C=2007894
CUSTOMER DRAWING			SCALE 4:1	SHEET 1 OF 2 REV A1

LOC		DIST		REVISIONS			
P	LYR	DESCRIPTION	DATE	DNW	APVD		
-	-	SEE SHEET 1	-	-	-		

3	H	5.5	8-2007894-6
3	H	4.9	8-2007894-5
3	H	4.5	8-2007894-4
2	H	5.5	8-2007894-3
2	H	4.9	8-2007894-2
2	H	4.5	8-2007894-1
3	G	5.5	7-2007894-6
3	G	4.9	7-2007894-5
3	G	4.5	7-2007894-4
2	G	5.5	7-2007894-3
2	G	4.9	7-2007894-2
2	G	4.5	7-2007894-1
3	F	5.5	6-2007894-6
3	F	4.9	6-2007894-5
3	F	4.5	6-2007894-4
2	F	5.5	6-2007894-3
2	F	4.9	6-2007894-2
2	F	4.5	6-2007894-1
3	E	5.5	5-2007894-6
3	E	4.9	5-2007894-5
3	E	4.5	5-2007894-4
2	E	5.5	5-2007894-3
2	E	4.9	5-2007894-2
2	E	4.5	5-2007894-1
3	D	5.5	4-2007894-6
3	D	4.9	4-2007894-5
3	D	4.5	4-2007894-4
2	D	5.5	4-2007894-3
2	D	4.9	4-2007894-2
2	D	4.5	4-2007894-1
3	C	5.5	3-2007894-6
3	C	4.9	3-2007894-5
3	C	4.5	3-2007894-4
2	C	5.5	3-2007894-3
2	C	4.9	3-2007894-2
2	C	4.5	3-2007894-1
3	B	5.5	2-2007894-6
3	B	4.9	2-2007894-5
3	B	4.5	2-2007894-4
2	B	5.5	2-2007894-3
2	B	4.9	2-2007894-2
2	B	4.5	2-2007894-1
3	A	5.5	1-2007894-6
3	A	4.9	1-2007894-5
3	A	4.5	1-2007894-4
2	A	5.5	1-2007894-3
2	A	4.9	1-2007894-2
2	A	4.5	1-2007894-1
3	-	5.5	2007894-6
3	-	4.9	2007894-5
3	-	4.5	2007894-4
2	-	5.5	2007894-3
2	-	4.9	2007894-2
2	-	4.5	2007894-1
FINISH	KEY POSITION	DIM M	PART NUMBER

OBSOLETE



REFER TO WWW.TE.COM  
FOR PRODUCT AVAILABILITY

THIS DRAWING IS A CONTROLLED DOCUMENT.		DNW R. COELLO 02MAY2011	<b>TE</b> Connectivity
DIMENSIONS:		CHK J. EARY 02MAY2011	
mm	TOLERANCES UNLESS OTHERWISE SPECIFIED:	APVD J. EARY 02MAY2011	NAME IMPACT, 6 PAIR, 16 COLUMN, HEADER RIGHT GUIDED, LEFT END WALL SIGNAL MODULE, 0.46 PTH
	0 PLC ± 1 PLC ±0.25 2 PLC ±0.13 3 PLC ± 4 PLC ± ANGLES ±	PRODUCT SPEC	
MATERIAL	FINISH SEE TABLE	APPLICATION SPEC	RESTRICTED TO
		WEIGHT	SIZE CAGE CODE DRAWING NO A100779C=2007894
		CUSTOMER DRAWING	SCALE 5:1 SHEET 2 OF 2 REV A1