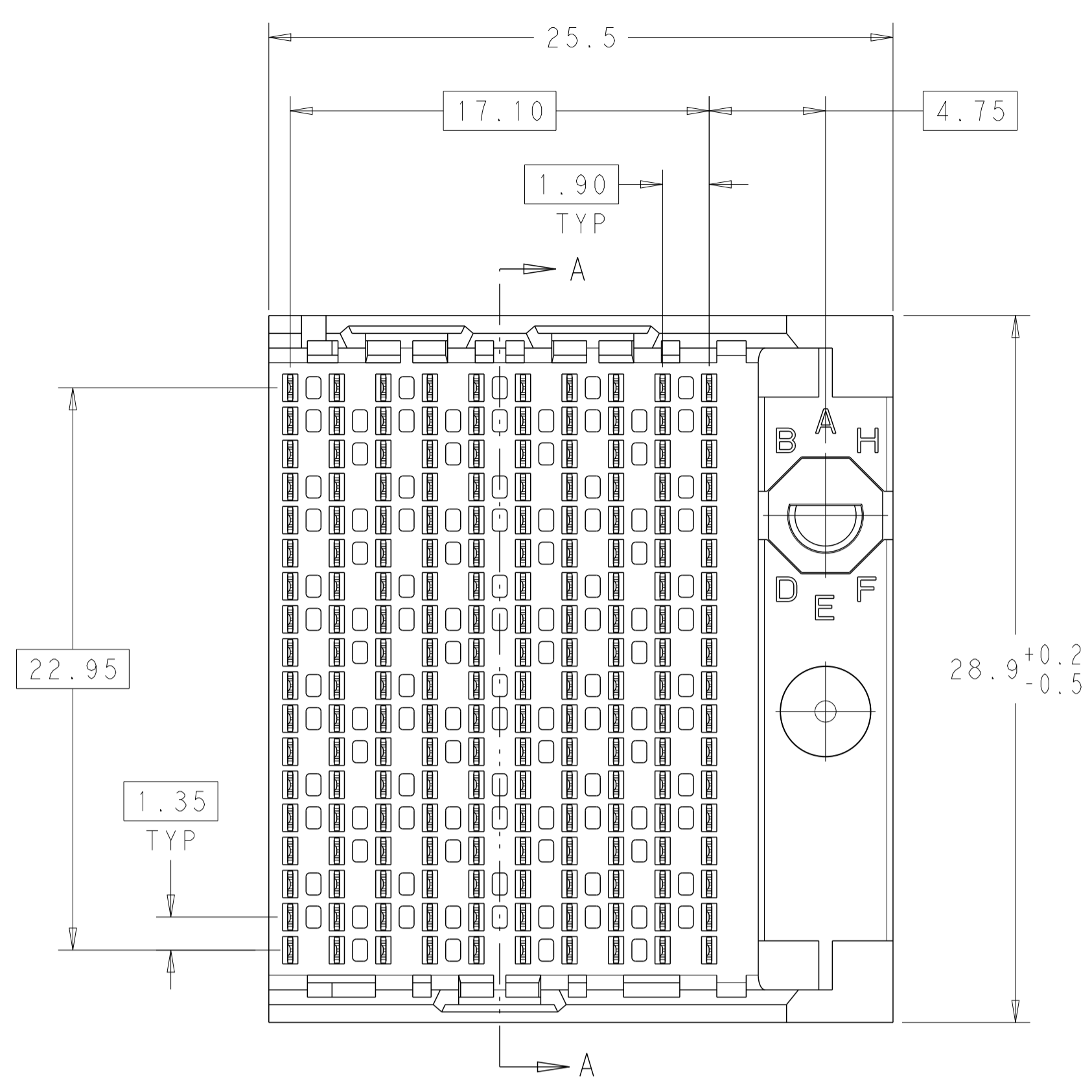
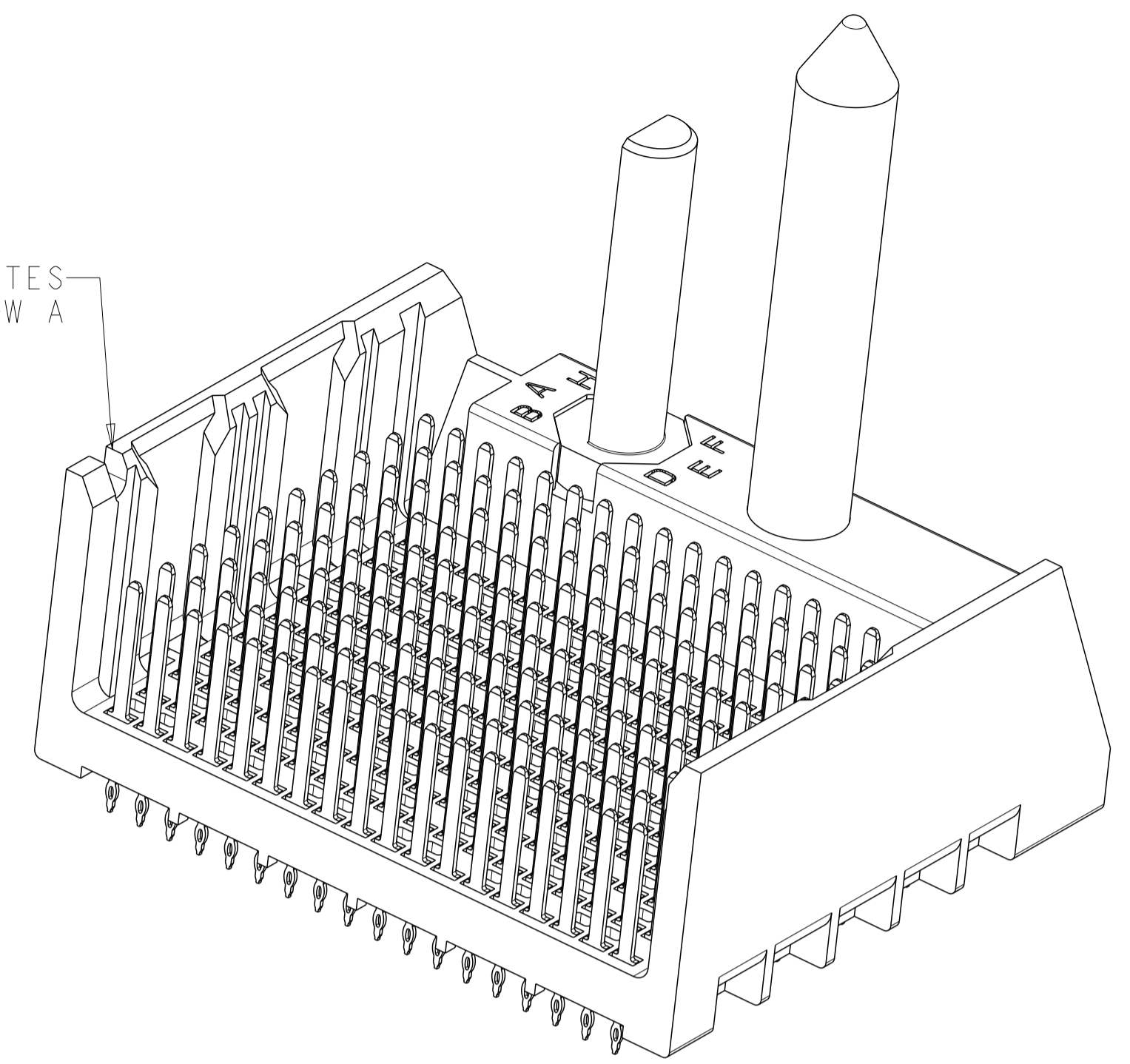


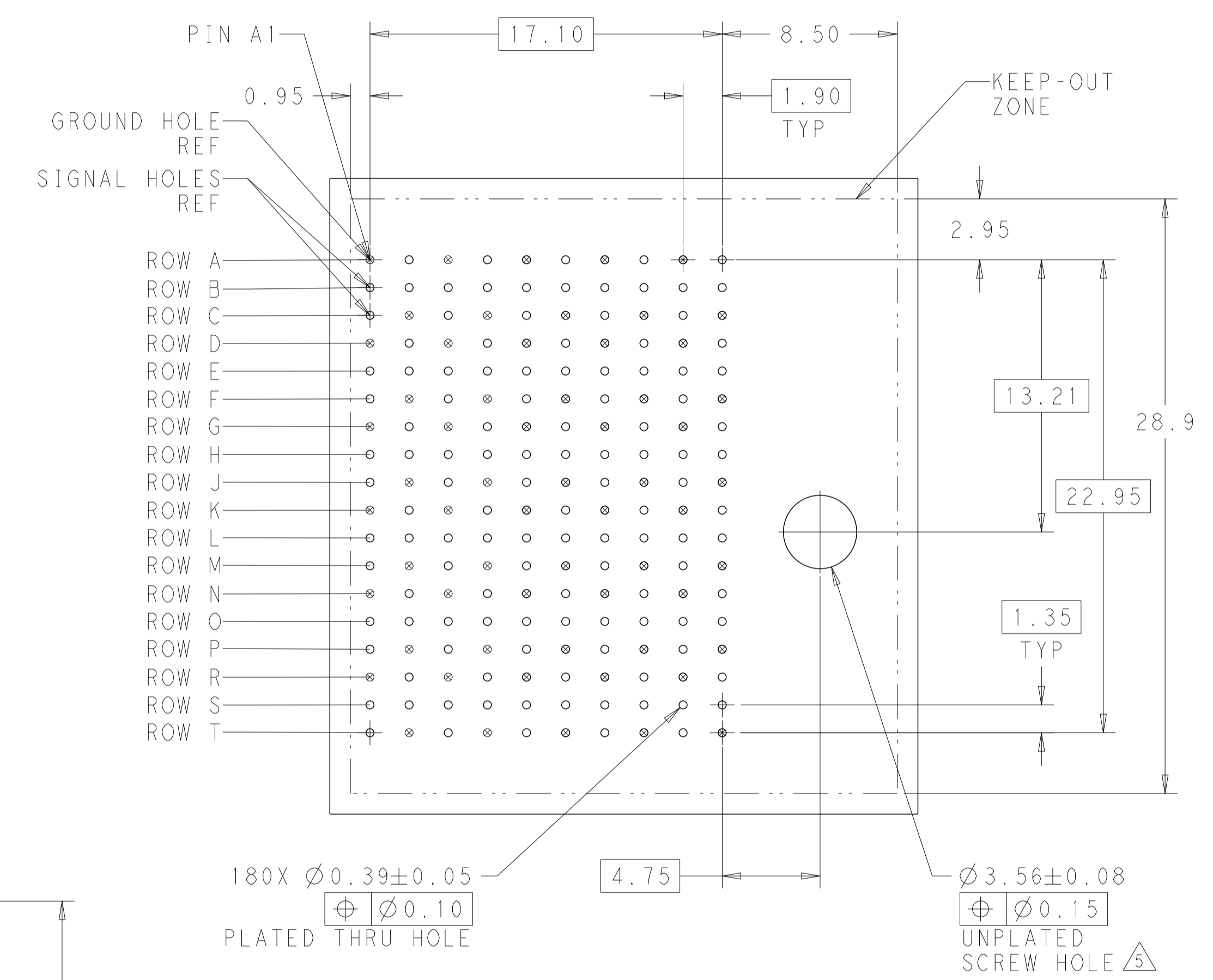
LOC	DIST	REVISIONS					
AD	00	P	LTN	DESCRIPTION	DATE	DWN	APVD
		B		REVISED PER ECO-11-025276	04JAN2012	KH	DY
		B1		REVISED PER ECN-24-252171	05MAR2024	AP	RS



NOTCH DESIGNATES ROW A



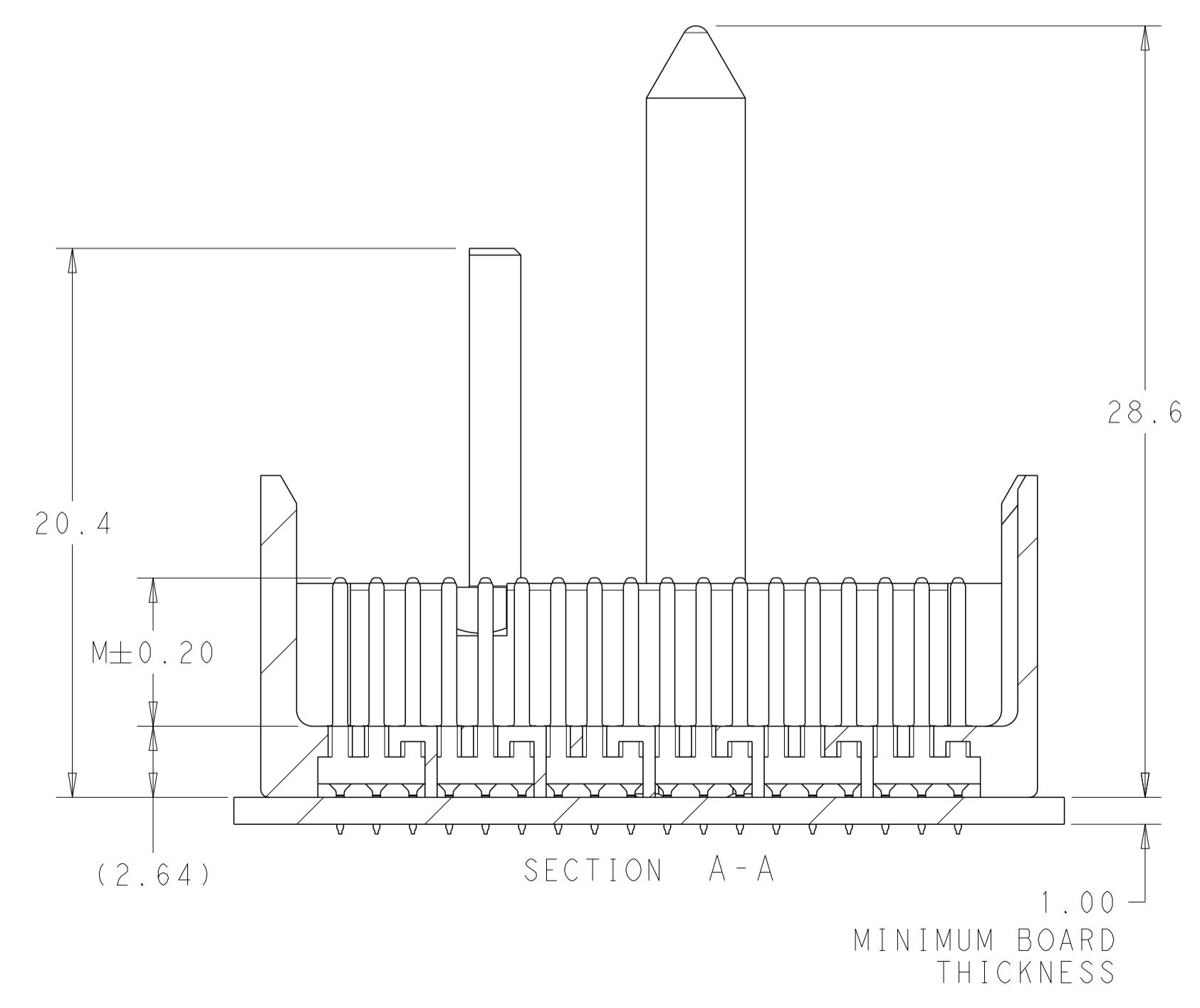
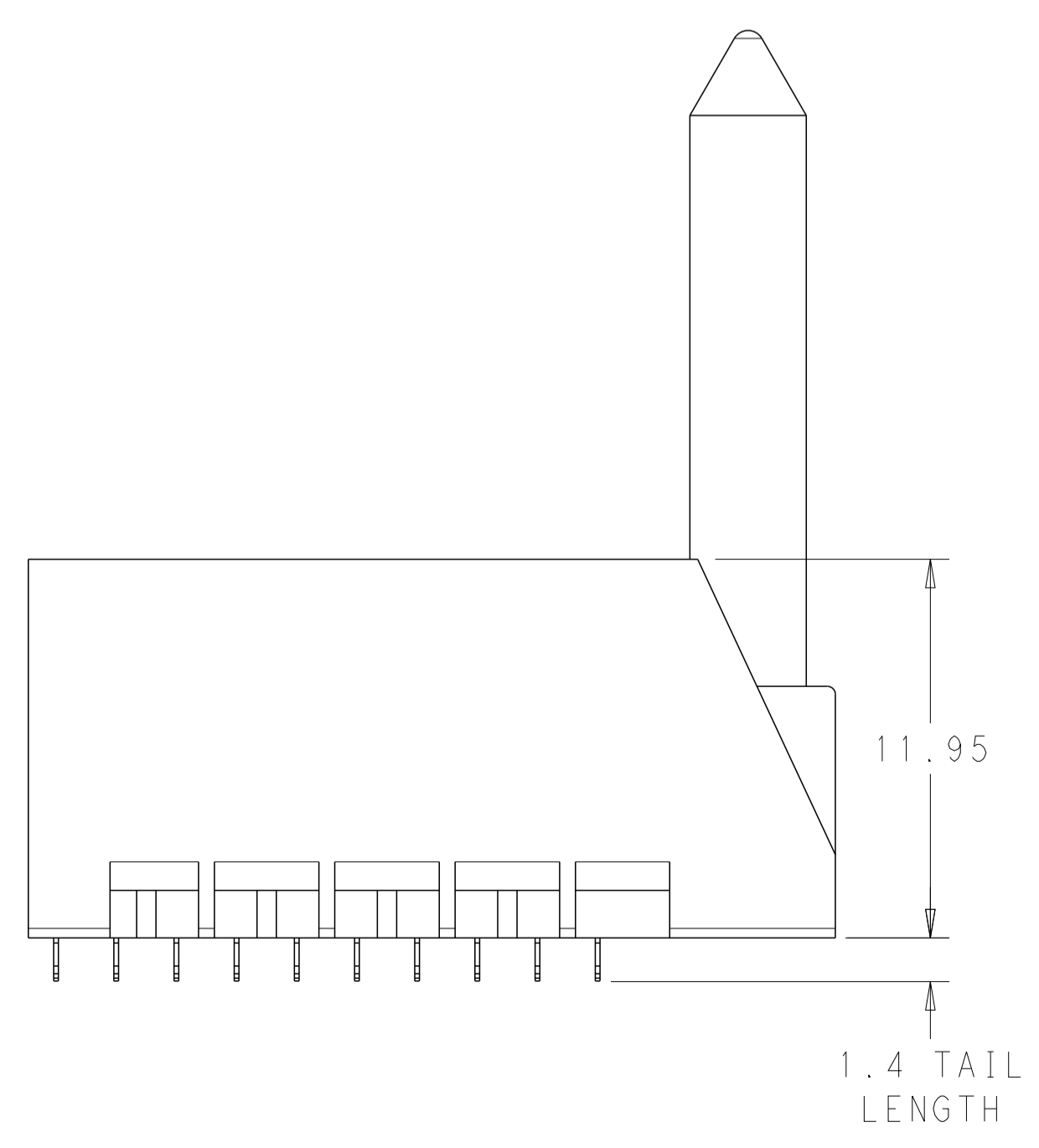
- 1. MATERIAL:
HOUSING: LCP, GLASS FILLED, UL94V-0.
TERMINALS: HIGH PERFORMANCE COPPER ALLOY.
- 2. FINISH:
30μ" MIN GOLD IN CONTACT AREA. SELECTIVE TIN ON PCB TAILS, NICKEL OVERALL.
- 3. FINISH:
30μ" MIN GOLD IN CONTACT AREA. SELECTIVE TIN-LEAD ON PCB TAILS, NICKEL OVERALL.
- 4. SCREWS PACKAGED IN END OF PACKAGING TUBE.
- 5. FOR GROUNDED GUIDE PIN USE Ø3.56±0.08 PTH, Ø3.66 DRILL, AND Ø6.5 PAD.
- 6. KEYING PIN SHOWN IN POSITION A, SEE KEYING CHART ON SHEET 2 FOR OTHER POSITIONS.



180X Ø0.39±0.05
 ⊕ Ø0.10
 PLATED THRU HOLE

Ø3.56±0.08
 ⊕ Ø0.15
 UNPLATED SCREW HOLE

RIGHT GUIDED BACKPLANE HOLE PATTERN (CONNECTOR SIDE)



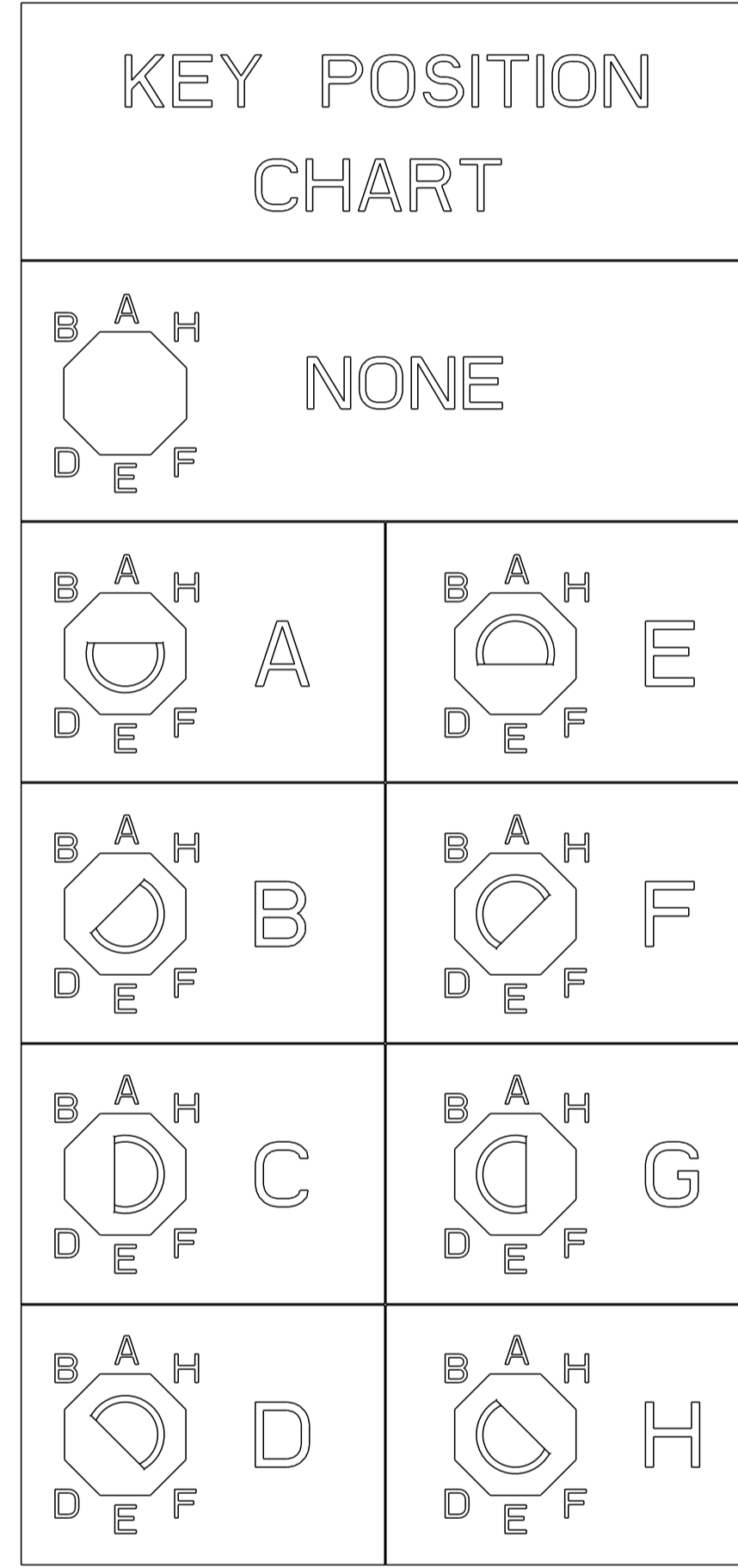
THIS DRAWING IS A CONTROLLED DOCUMENT.		DWN Z. MILLER 03DEC2010	TE Connectivity
DIMENSIONS:		CHK J. EARY 03DEC2010	
mm	TOLERANCES UNLESS OTHERWISE SPECIFIED:	APVD J. EARY 03DEC2010	NAME IMPACT, 6 PAIR, 10 COLUMN, HEADER RIGHT GUIDED, OPEN END WALL SIGNAL MODULE, 0.39 PTH
0 PLC ± 1 PLC ±0.25 2 PLC ±0.13 3 PLC ± 4 PLC ± ANGLES ±	FINISH SEE TABLE	PRODUCT SPEC APPLICATION SPEC	
MATERIAL	FINISH	WEIGHT	SIZE CAGE CODE DRAWING NO A100779C=2007877
CUSTOMER DRAWING		SCALE 5:1	SHEET 1 OF 2 REV B1

LOC	DIST	P	LYR	DESCRIPTION	DATE	DNW	APVD
AD	00	-	-	SEE SHEET 1	-	-	-

3	H	5.5	8-2007877-6
3	H	4.9	8-2007877-5
3	H	4.5	8-2007877-4
2	H	5.5	8-2007877-3
2	H	4.9	8-2007877-2
2	H	4.5	8-2007877-1
3	G	5.5	7-2007877-6
3	G	4.9	7-2007877-5
3	G	4.5	7-2007877-4
2	G	5.5	7-2007877-3
2	G	4.9	7-2007877-2
2	G	4.5	7-2007877-1
3	F	5.5	6-2007877-6
3	F	4.9	6-2007877-5
3	F	4.5	6-2007877-4
2	F	5.5	6-2007877-3
2	F	4.9	6-2007877-2
2	F	4.5	6-2007877-1
3	E	5.5	5-2007877-6
3	E	4.9	5-2007877-5
3	E	4.5	5-2007877-4
2	E	5.5	5-2007877-3
2	E	4.9	5-2007877-2
2	E	4.5	5-2007877-1
3	D	5.5	4-2007877-6
3	D	4.9	4-2007877-5
3	D	4.5	4-2007877-4
2	D	5.5	4-2007877-3
2	D	4.9	4-2007877-2
2	D	4.5	4-2007877-1
3	C	5.5	3-2007877-6
3	C	4.9	3-2007877-5
3	C	4.5	3-2007877-4
2	C	5.5	3-2007877-3
2	C	4.9	3-2007877-2
2	C	4.5	3-2007877-1
3	B	5.5	2-2007877-6
3	B	4.9	2-2007877-5
3	B	4.5	2-2007877-4
2	B	5.5	2-2007877-3
2	B	4.9	2-2007877-2
2	B	4.5	2-2007877-1
3	A	5.5	1-2007877-6
3	A	4.9	1-2007877-5
3	A	4.5	1-2007877-4
2	A	5.5	1-2007877-3
2	A	4.9	1-2007877-2
2	A	4.5	1-2007877-1
3	-	5.5	2007877-6
3	-	4.9	2007877-5
3	-	4.5	2007877-4
2	-	5.5	2007877-3
2	-	4.9	2007877-2
2	-	4.5	2007877-1
FINISH	KEY POSITION	DIM M	PART NUMBER

OBSOLETE

OBSOLETE



REFER TO WWW.TE.COM
FOR PRODUCT AVAILABILITY

THIS DRAWING IS A CONTROLLED DOCUMENT.		DNW Z. MILLER 03DEC2010	TE Connectivity
DIMENSIONS: mm		CHK J. EARY 03DEC2010	
TOLERANCES UNLESS OTHERWISE SPECIFIED:		APVD J. EARY 03DEC2010	NAME IMPACT, 6 PAIR, 10 COLUMN, HEADER RIGHT GUIDED, OPEN END WALL SIGNAL MODULE, 0.39 PTH
0 PLC ± 1 PLC ±0.25 2 PLC ±0.13 3 PLC ± 4 PLC ± ANGLES ±		PRODUCT SPEC	
MATERIAL		APPLICATION SPEC	RESTRICTED TO
FINISH SEE TABLE		WEIGHT	SIZE CAGE CODE DRAWING NO A100779C=2007877
		CUSTOMER DRAWING	SCALE 5:1 SHEET 2 OF 2 REV B1