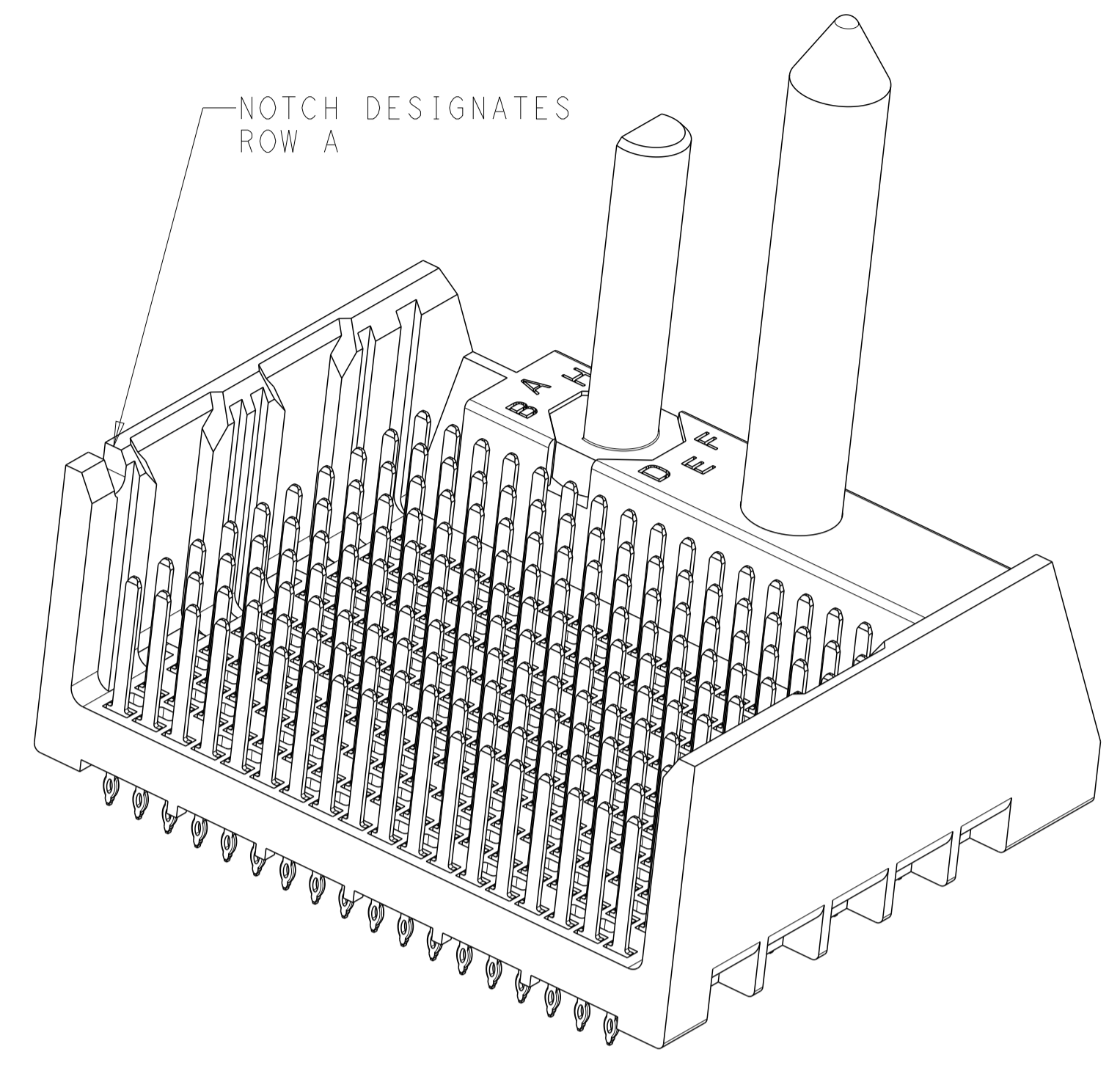
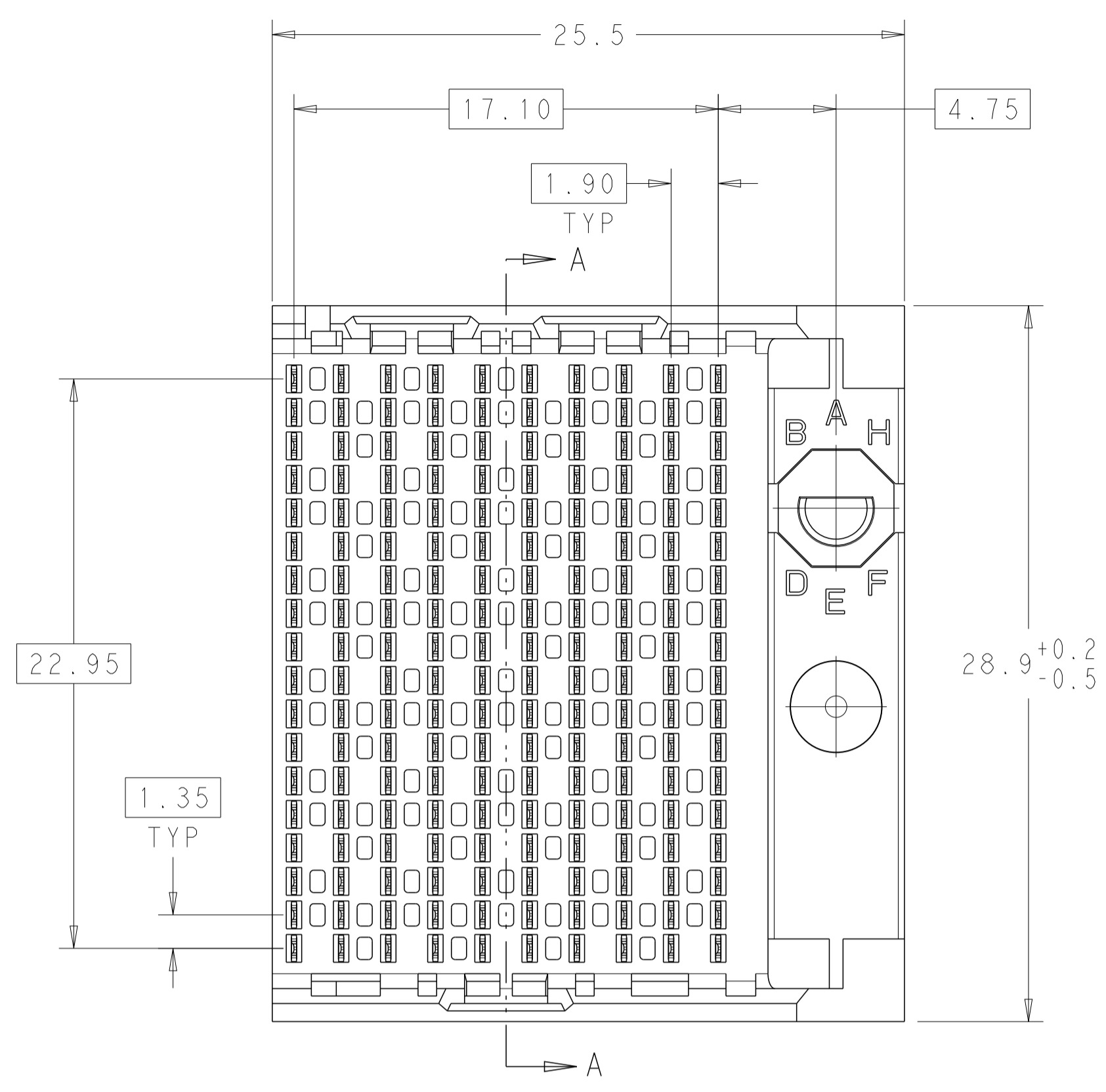
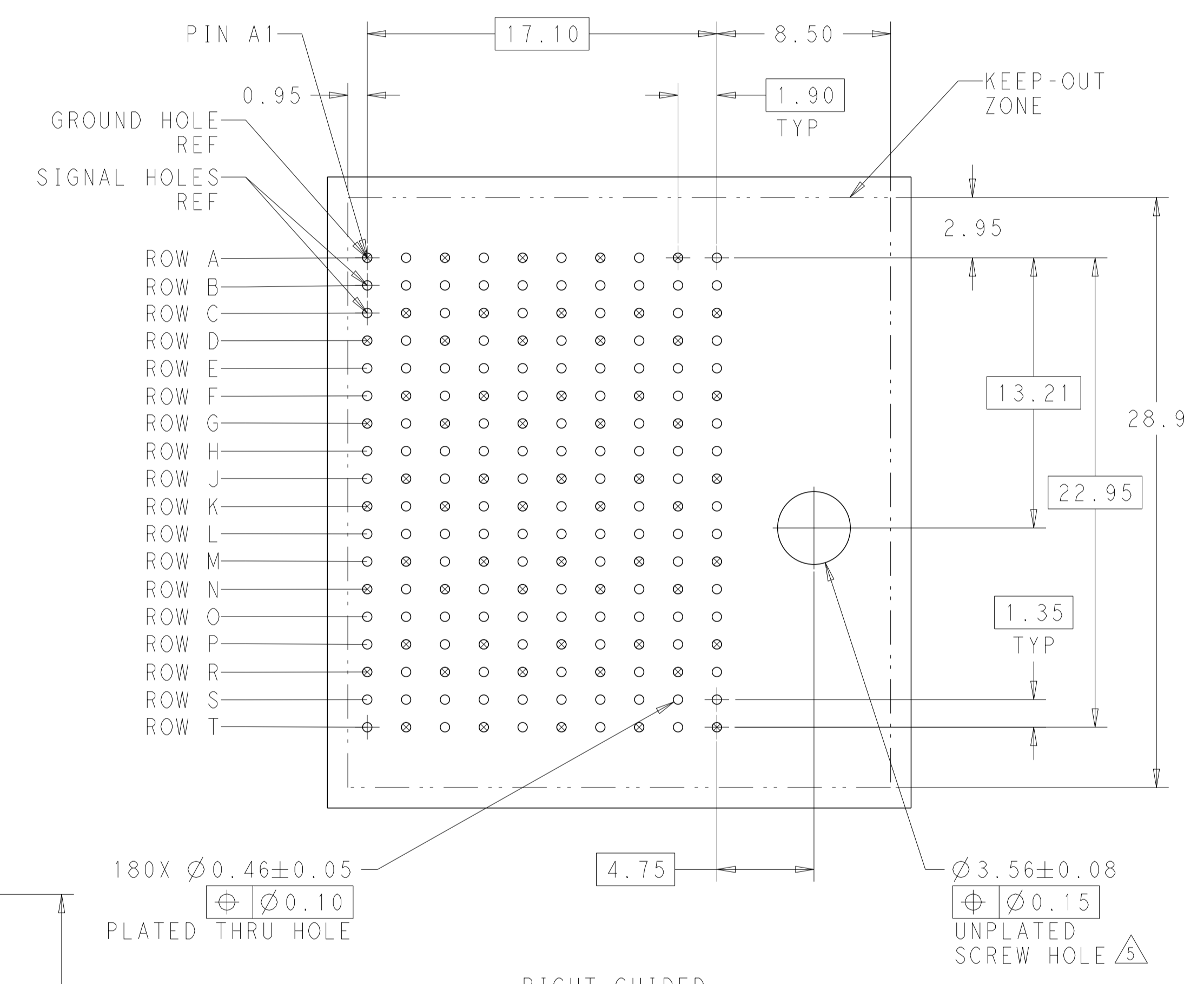


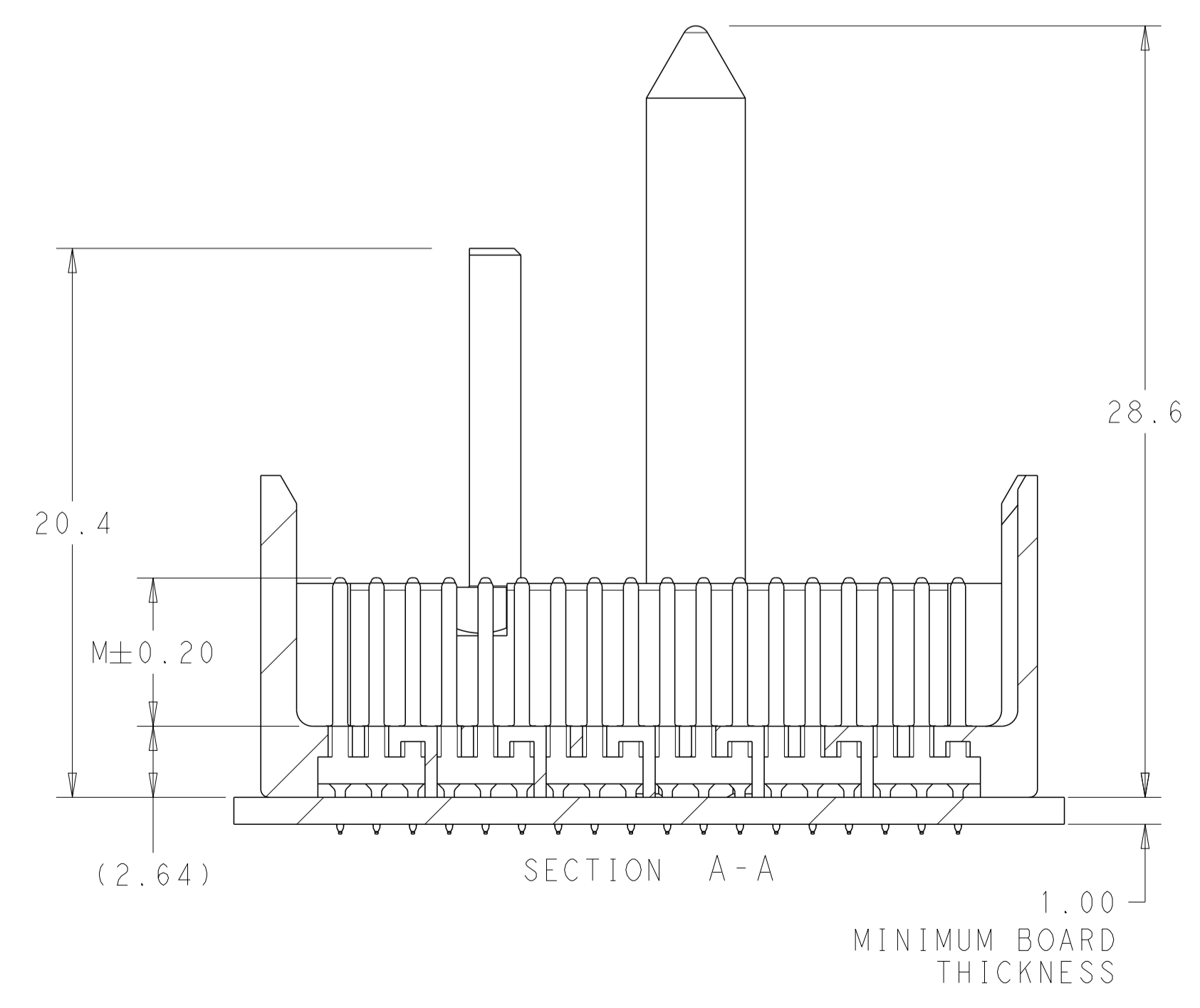
LOC	DIST	REVISIONS			
P	LTN	DESCRIPTION	DATE	DWN	APVD
A		CREATED BY AUTOMATION PROGRAM	02MAY2011	RKC	JE
A1		REVISED PER ECN-24-252171	22FEB2024	AP	RS



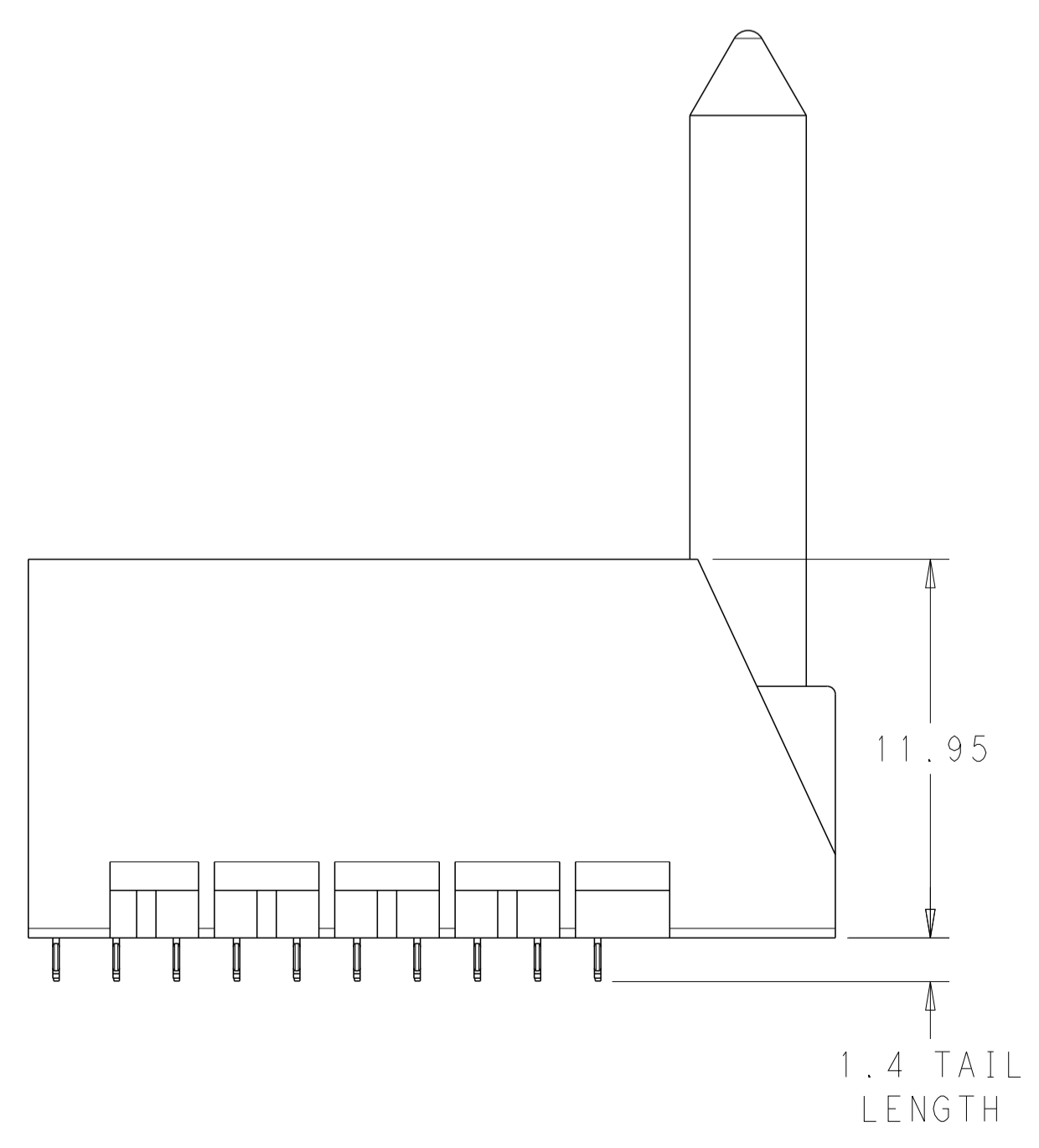
- 1. MATERIAL:  
HOUSING: LCP, GLASS FILLED, UL94V-0.  
TERMINALS: HIGH PERFORMANCE COPPER ALLOY.
- 2. FINISH:  
30μ" MIN GOLD IN CONTACT AREA. SELECTIVE TIN ON PCB TAILS, NICKEL OVERALL.
- 3. FINISH:  
30μ" MIN GOLD IN CONTACT AREA. SELECTIVE TIN-LEAD ON PCB TAILS, NICKEL OVERALL.
- 4. SCREWS PACKAGED IN END OF PACKAGING TUBE.
- 5. FOR GROUNDED GUIDE PIN USE Ø3.56±0.08 PTH, Ø3.66 DRILL, AND Ø6.5 PAD.
- 6. KEYING PIN SHOWN IN POSITION A, SEE KEYING CHART ON SHEET 2 FOR OTHER POSITIONS.



RIGHT GUIDED BACKPLANE HOLE PATTERN (CONNECTOR SIDE)



SECTION A-A



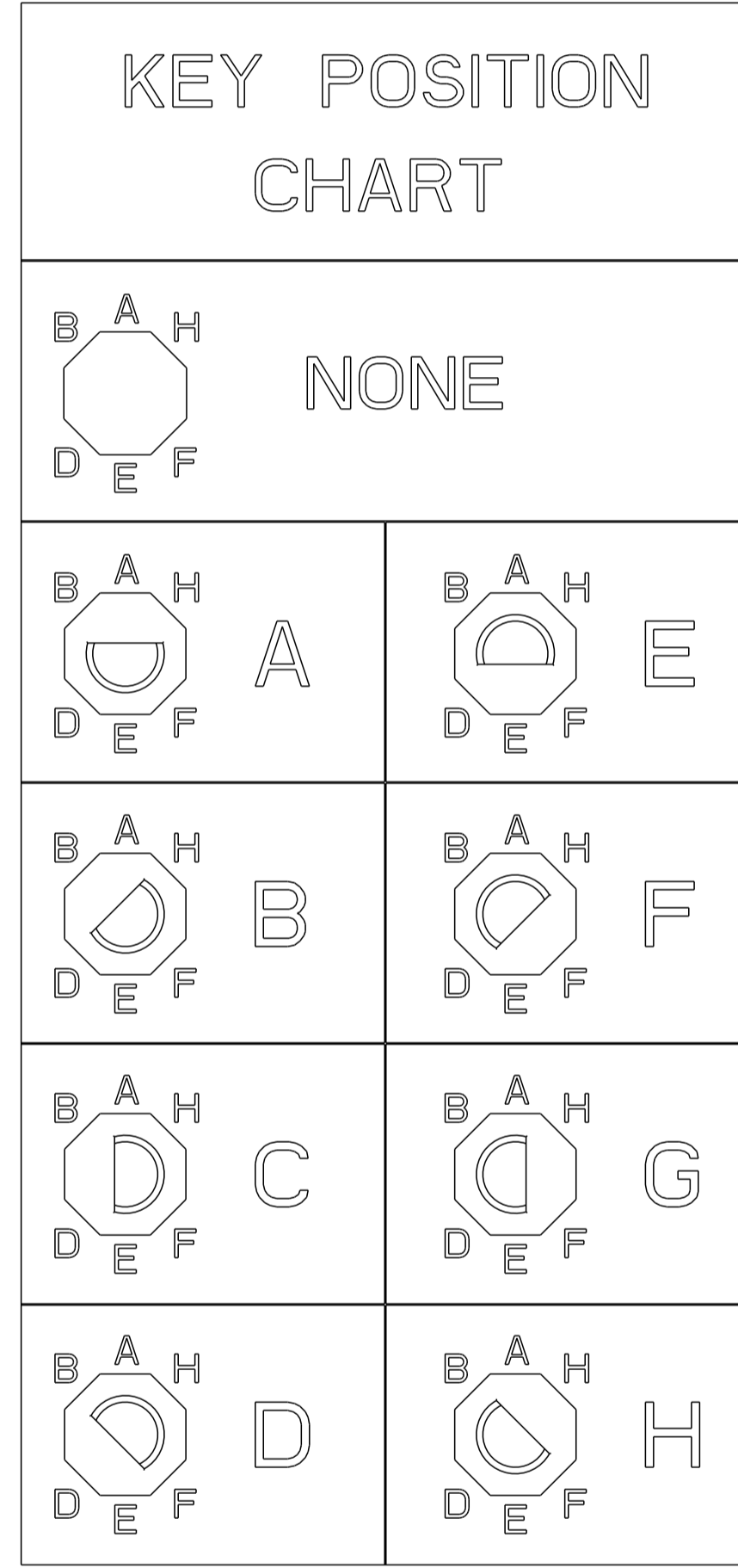
1.4 TAIL LENGTH

THIS DRAWING IS A CONTROLLED DOCUMENT.		DWN R. COELLO 02MAY2011	TE Connectivity
DIMENSIONS: mm		CHK J. EARY 02MAY2011	
TOLERANCES UNLESS OTHERWISE SPECIFIED:		APVD J. EARY 02MAY2011	NAME IMPACT, 6 PAIR, 10 COLUMN, HEADER RIGHT GUIDED, OPEN END WALL SIGNAL MODULE, 0.46 PTH
0 PLC ±0.25 1 PLC ±0.13 3 PLC ±0.13 4 PLC ±0.13 ANGLES ±0.13		PRODUCT SPEC	
MATERIAL		APPLICATION SPEC	SIZE CAGE CODE DRAWING NO A100779C=2007876
FINISH SEE TABLE		WEIGHT	
CUSTOMER DRAWING		SCALE 5:1	RESTRICTED TO
		SHEET 1 OF 2	REV A1

LOC	DIST	P	LYR	DESCRIPTION	DATE	OWN	APVD
AD	00	-	-	SEE SHEET 1	-	-	-

3	H	5.5	8-2007876-6
3	H	4.9	8-2007876-5
3	H	4.5	8-2007876-4
2	H	5.5	8-2007876-3
2	H	4.9	8-2007876-2
2	H	4.5	8-2007876-1
3	G	5.5	7-2007876-6
3	G	4.9	7-2007876-5
3	G	4.5	7-2007876-4
2	G	5.5	7-2007876-3
2	G	4.9	7-2007876-2
2	G	4.5	7-2007876-1
3	F	5.5	6-2007876-6
3	F	4.9	6-2007876-5
3	F	4.5	6-2007876-4
2	F	5.5	6-2007876-3
2	F	4.9	6-2007876-2
2	F	4.5	6-2007876-1
3	E	5.5	5-2007876-6
3	E	4.9	5-2007876-5
3	E	4.5	5-2007876-4
2	E	5.5	5-2007876-3
2	E	4.9	5-2007876-2
2	E	4.5	5-2007876-1
3	D	5.5	4-2007876-6
3	D	4.9	4-2007876-5
3	D	4.5	4-2007876-4
2	D	5.5	4-2007876-3
2	D	4.9	4-2007876-2
2	D	4.5	4-2007876-1
3	C	5.5	3-2007876-6
3	C	4.9	3-2007876-5
3	C	4.5	3-2007876-4
2	C	5.5	3-2007876-3
2	C	4.9	3-2007876-2
2	C	4.5	3-2007876-1
3	B	5.5	2-2007876-6
3	B	4.9	2-2007876-5
3	B	4.5	2-2007876-4
2	B	5.5	2-2007876-3
2	B	4.9	2-2007876-2
2	B	4.5	2-2007876-1
3	A	5.5	1-2007876-6
3	A	4.9	1-2007876-5
3	A	4.5	1-2007876-4
2	A	5.5	1-2007876-3
2	A	4.9	1-2007876-2
2	A	4.5	1-2007876-1
3	-	5.5	2007876-6
3	-	4.9	2007876-5
3	-	4.5	2007876-4
2	-	5.5	2007876-3
2	-	4.9	2007876-2
2	-	4.5	2007876-1
FINISH	KEY POSITION	DIM M	PART NUMBER

OBSOLETE



REFER TO WWW.TE.COM  
FOR PRODUCT AVAILABILITY

THIS DRAWING IS A CONTROLLED DOCUMENT.		OWN R. COELLO 02MAY2011	<b>TE</b> Connectivity
DIMENSIONS: mm		CHK J. EARY 02MAY2011	
TOLERANCES UNLESS OTHERWISE SPECIFIED:		APVD J. EARY 02MAY2011	NAME IMPACT, 6 PAIR, 10 COLUMN, HEADER RIGHT GUIDED, OPEN END WALL SIGNAL MODULE, 0.46 PTH
0 PLC ± 1 PLC ±0.25 2 PLC ±0.13 3 PLC ± 4 PLC ± ANGLES ± FINISH SEE TABLE		PRODUCT SPEC APPLICATION SPEC	
MATERIAL	WEIGHT	SIZE A100779	DRAWING NO C=2007876
CUSTOMER DRAWING		SCALE 5:1	SHEET 2 OF 2
		REV A1	