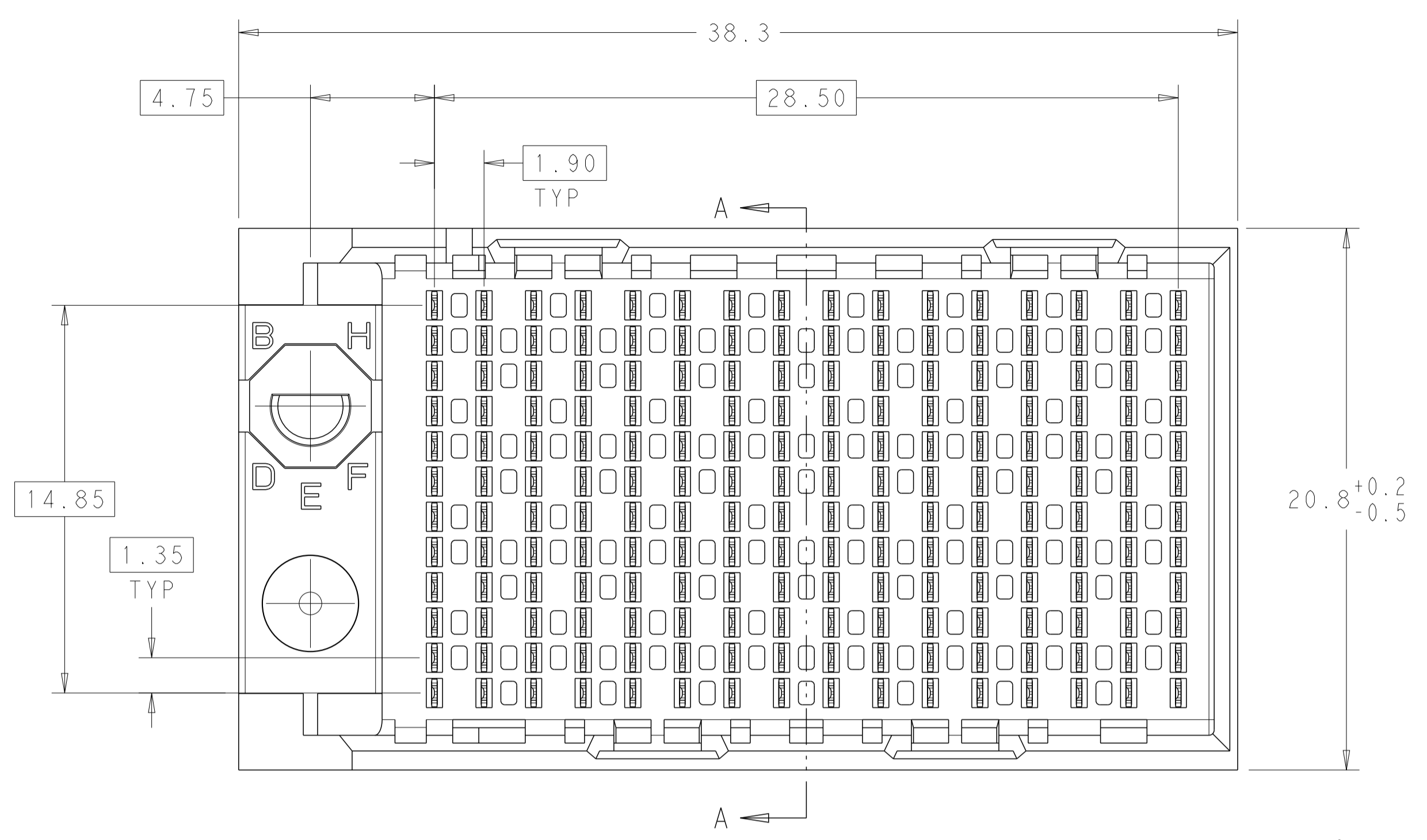
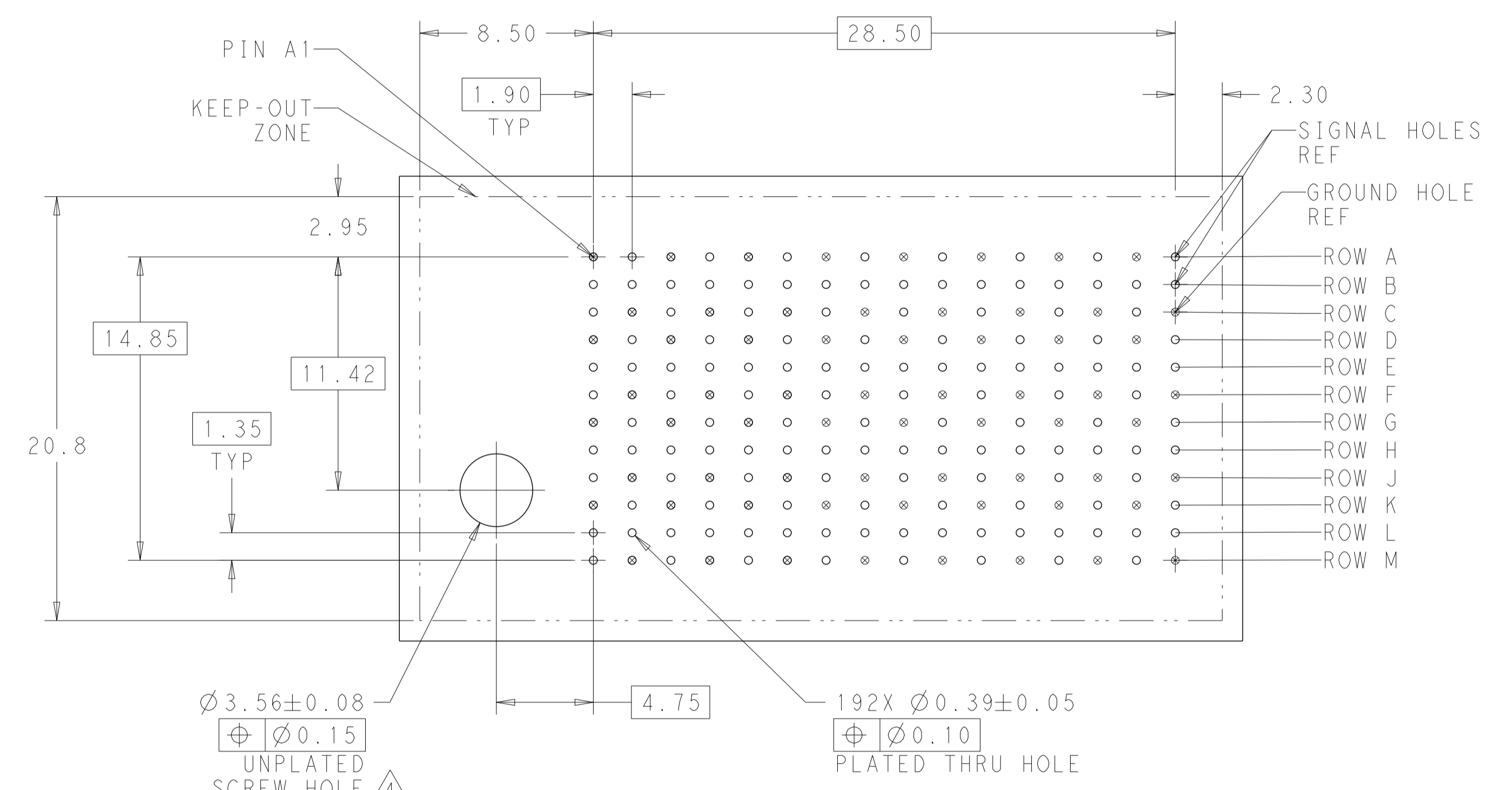
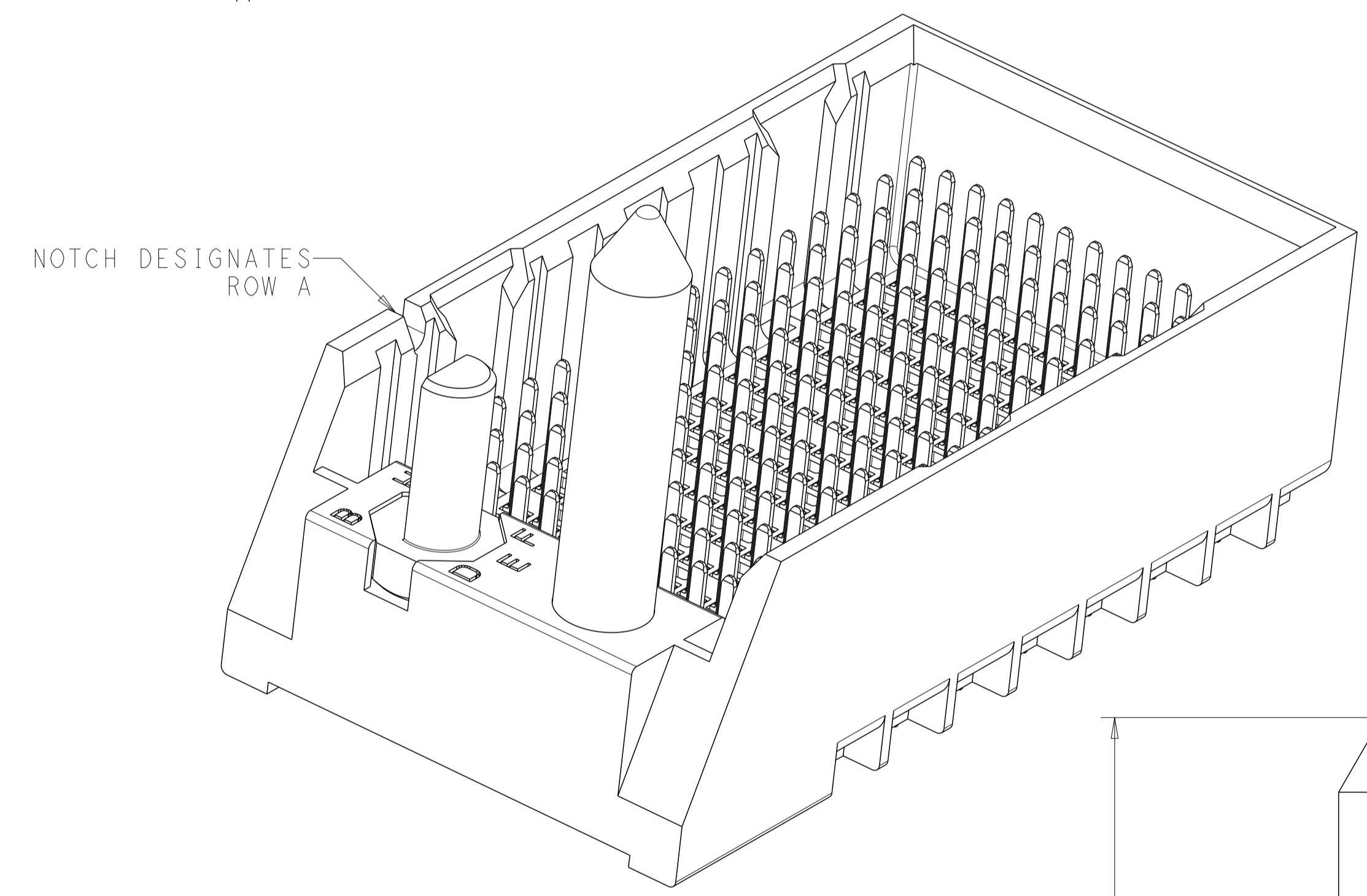


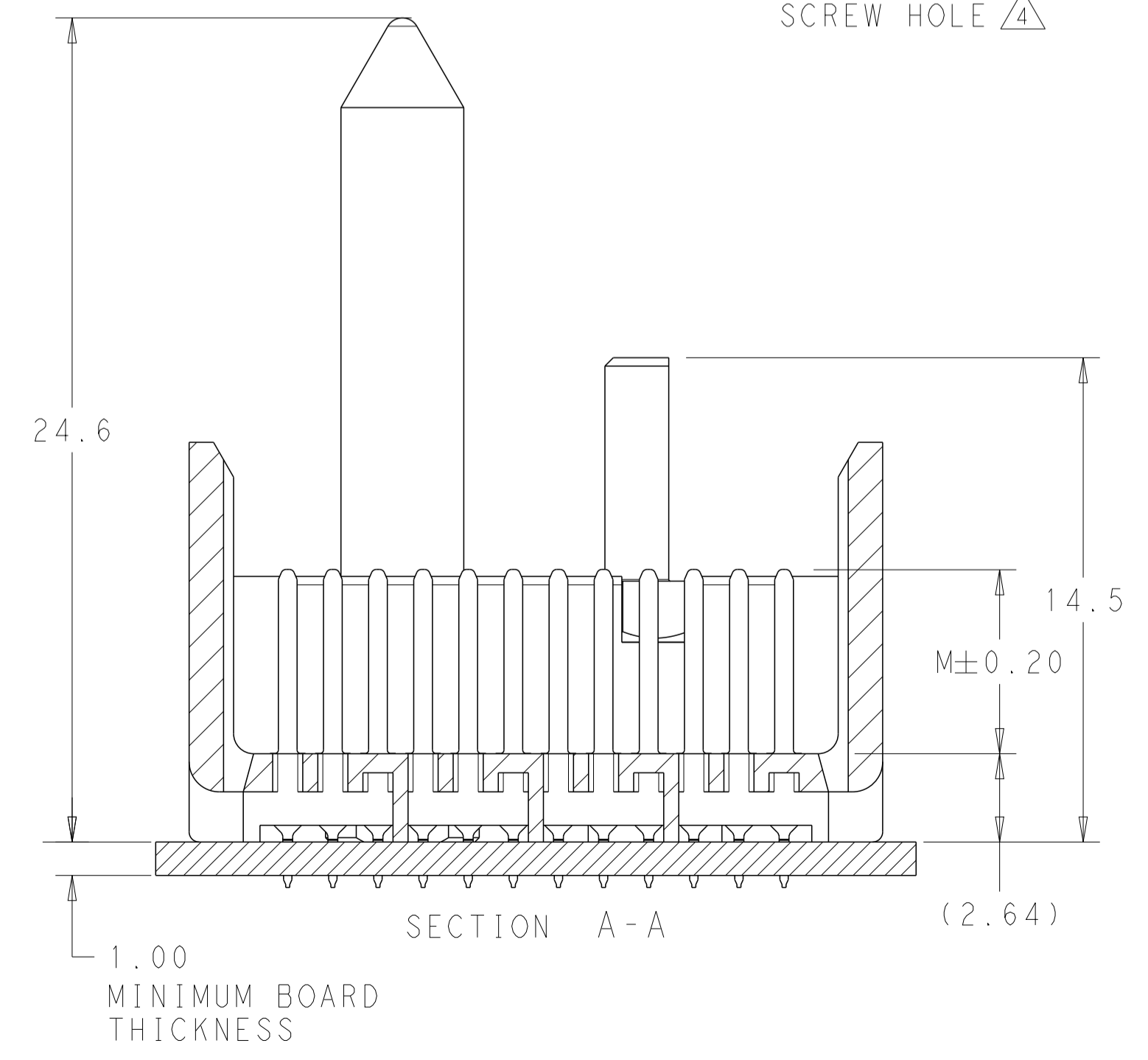
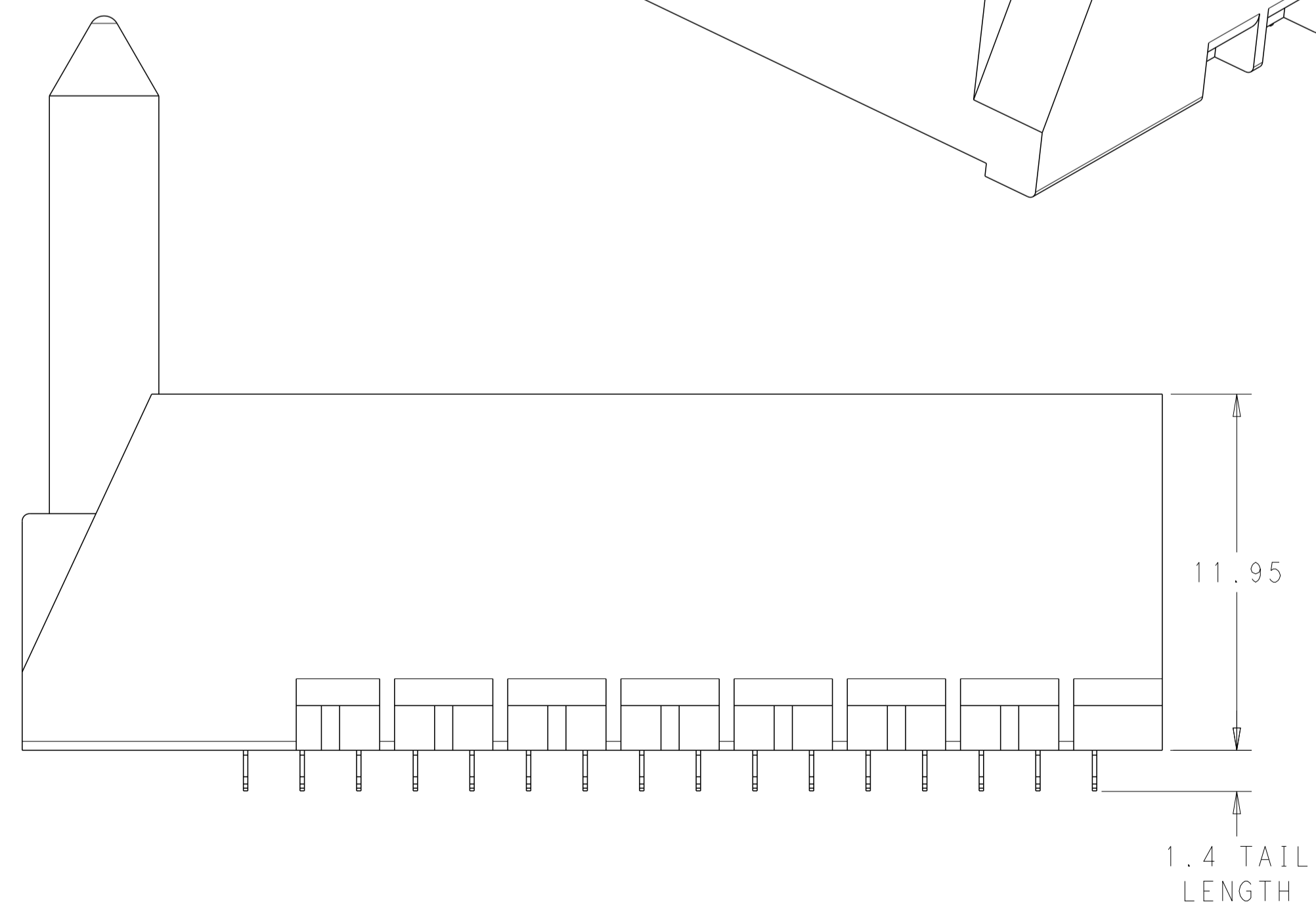
LOC	DIST	REVISIONS			
P	LTN	DESCRIPTION	DATE	DWN	APVD
B1		REVISED PER ECO-15-001494	05FEB2014	AP	DD
B2		REVISED PER ECN-24-252171	20FEB2024	AP	RS



- ⚠ MATERIAL:
HOUSING: LCP, GLASS FILLED, UL94V-0.
TERMINALS: HIGH PERFORMANCE COPPER ALLOY.
- ⚠ FINISH:
30μ" MIN GOLD IN CONTACT AREA. SELECTIVE TIN ON PCB TAILS, NICKEL OVERALL.
- 3. SCREWS PACKAGED IN END OF PACKAGING TUBE.
- ⚠ FOR GROUNDED GUIDE PIN USE Ø3.56±0.08 PTH, Ø3.66 DRILL, AND Ø6.5 PAD.
- 5. KEYING PIN SHOWN IN POSITION A, SEE KEYING CHART ON SHEET 2 FOR OTHER POSITIONS.



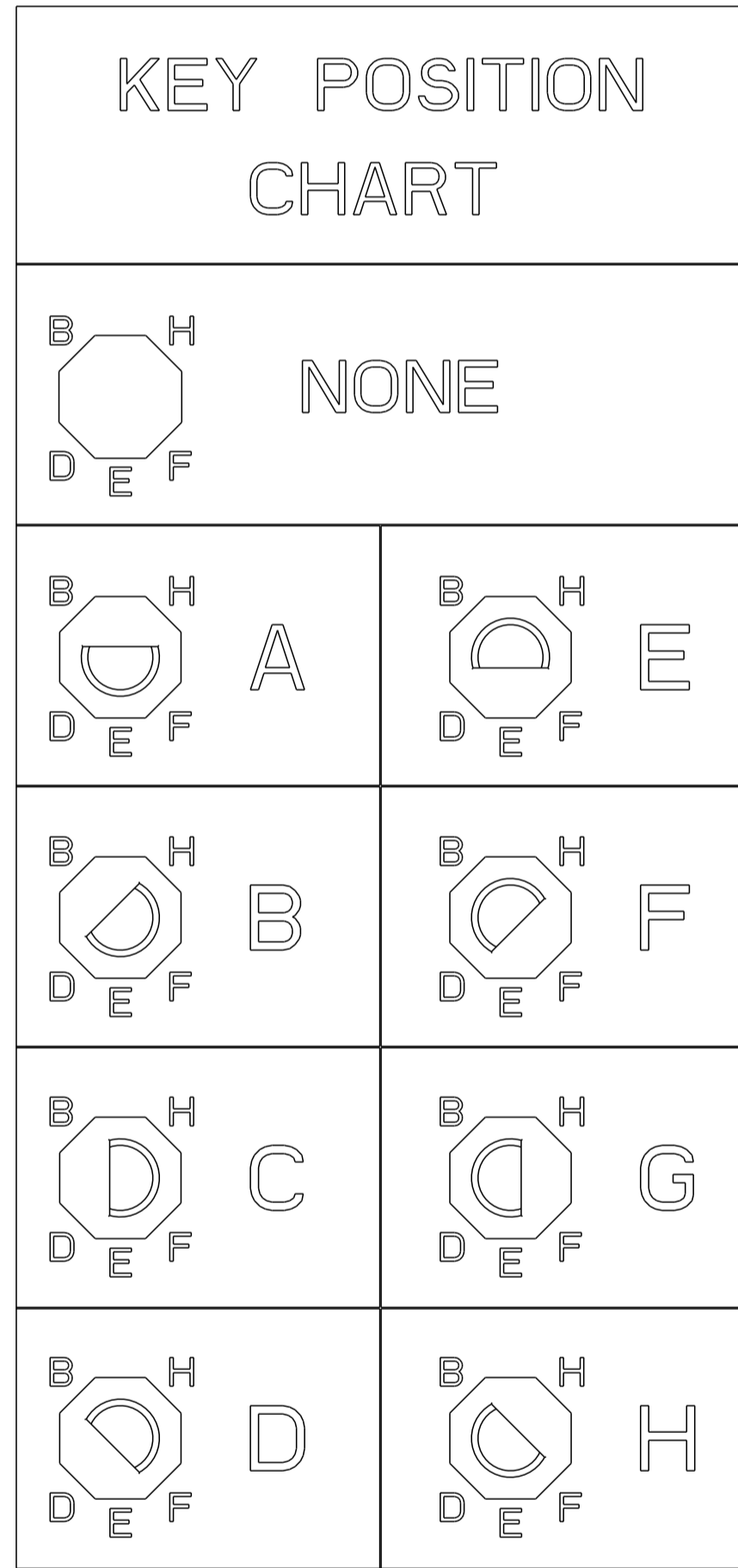
LEFT GUIDED BACKPLANE HOLE PATTERN (CONNECTOR SIDE)



THIS DRAWING IS A CONTROLLED DOCUMENT.		DWN J. K. SHOBER 13JAN2011	TE Connectivity
DIMENSIONS: mm		CHK J. EARY 13JAN2011	
TOLERANCES UNLESS OTHERWISE SPECIFIED:		APVD J. EARY 13JAN2011	NAME IMPACT, 4 PAIR, 16 COLUMN, HEADER LEFT GUIDED, RIGHT END WALL SIGNAL MODULE, 0.39 PTH
0 PLC ±	1 PLC ±0.25	PRODUCT SPEC	SIZE CAGE CODE DRAWING NO RESTRICTED TO
2 PLC ±0.13	3 PLC ±	APPLICATION SPEC	A100779C=2007827
4 PLC ±	ANGLES ±	WEIGHT	CUSTOMER DRAWING SCALE 6:1 SHEET 1 OF 2 REV B2
MATERIAL SEE TABLE		FINISH	

THIS DRAWING IS UNPUBLISHED. RELEASED FOR PUBLICATION 20
 © COPYRIGHT 20 . ALL RIGHTS RESERVED.

LOC	DIST	REVISIONS			
P	LTN	DESCRIPTION	DATE	DMN	APVD
-	-	SEE SHEET 1	-	-	-



	H	5.5	8-2007827-3	OBSOLETE
	H	4.9	8-2007827-2	
	H	4.5	8-2007827-1	
	G	5.5	7-2007827-3	
	G	4.9	7-2007827-2	
	G	4.5	7-2007827-1	
	F	5.5	6-2007827-3	
	F	4.9	6-2007827-2	
	F	4.5	6-2007827-1	
	E	5.5	5-2007827-3	
	E	4.9	5-2007827-2	
	E	4.5	5-2007827-1	
	D	5.5	4-2007827-3	
	D	4.9	4-2007827-2	
	D	4.5	4-2007827-1	
	C	5.5	3-2007827-3	
	C	4.9	3-2007827-2	
	C	4.5	3-2007827-1	
	B	5.5	2-2007827-3	
	B	4.9	2-2007827-2	
	B	4.5	2-2007827-1	
	A	5.5	1-2007827-3	
	A	4.9	1-2007827-2	
	A	4.5	1-2007827-1	
	-	5.5	2007827-3	
	-	4.9	2007827-2	
	-	4.5	2007827-1	
FINISH	KEY POSITION	DIM M	PART NUMBER	

REFER TO WWW.TE.COM
FOR PRODUCT AVAILABILITY

THIS DRAWING IS A CONTROLLED DOCUMENT.		DMN J. K. SHOBER 13JAN2011	TE Connectivity
DIMENSIONS: mm		CHK J. EARY 13JAN2011	
TOLERANCES UNLESS OTHERWISE SPECIFIED: 0 PLC ± 1 PLC ±0.25 2 PLC ±0.13 3 PLC ± 4 PLC ± ANGLES ± FINISH SEE TABLE		APVD J. EARY 13JAN2011	NAME IMPACT, 4 PAIR, 16 COLUMN, HEADER LEFT GUIDED, RIGHT END WALL SIGNAL MODULE, 0.39 PTH
MATERIAL	WEIGHT	SIZE A100779	CAGE CODE C=2007827
CUSTOMER DRAWING		SCALE 5:1	SHEET 2 OF 2
		REV B2	