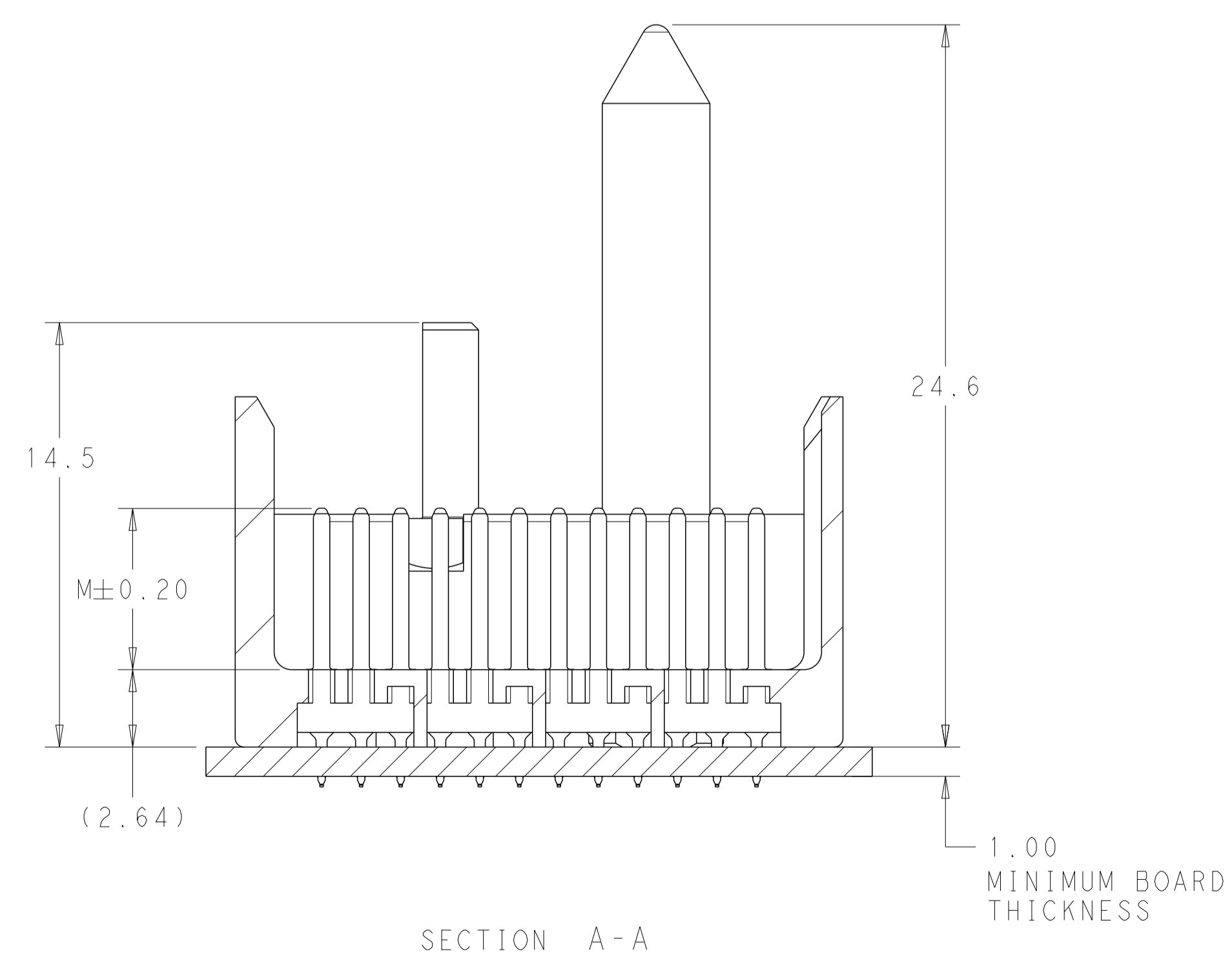
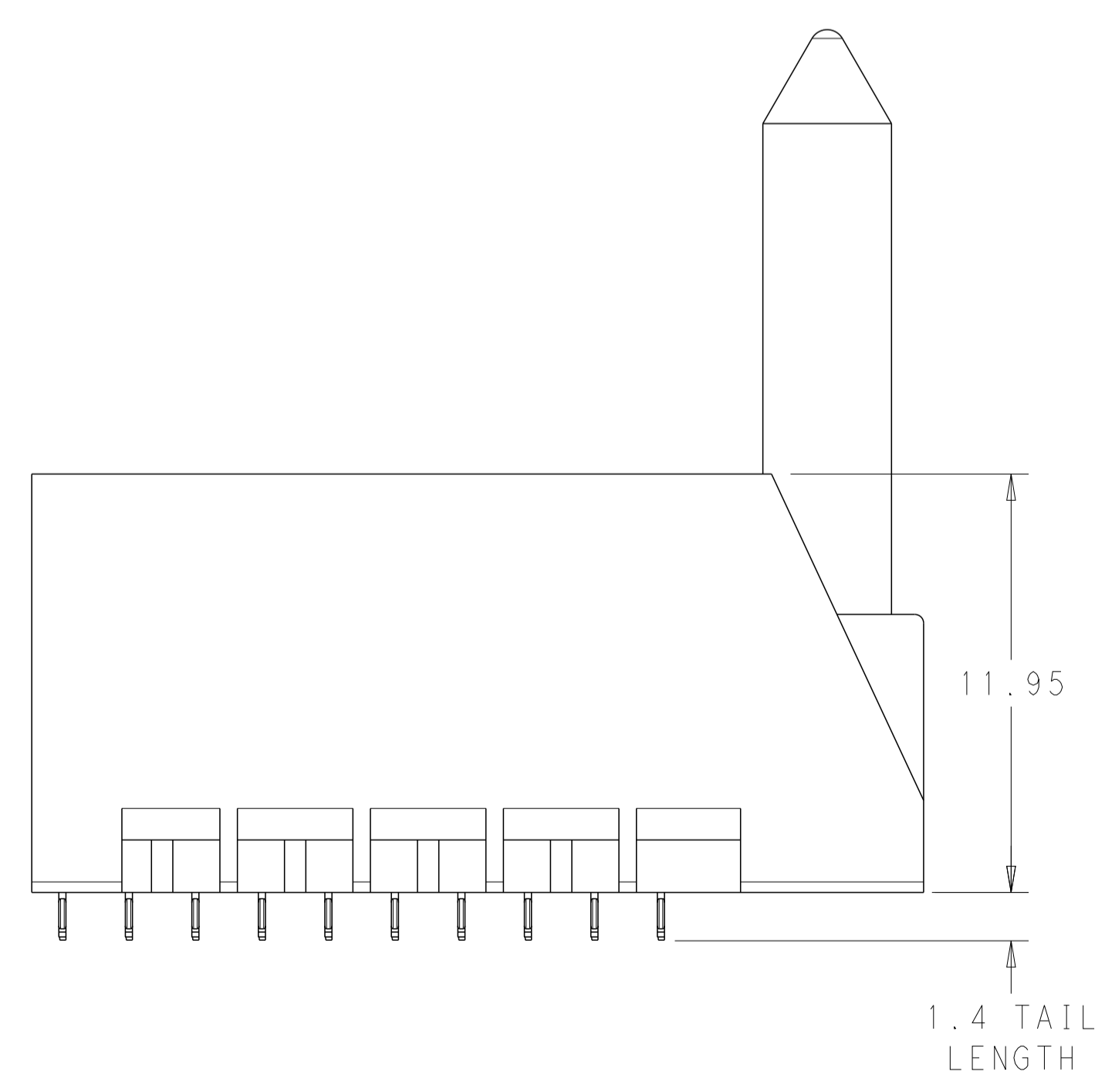
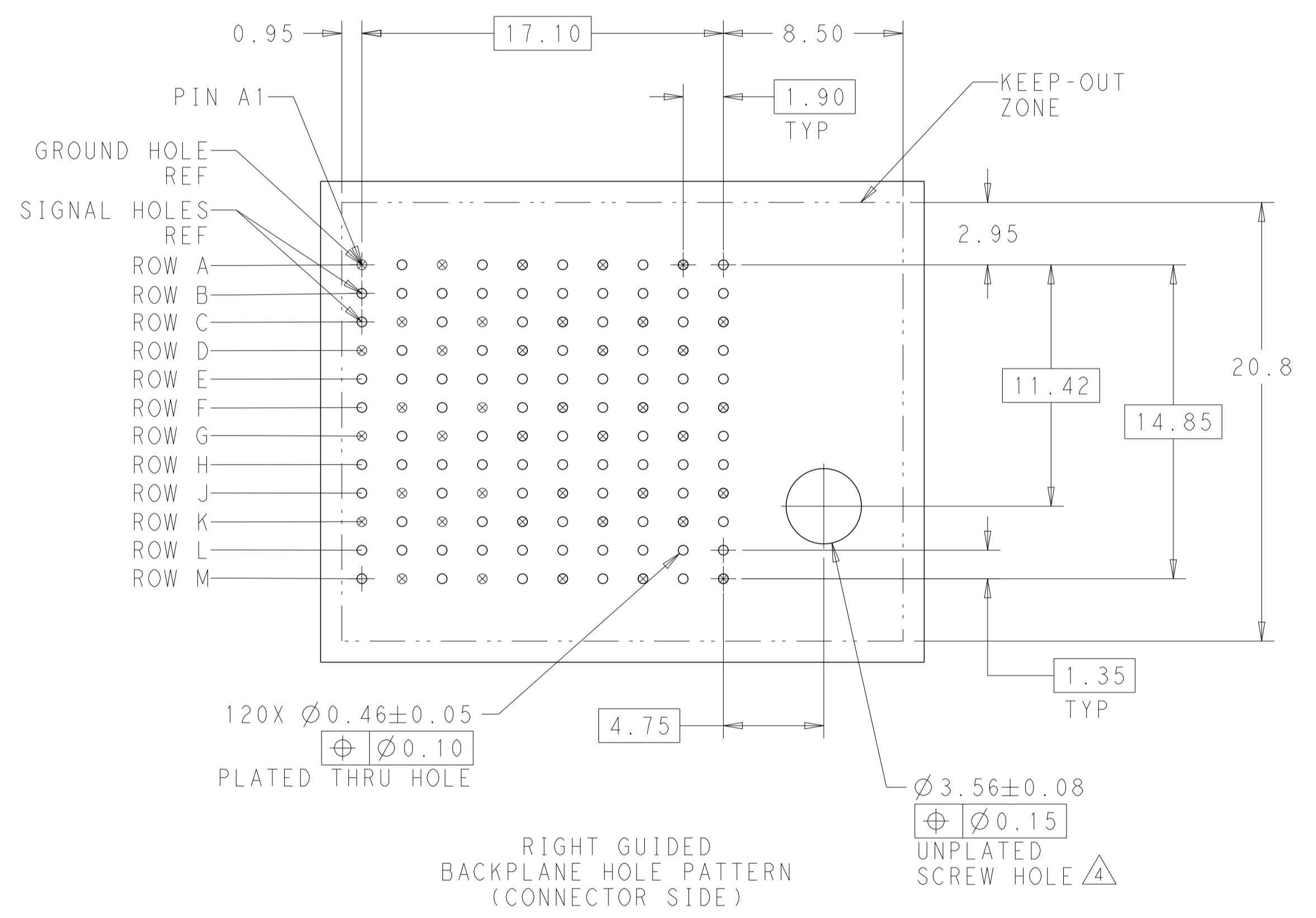
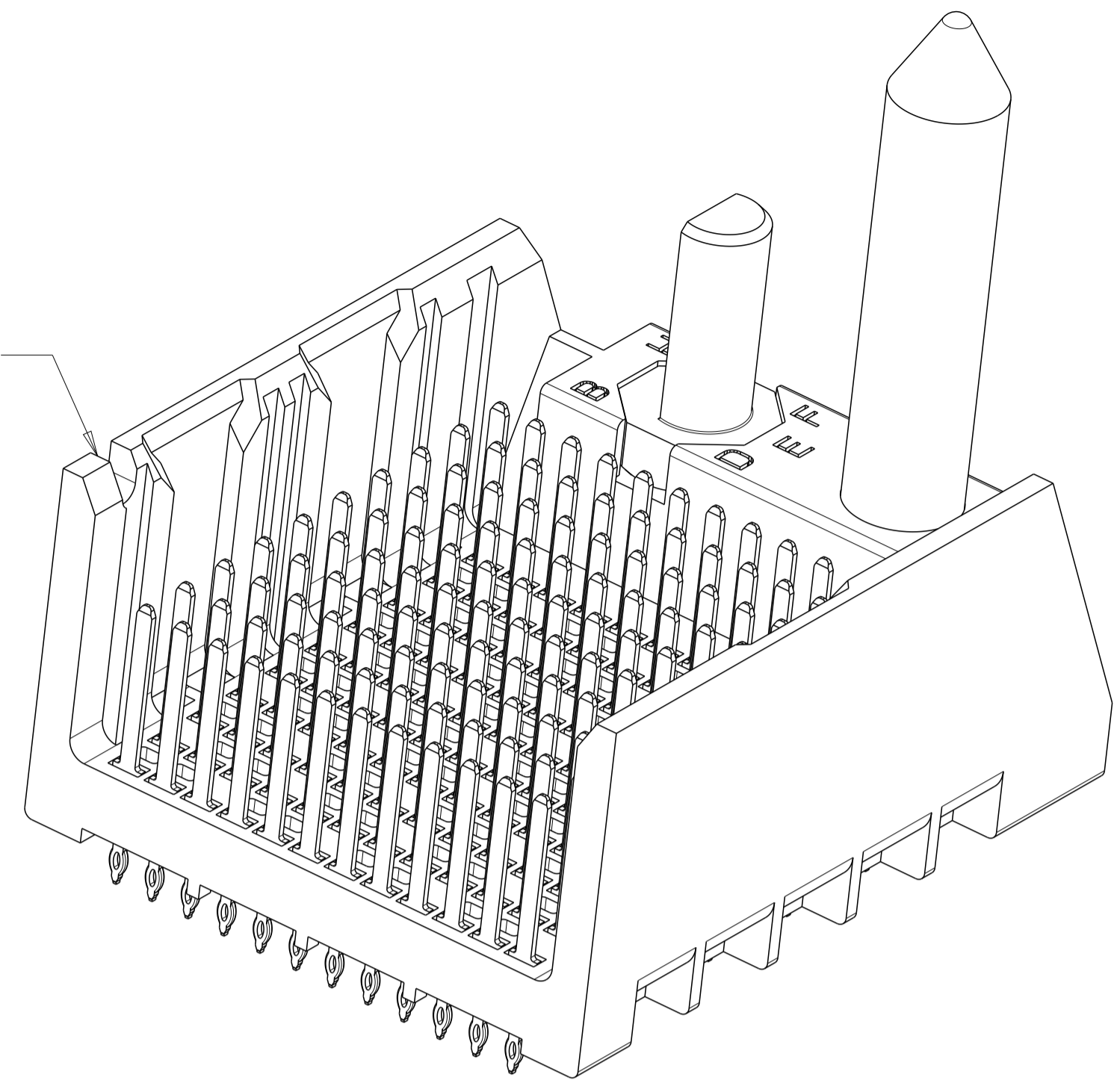
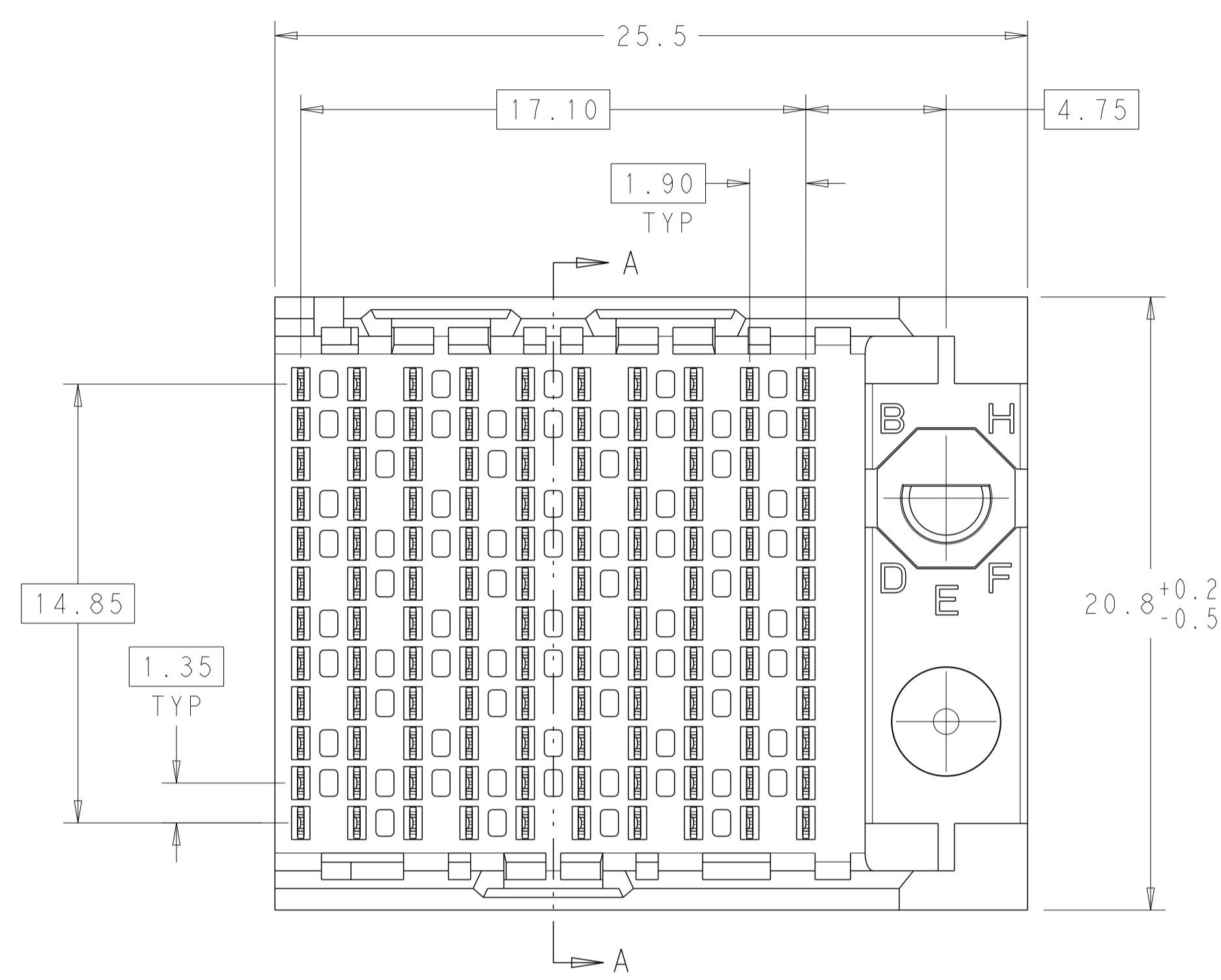


REVISIONS				
P	LTN	DESCRIPTION	DATE	APVD
A1		REVISED PER ECO-15-001494	04FEB2015	AP DD
A2		REVISED PER ECN-24-252171	20FEB2024	AP RS

- 1. MATERIAL:
HOUSING: LCP, GLASS FILLED, UL94V-0.
TERMINALS: HIGH PERFORMANCE COPPER ALLOY.
- 2. FINISH:
30μ" MIN GOLD IN CONTACT AREA. SELECTIVE TIN ON PCB TAILS, NICKEL OVERALL.
- 3. SCREWS PACKAGED IN END OF PACKAGING TUBE.
- 4. FOR GROUNDED GUIDE PIN USE Ø3.56±0.08 PTH, Ø3.66 DRILL, AND Ø6.5 PAD.
- 5. KEYING PIN SHOWN IN POSITION A, SEE KEYING CHART ON SHEET 2 FOR OTHER POSITIONS.

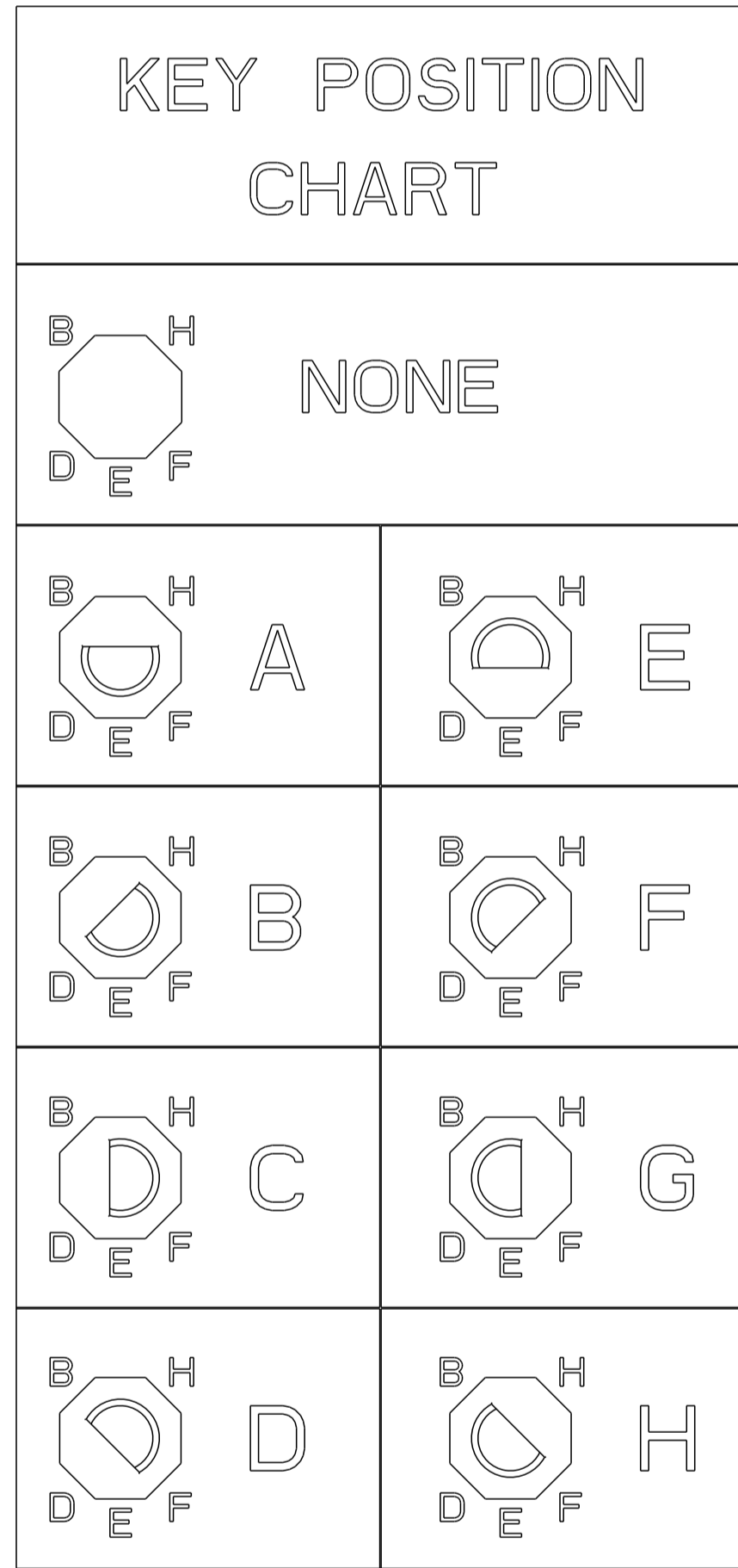
NOTCH DESIGNATES ROW A



THIS DRAWING IS A CONTROLLED DOCUMENT.		OWN J. K. SHOBER 22DEC2010	STE TE Connectivity	
DIMENSIONS: mm		CHK J. EARY 22DEC2010		
TOLERANCES UNLESS OTHERWISE SPECIFIED:		APVD J. EARY 22DEC2010	NAME IMPACT, 4 PAIR, 10 COLUMN, HEADER	
0 PLC	±	PRODUCT SPEC	RIGHT GUIDED, OPEN END WALL	
1 PLC	±0.25	APPLICATION SPEC	SIGNAL MODULE, 0.46 PTH	
2 PLC	±0.13	SIZE CAGE CODE DRAWING NO	RESTRICTED TO	
3 PLC	±	WEIGHT	A100779C=2007812	
4 PLC	±	CUSTOMER DRAWING	SCALE 6:1 SHEET 1 OF 2 REV A2	
ANGLES	±			
FINISH	SEE TABLE			

THIS DRAWING IS UNPUBLISHED. RELEASED FOR PUBLICATION 20
 © COPYRIGHT 20 BY - ALL RIGHTS RESERVED.

REVISIONS				
P	LTN	DESCRIPTION	DATE	APVD
-		SEE SHEET 1	-	-



	H	5.5	8-2007812-3	OBSOLETE
	H	4.9	8-2007812-2	
	H	4.5	8-2007812-1	
	G	5.5	7-2007812-3	
	G	4.9	7-2007812-2	
	G	4.5	7-2007812-1	
	F	5.5	6-2007812-3	
	F	4.9	6-2007812-2	
	F	4.5	6-2007812-1	
	E	5.5	5-2007812-3	
	E	4.9	5-2007812-2	
	E	4.5	5-2007812-1	
	D	5.5	4-2007812-3	
	D	4.9	4-2007812-2	
	D	4.5	4-2007812-1	
	C	5.5	3-2007812-3	
	C	4.9	3-2007812-2	
	C	4.5	3-2007812-1	
	B	5.5	2-2007812-3	
	B	4.9	2-2007812-2	
	B	4.5	2-2007812-1	
	A	5.5	1-2007812-3	
	A	4.9	1-2007812-2	
	A	4.5	1-2007812-1	
	-	5.5	2007812-3	
	-	4.9	2007812-2	
	-	4.5	2007812-1	
FINISH	KEY POSITION	DIM M	PART NUMBER	

OBSOLETE

OBSOLETE

REFER TO WWW.TE.COM
FOR PRODUCT AVAILABILITY

THIS DRAWING IS A CONTROLLED DOCUMENT.		DWN J. K. SHOBER 22DEC2010 CHK J. EARY 22DEC2010	TE Connectivity
DIMENSIONS: mm	TOLERANCES UNLESS OTHERWISE SPECIFIED: 0 PLC ±0.25 1 PLC ±0.13 2 PLC ±0.13 3 PLC ±0.13 4 PLC ±0.13 ANGLES ±0.13 FINISH ±0.13	APVD J. EARY 22DEC2010	
MATERIAL: -		WEIGHT: -	NAME: IMPACT, 4 PAIR, 10 COLUMN, HEADER RIGHT GUIDED, OPEN END WALL SIGNAL MODULE, 0.46 PTH
SEE TABLE		CUSTOMER DRAWING	SIZE: A1 CAGE CODE: 00779 DRAWING NO: C=2007812 RESTRICTED TO: -
SCALE: 5:1		SHEET 2 OF 2	REV: A2