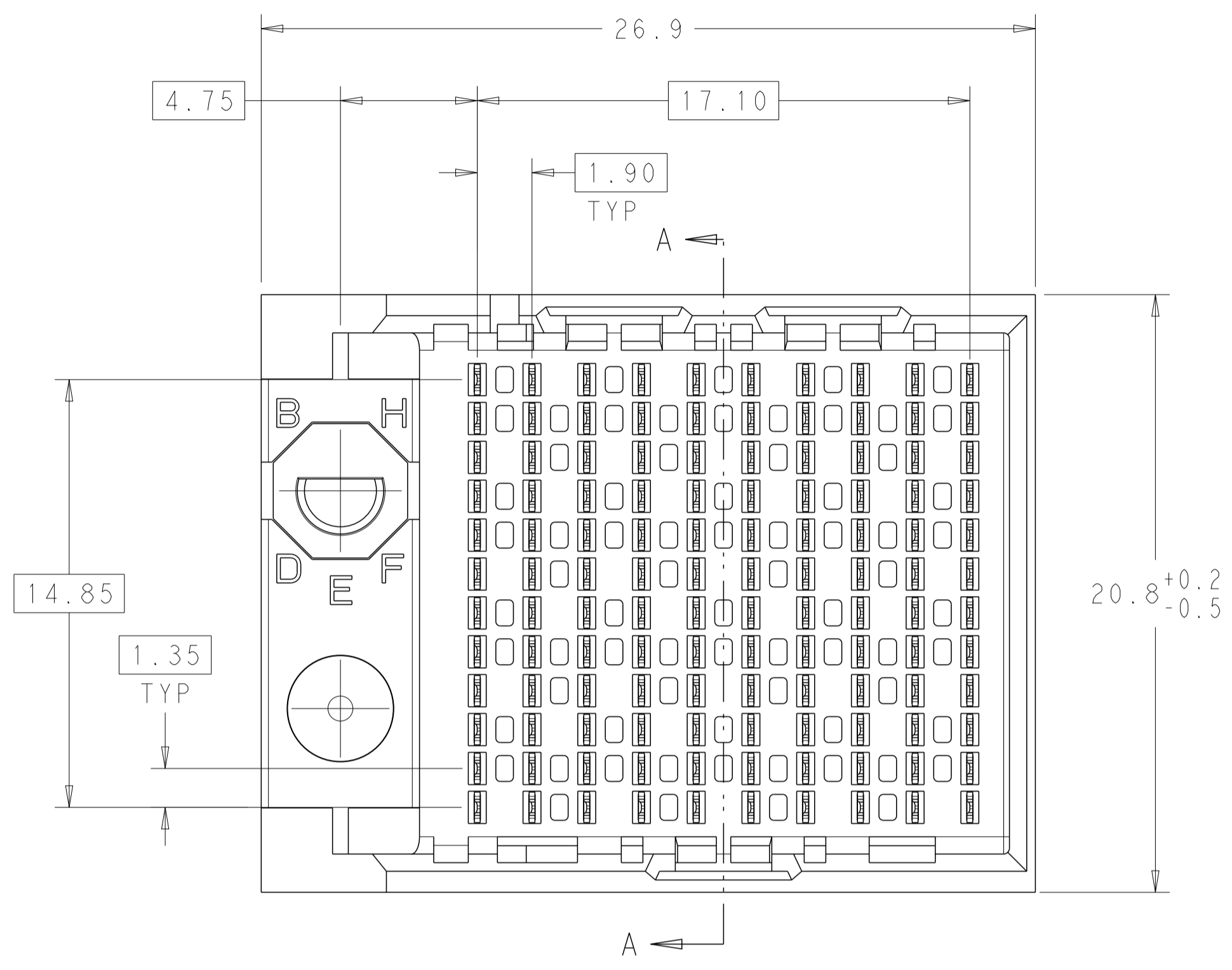
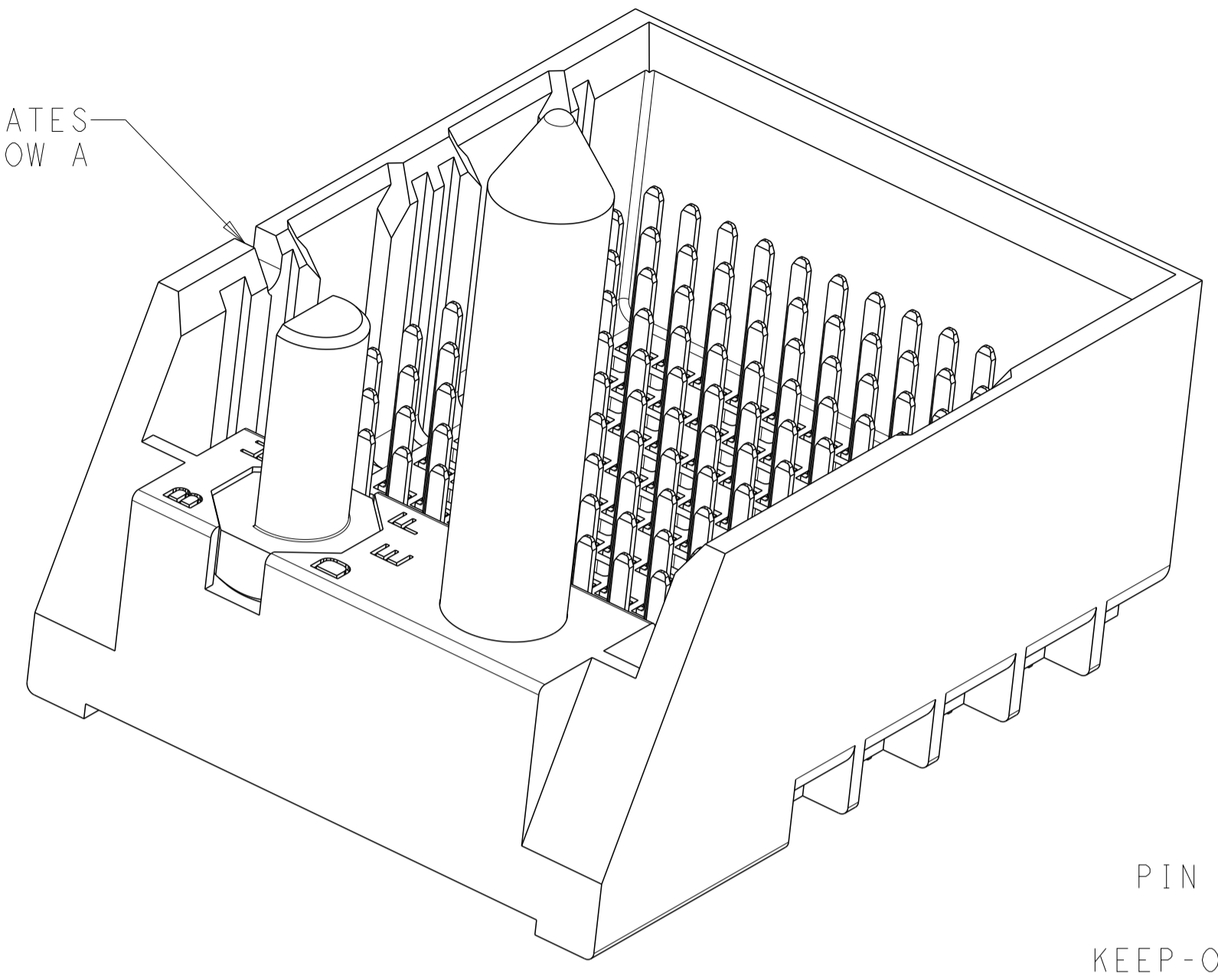


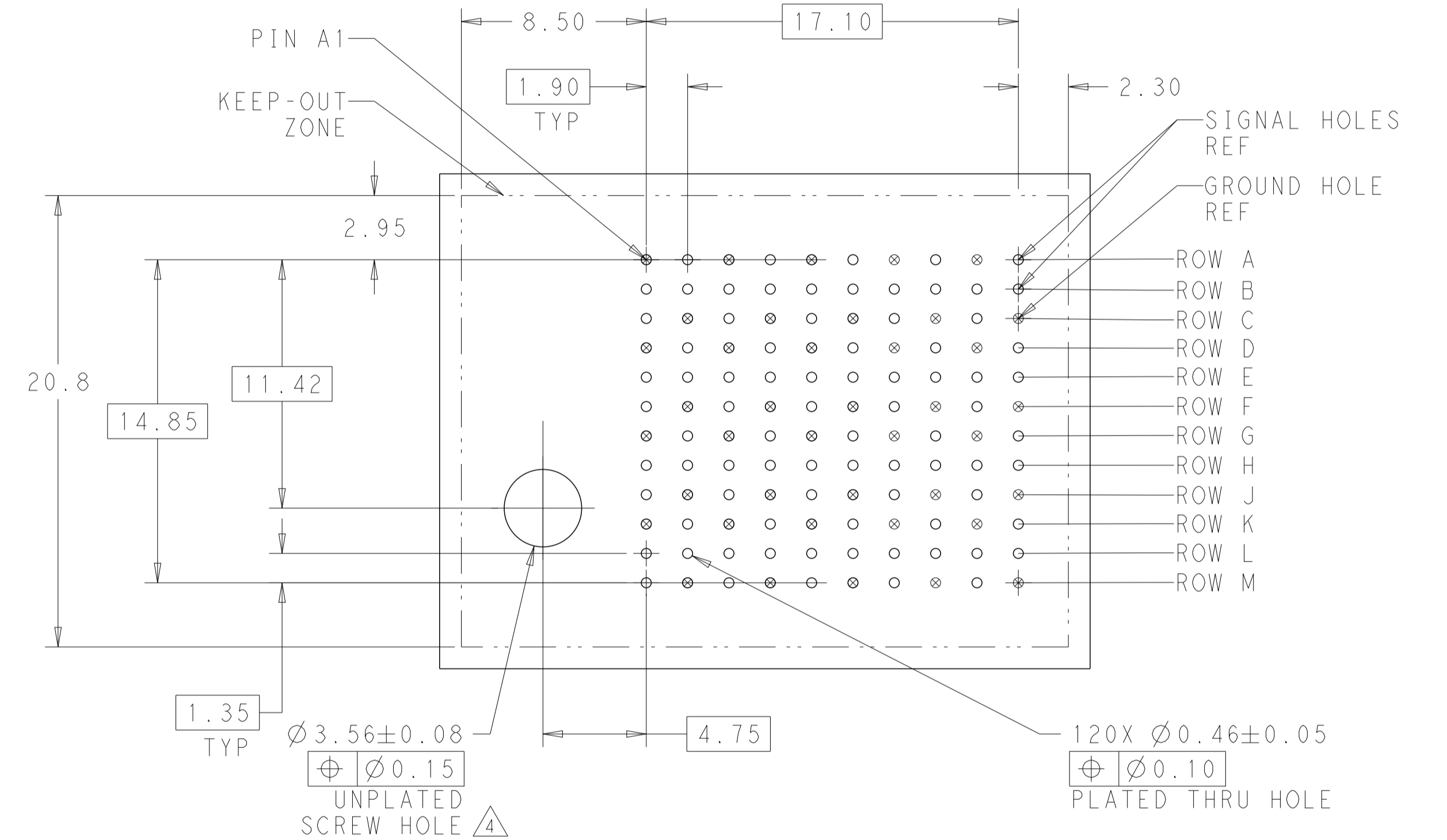
REVISIONS				
P	LTR	DESCRIPTION	DATE	APV
A1		REVISED PER ECO-15-001494	03FEB2015	AP DD
A2		REVISED PER ECN-24-252171	20FEB2024	AP RS



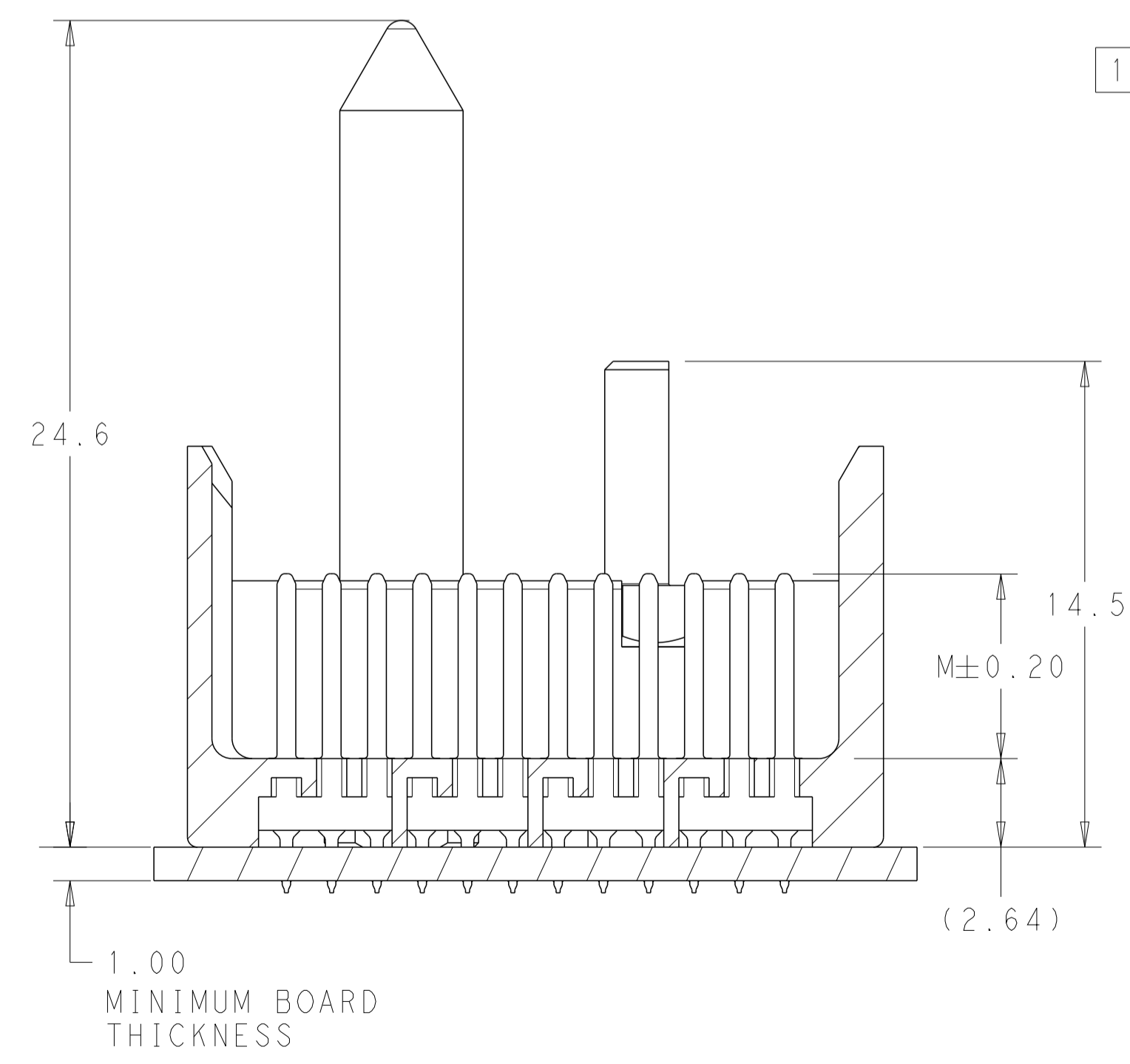
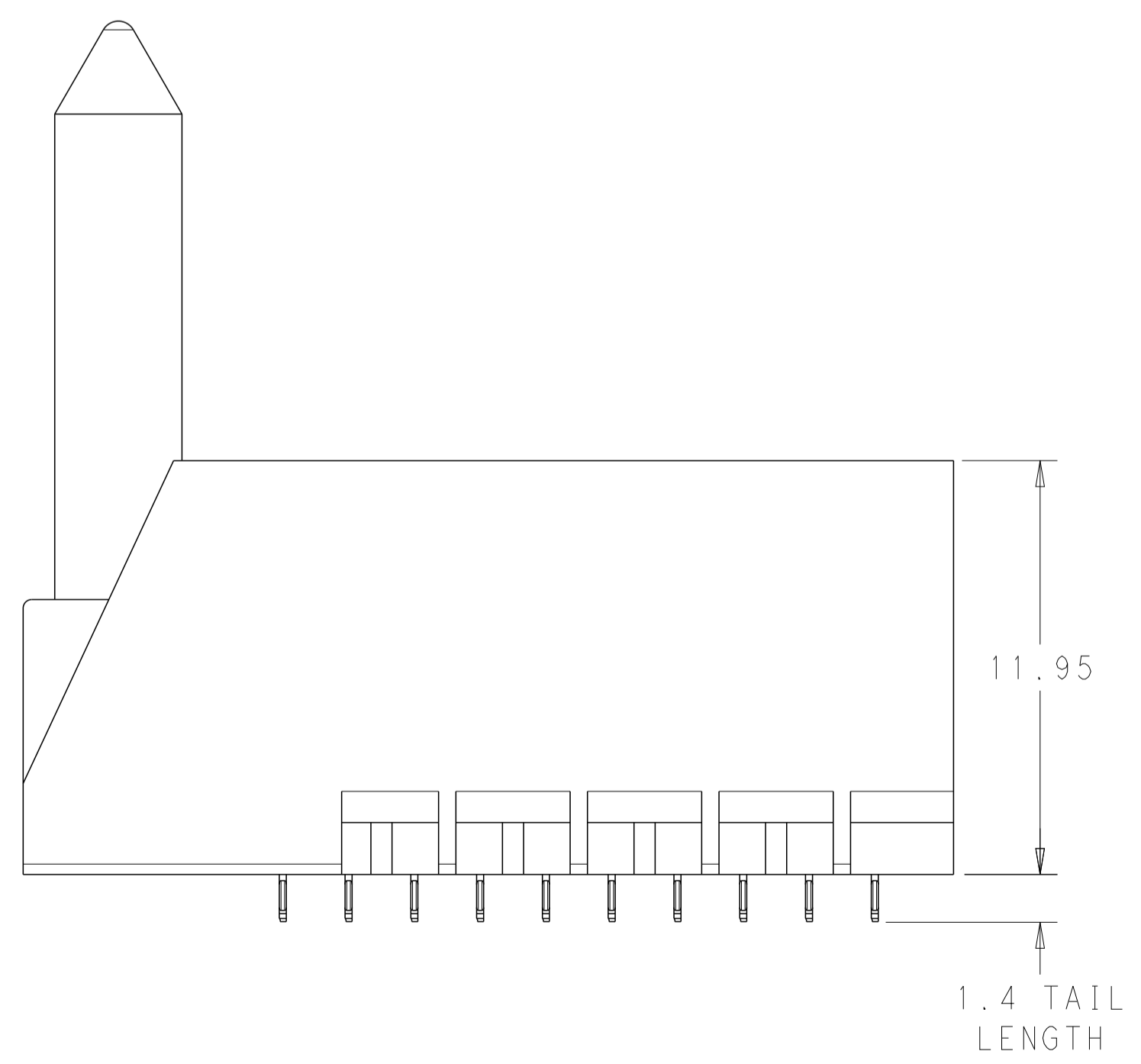
NOTCH DESIGNATES ROW A



- 1 MATERIAL: HOUSING: LCP, GLASS FILLED, UL94V-0. TERMINALS: HIGH PERFORMANCE COPPER ALLOY.
- 2 FINISH: 30μ" MIN GOLD IN CONTACT AREA. SELECTIVE TIN ON PCB TAILS, NICKEL OVERALL.
- 3. SCREWS PACKAGED IN END OF PACKAGING TUBE.
- 4 FOR GROUNDED GUIDE PIN USE Ø3.56±0.08 PTH, Ø3.66 DRILL, AND Ø6.5 PAD.
- 5. KEYING PIN SHOWN IN POSITION A, SEE KEYING CHART ON SHEET 2 FOR OTHER POSITIONS.



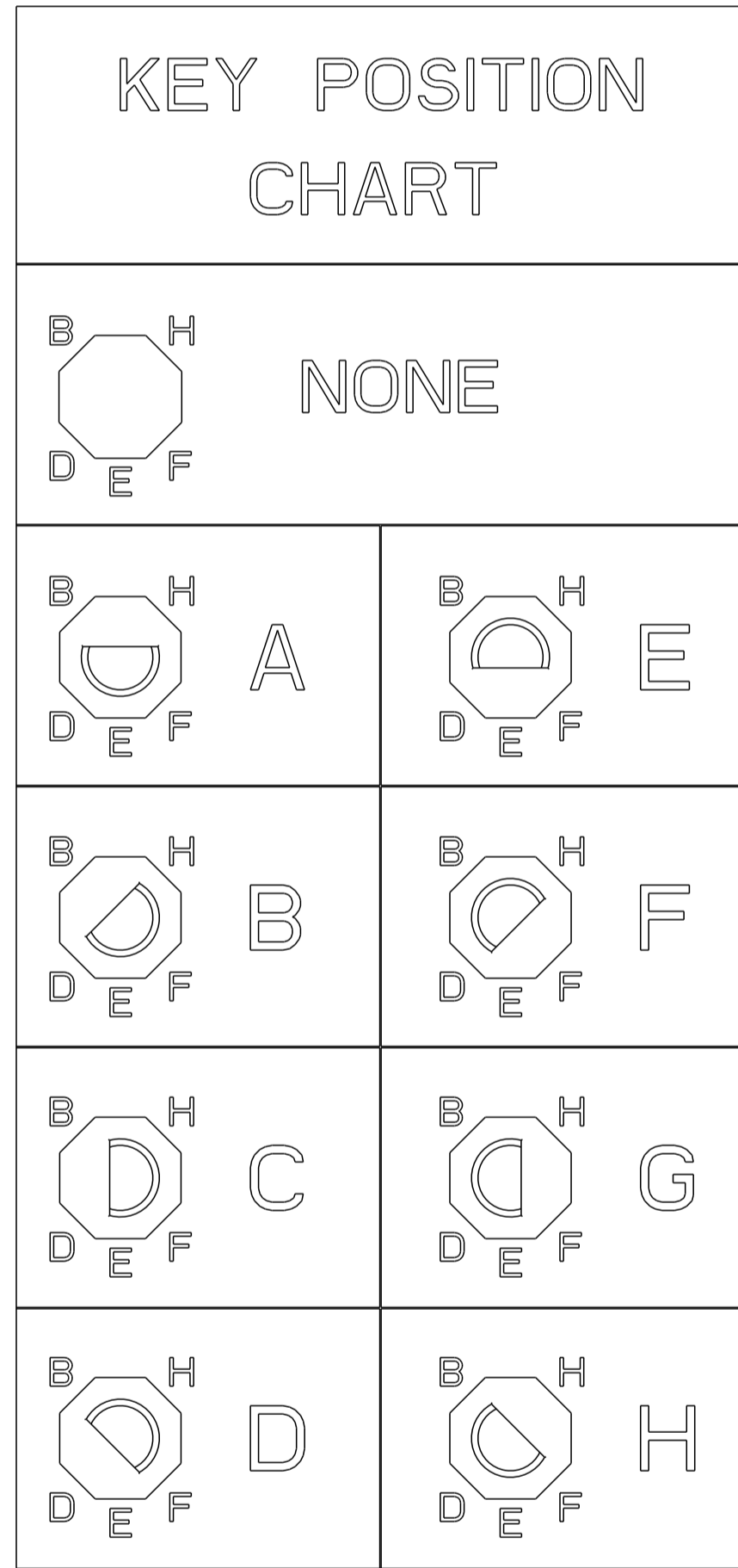
LEFT GUIDED BACKPLANE HOLE PATTERN (CONNECTOR SIDE)



SECTION A-A

THIS DRAWING IS A CONTROLLED DOCUMENT.		OWN J. K. SHOBER 03JAN2011	TE Connectivity
DIMENSIONS: mm		CHK J. EARY 03JAN2011	
TOLERANCES UNLESS OTHERWISE SPECIFIED:		APV J. EARY 03JAN2011	NAME IMPACT, 4 PAIR, 10 COLUMN, HEADER LEFT GUIDED, RIGHT END WALL SIGNAL MODULE, 0.46 PTH
0 PLC ±0.25		PRODUCT SPEC	
1 PLC ±0.13		APPLICATION SPEC	SIZE CAGE CODE DRAWING NO RESTRICTED TO
2 PLC ±0.13		WEIGHT	A100779C=2007810
3 PLC ±0.13		CUSTOMER DRAWING	SCALE 6:1 SHEET 1 OF 2 REV A2
4 PLC ±0.13			
ANGLES ±0.13			
FINISH SEE TABLE			

REVISIONS				
P.	LTN	DESCRIPTION	DATE	OWN APVD
-		SEE SHEET 1	-	-



	H	5.5	8-2007810-3	OBSOLETE
	H	4.9	8-2007810-2	
	H	4.5	8-2007810-1	
	G	5.5	7-2007810-3	
	G	4.9	7-2007810-2	
	G	4.5	7-2007810-1	
	F	5.5	6-2007810-3	
	F	4.9	6-2007810-2	
	F	4.5	6-2007810-1	
	E	5.5	5-2007810-3	
	E	4.9	5-2007810-2	
	E	4.5	5-2007810-1	
	D	5.5	4-2007810-3	
	D	4.9	4-2007810-2	
	D	4.5	4-2007810-1	
	C	5.5	3-2007810-3	
	C	4.9	3-2007810-2	
	C	4.5	3-2007810-1	
	B	5.5	2-2007810-3	
	B	4.9	2-2007810-2	
	B	4.5	2-2007810-1	
	A	5.5	1-2007810-3	
	A	4.9	1-2007810-2	
	A	4.5	1-2007810-1	
	-	5.5	2007810-3	
	-	4.9	2007810-2	
	-	4.5	2007810-1	
FINISH	KEY POSITION	DIM M	PART NUMBER	

OBSOLETE

OBSOLETE

REFER TO WWW.TE.COM
FOR PRODUCT AVAILABILITY

THIS DRAWING IS A CONTROLLED DOCUMENT.		OWN J. K. SHOBER 03JAN2011	TE Connectivity
DIMENSIONS: mm		CHK J. EARY 03JAN2011	
TOLERANCES UNLESS OTHERWISE SPECIFIED:		APVD J. EARY 03JAN2011	NAME IMPACT, 4 PAIR, 10 COLUMN, HEADER LEFT GUIDED, RIGHT END WALL SIGNAL MODULE, 0.46 PTH
0 PLC ±0.25		PRODUCT SPEC	
1 PLC ±0.13		APPLICATION SPEC	SIZE CAGE CODE DRAWING NO RESTRICTED TO
2 PLC ±		WEIGHT	A100779C=2007810
3 PLC ±		CUSTOMER DRAWING	SCALE 5:1 SHEET 2 OF 2 REV A2
4 PLC ±			
ANGLES FINISH			
MATERIAL - SEE TABLE			