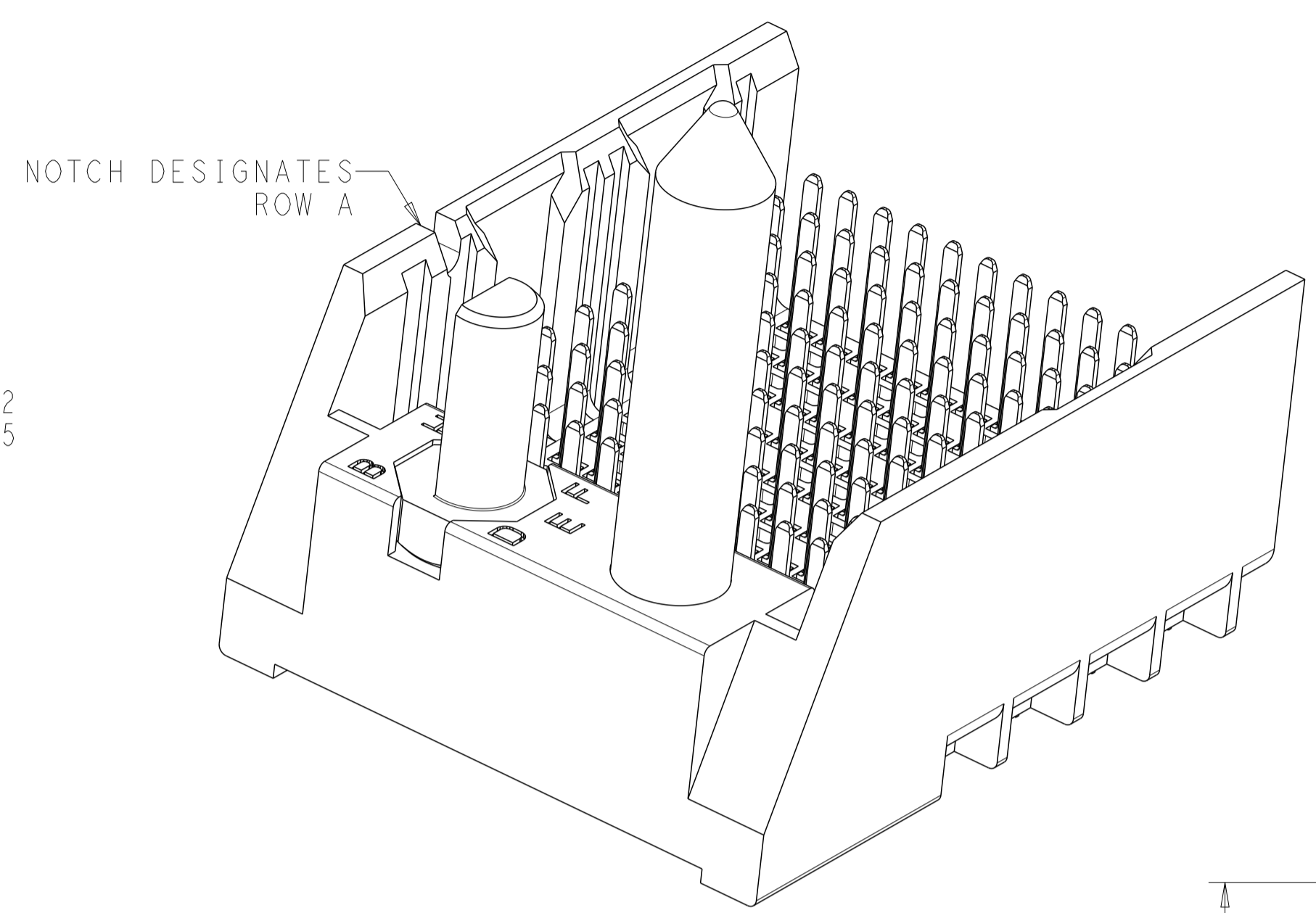
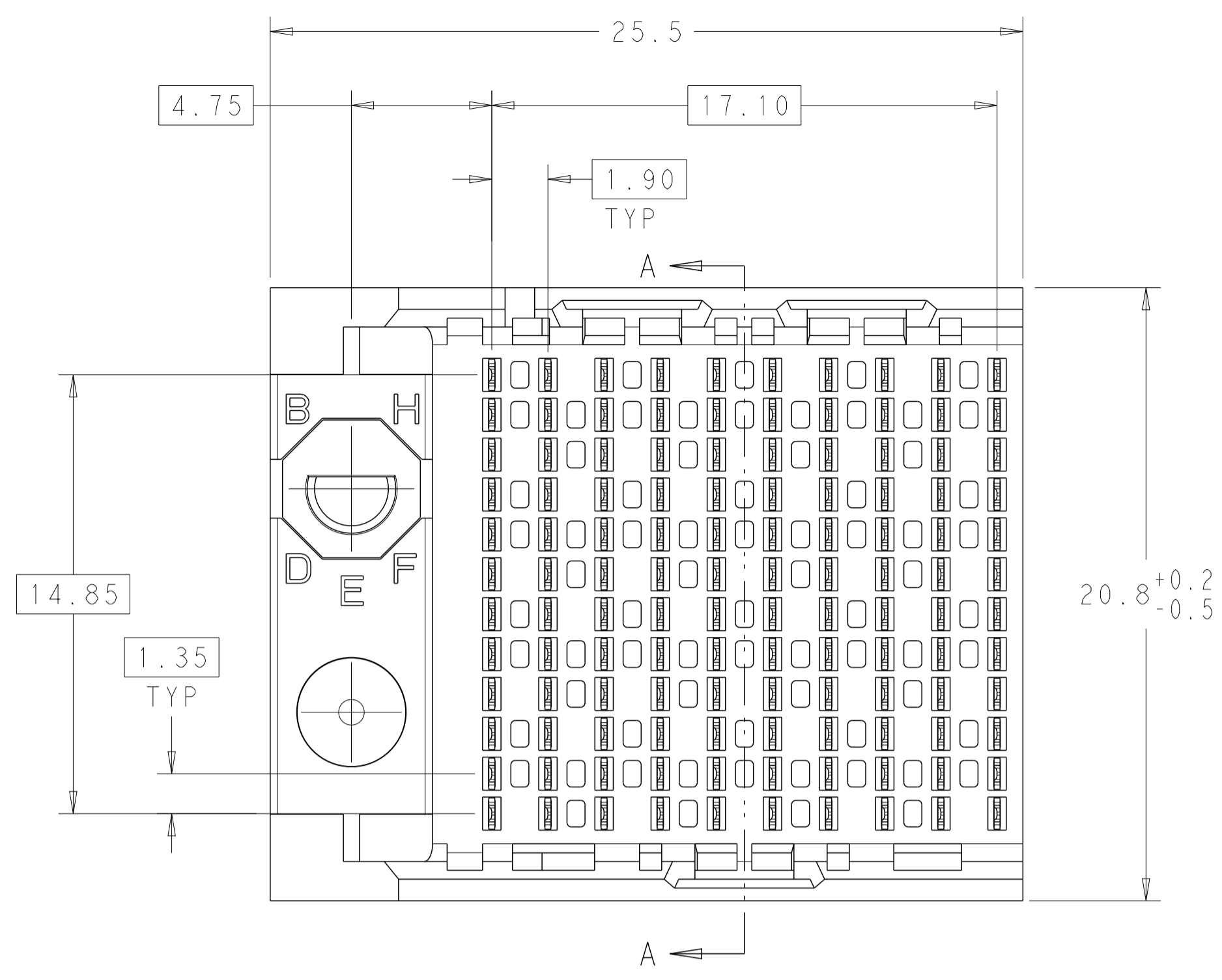
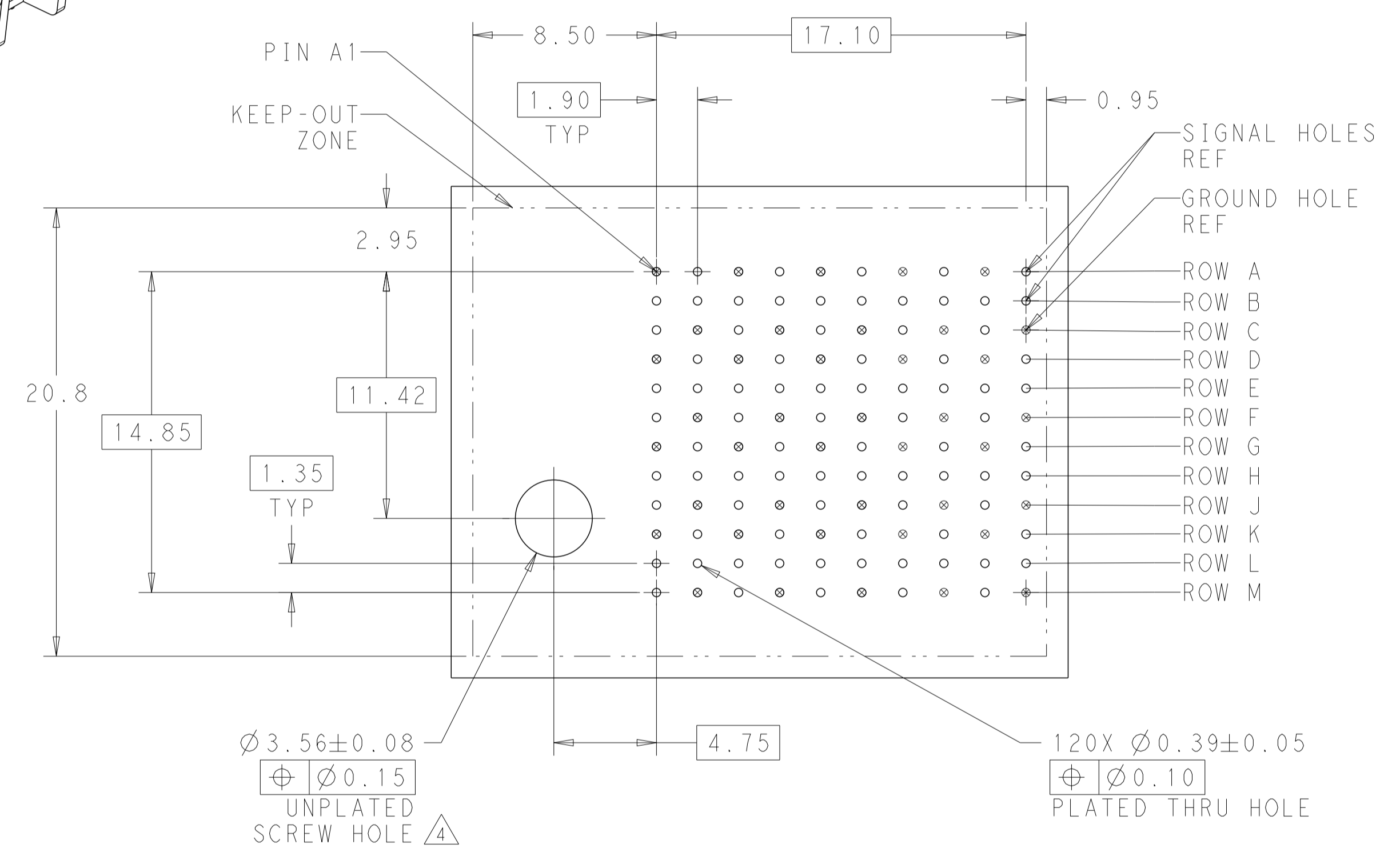


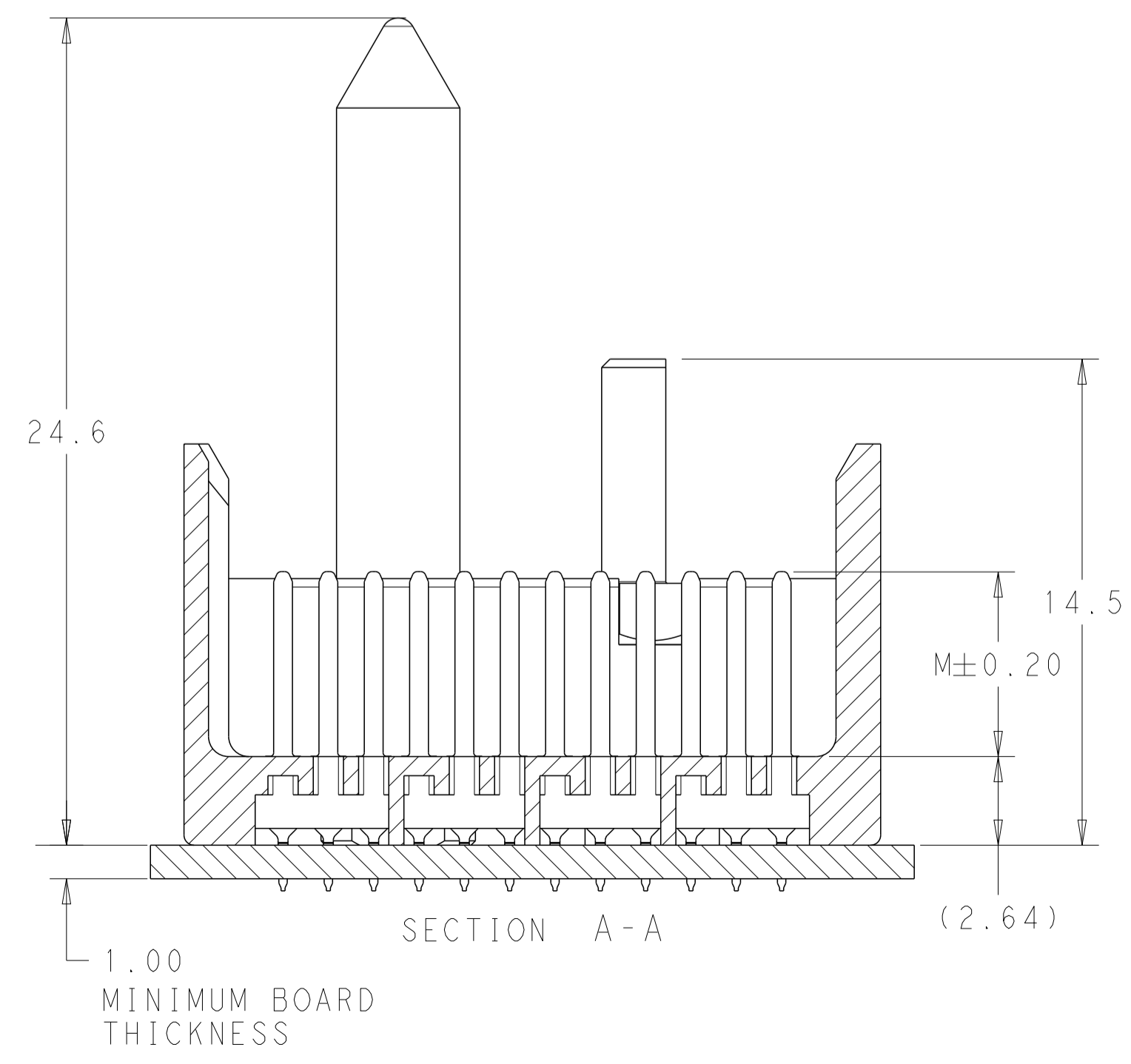
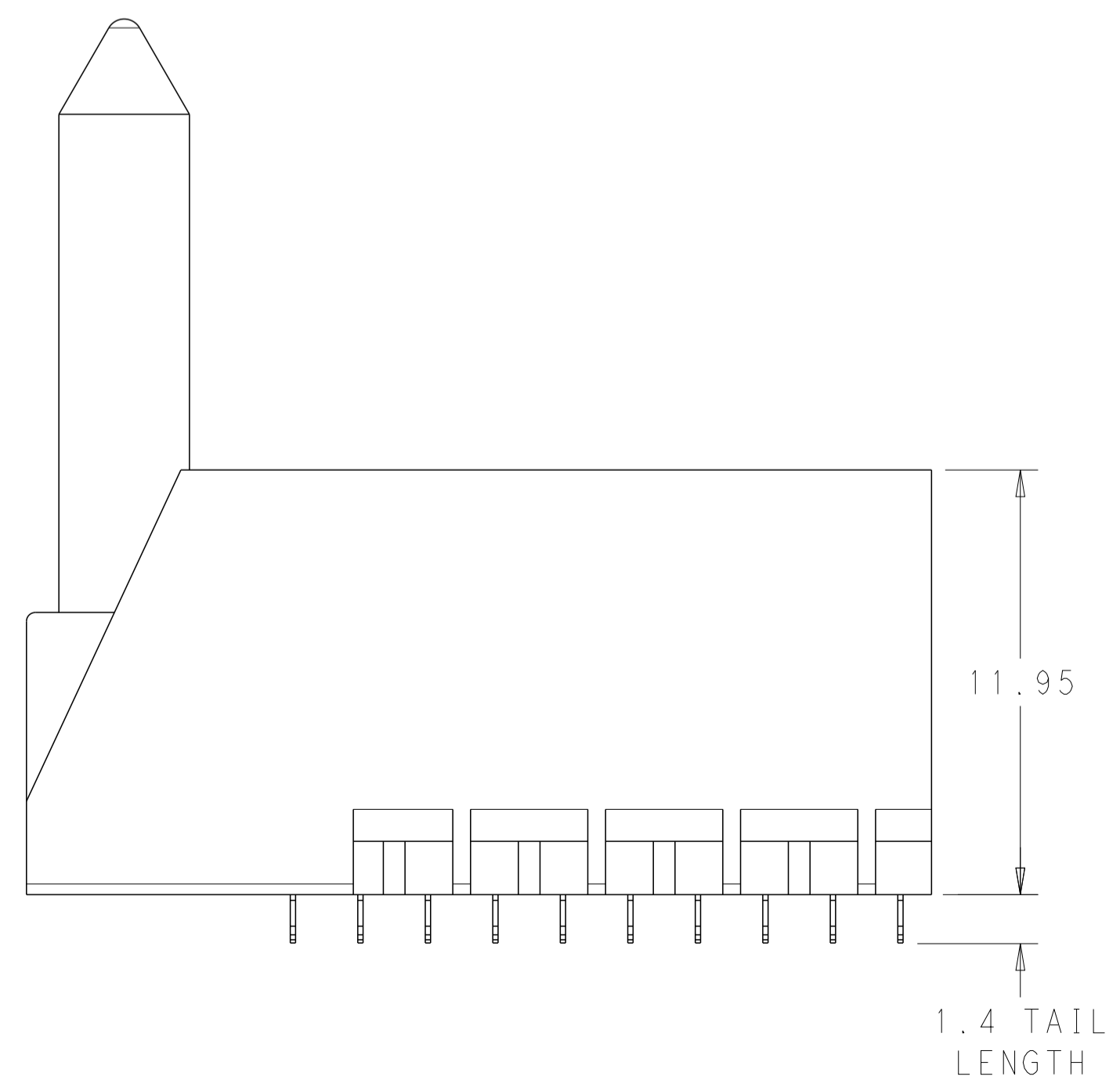
LOC		DIST		REVISIONS			
P	LTN	DESCRIPTION	DATE	DWN	APVD		
B1		REVISED PER ECO-15-001494	03FEB2015	AP	DD		
B2		REVISED PER ECN-24-252171	21FEB2024	AP	RS		



- 1 MATERIAL:
HOUSING: LCP, GLASS FILLED, UL94V-0.
TERMINALS: HIGH PERFORMANCE COPPER ALLOY.
- 2 FINISH:
30μ" MIN GOLD IN CONTACT AREA. SELECTIVE TIN ON PCB TAILS, NICKEL OVERALL.
- 3. SCREWS PACKAGED IN END OF PACKAGING TUBE.
- 4 FOR GROUNDED GUIDE PIN USE $\varnothing 3.56 \pm 0.08$ PTH, $\varnothing 3.66$ DRILL, AND $\varnothing 6.5$ PAD.
- 5. KEYING PIN SHOWN IN POSITION A, SEE KEYING CHART ON SHEET 2 FOR OTHER POSITIONS.



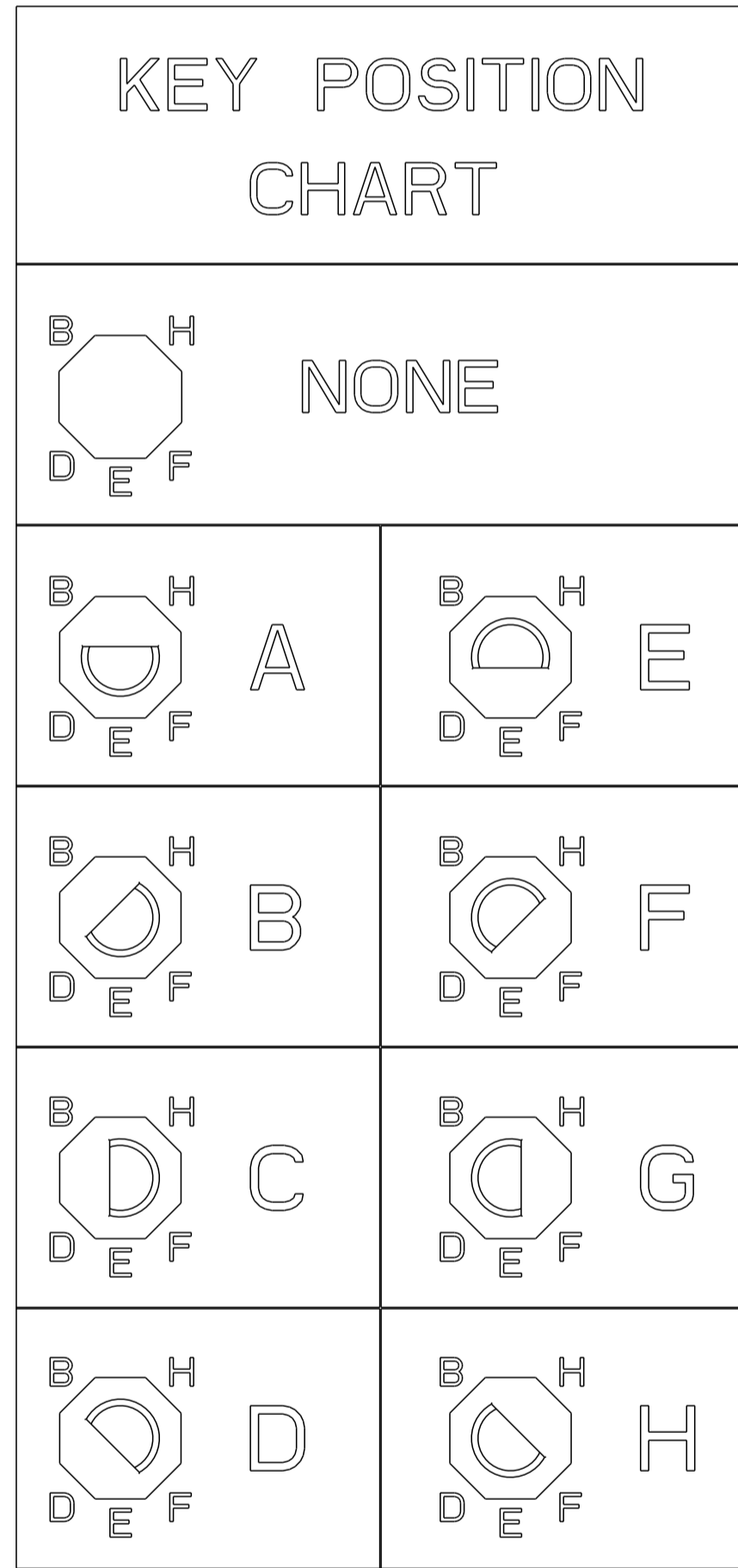
LEFT GUIDED BACKPLANE HOLE PATTERN (CONNECTOR SIDE)



THIS DRAWING IS A CONTROLLED DOCUMENT.		DWN	J. K. SHOBER	26DEC11	TE Connectivity NAME IMPACT, 4 PAIR, 10 COLUMN, HEADER LEFT GUIDED, OPEN END WALL SIGNAL MODULE, 0.39 PTH SIZE CAGE CODE DRAWING NO A100779C=2007809 RESTRICTED TO
DIMENSIONS:		CHK	J. EARY	26DEC11	
mm		APVD	J. EARY	26DEC11	
0 PLC ± 1 PLC ±0.25 2 PLC ±0.13 3 PLC ± 4 PLC ± ANGLES ± FINISH SEE TABLE		PRODUCT SPEC			
MATERIAL		APPLICATION SPEC			WEIGHT
4805 (3/11)		CUSTOMER DRAWING	SCALE	6:1	SHEET
					1
					2
					REV
					B2

THIS DRAWING IS UNPUBLISHED. RELEASED FOR PUBLICATION 20
 © COPYRIGHT 20 . ALL RIGHTS RESERVED.

LOC	DIST	REVISIONS					
		P	LTN	DESCRIPTION	DATE	DMN	APVD
AD	00	-	-	SEE SHEET 1	-	-	-



	H	5.5	8-2007809-3	OBSOLETE
	H	4.9	8-2007809-2	
	H	4.5	8-2007809-1	
	G	5.5	7-2007809-3	
	G	4.9	7-2007809-2	
	G	4.5	7-2007809-1	
	F	5.5	6-2007809-3	
	F	4.9	6-2007809-2	
	F	4.5	6-2007809-1	
	E	5.5	5-2007809-3	
	E	4.9	5-2007809-2	
	E	4.5	5-2007809-1	
	D	5.5	4-2007809-3	
	D	4.9	4-2007809-2	
	D	4.5	4-2007809-1	
	C	5.5	3-2007809-3	
	C	4.9	3-2007809-2	
	C	4.5	3-2007809-1	
	B	5.5	2-2007809-3	
	B	4.9	2-2007809-2	
	B	4.5	2-2007809-1	
	A	5.5	1-2007809-3	
	A	4.9	1-2007809-2	
	A	4.5	1-2007809-1	
	-	5.5	2007809-3	
	-	4.9	2007809-2	
	-	4.5	2007809-1	
FINISH	KEY POSITION	DIM M	PART NUMBER	

REFER TO WWW.TE.COM
FOR PRODUCT AVAILABILITY

THIS DRAWING IS A CONTROLLED DOCUMENT.		DMN J.K.SHOBER 26DECT1 CHK J. EARY 26DECT1 APVD J. EARY 26DECT1	TE Connectivity
DIMENSIONS: mm	TOLERANCES UNLESS OTHERWISE SPECIFIED: 0 PLC ±.25 1 PLC ±0.13 2 PLC ±.13 3 PLC ±.13 4 PLC ±.13 ANGLES ±.13 FINISH SEE TABLE	NAME IMPACT, 4 PAIR, 10 COLUMN, HEADER LEFT GUIDED, OPEN END WALL SIGNAL MODULE, 0.39 PTH	
MATERIAL	WEIGHT	SIZE CAGE CODE DRAWING NO A100779C=2007809	RESTRICTED TO
CUSTOMER DRAWING		SCALE 5:1	SHEET 2 OF 2 REV B2