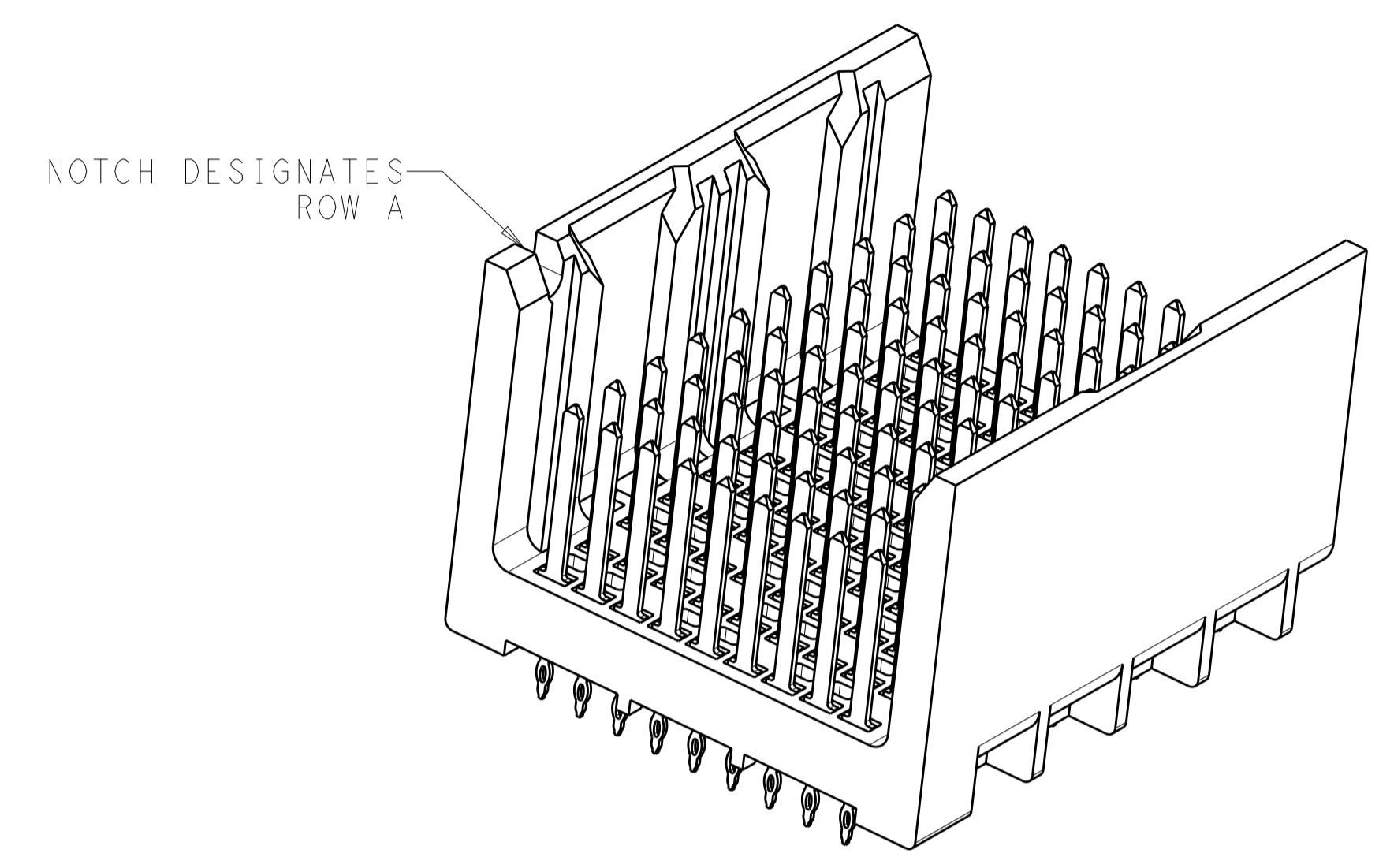
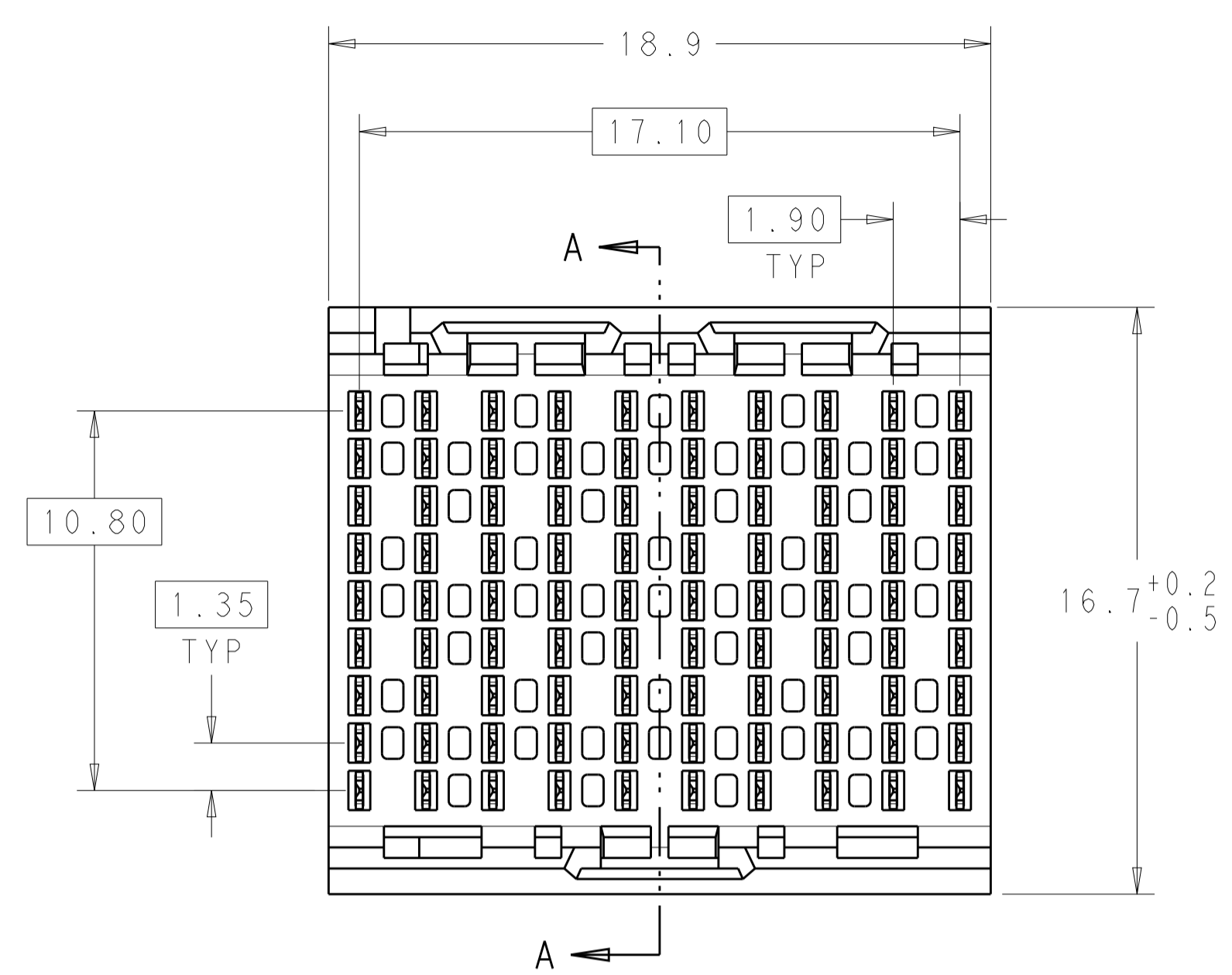
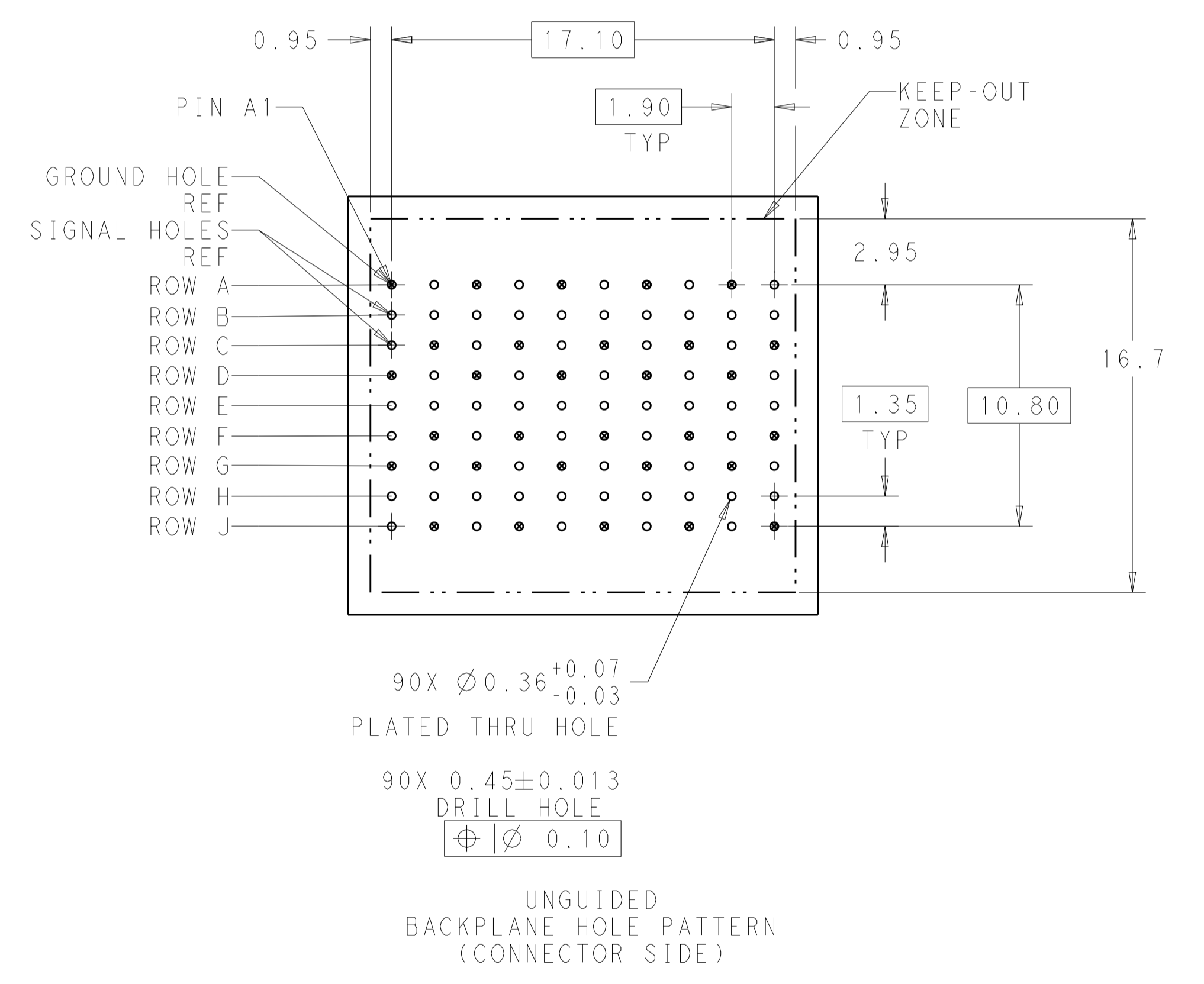
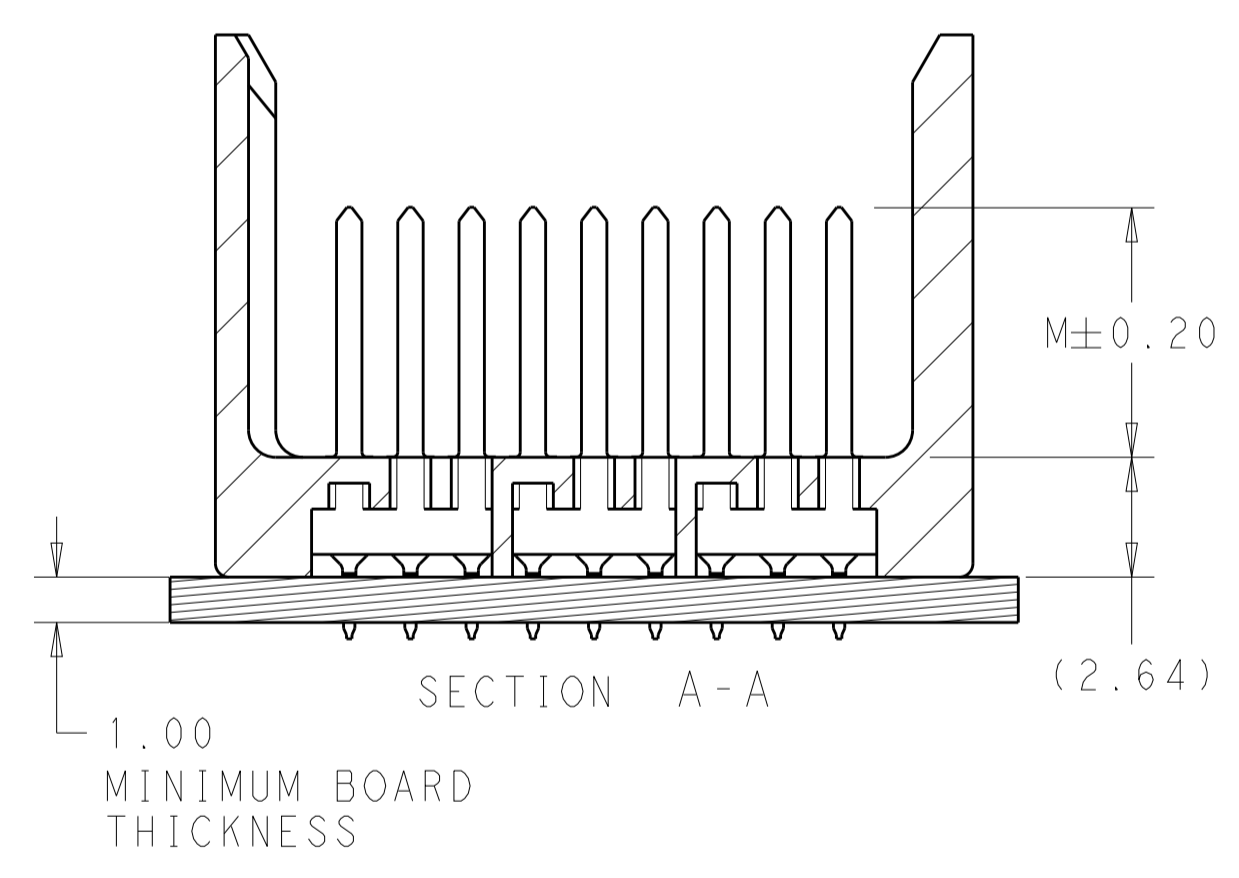
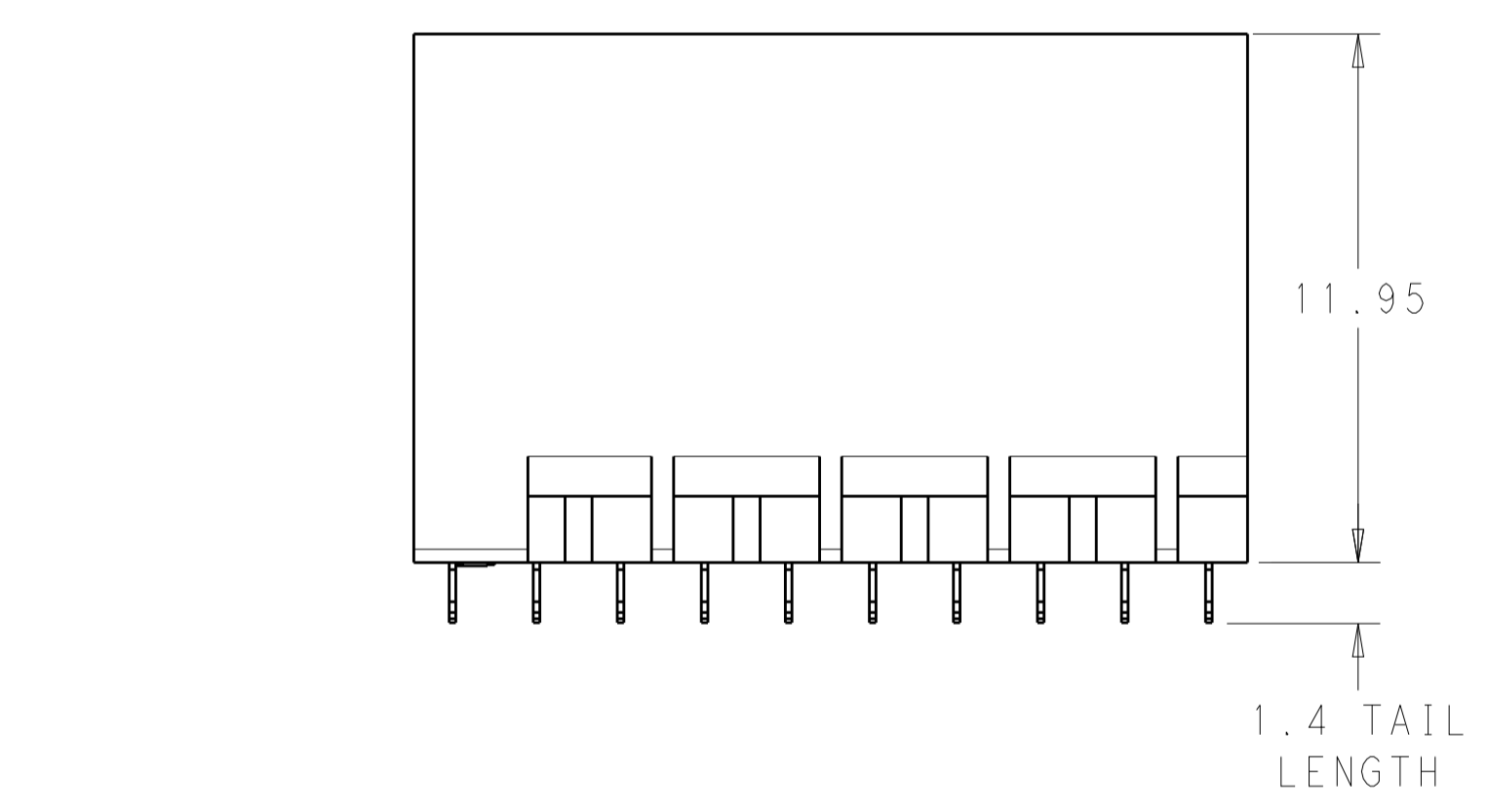


LOC	DIST	REVISIONS			
P	LTN	DESCRIPTION	DATE	DMN	APVD
E1		REVISED PER ECO-17-008265	19MAY2017	A. S.	S. Y.



⚠ MATERIAL:  
HOUSING: LCP, GLASS FILLED, UL94V-0.  
TERMINALS: HIGH PERFORMANCE COPPER ALLOY.

⚠ FINISH:  
30μ" MIN GOLD IN CONTACT AREA. SELECTIVE TIN  
ON PCB TAILS, NICKEL OVERALL.



⚠	5.5	2007788-6
⚠	4.9	2007788-5
⚠	4.5	2007788-4
⚠	5.5	2007788-3
⚠	4.9	2007788-2
⚠	4.5	2007788-1
FINISH	DIM M	PART NUMBER

REFER TO WWW.TE.COM  
FOR PRODUCT AVAILABILITY

THIS DRAWING IS A CONTROLLED DOCUMENT.		DMN J. K. SHOBER 23DECT11	<b>STE</b> TE Connectivity												
DIMENSIONS: mm		CHK J. EARY 23DECT11													
TOLERANCES UNLESS OTHERWISE SPECIFIED:		APVD J. EARY 23DECT11	NAME IMPACT, 3 PAIR, 10 COLUMN, HEADER UNGUIDED, OPEN END WALL SIGNAL MODULE, 0.36 PTH												
<table border="1"> <tr> <td>0 PLC</td> <td>±</td> </tr> <tr> <td>1 PLC</td> <td>±0.25</td> </tr> <tr> <td>2 PLC</td> <td>±0.13</td> </tr> <tr> <td>3 PLC</td> <td>±</td> </tr> <tr> <td>4 PLC</td> <td>±</td> </tr> <tr> <td>ANGLES</td> <td>±</td> </tr> </table>		0 PLC	±	1 PLC	±0.25	2 PLC	±0.13	3 PLC	±	4 PLC	±	ANGLES	±	PRODUCT SPEC	SIZE A100779C=2007788
0 PLC	±														
1 PLC	±0.25														
2 PLC	±0.13														
3 PLC	±														
4 PLC	±														
ANGLES	±														
MATERIAL SEE TABLE		APPLICATION SPEC	RESTRICTED TO												
FINISH SEE TABLE		WEIGHT	SCALE 6:1 SHEET 1 OF 1 REV E1												
CUSTOMER DRAWING															