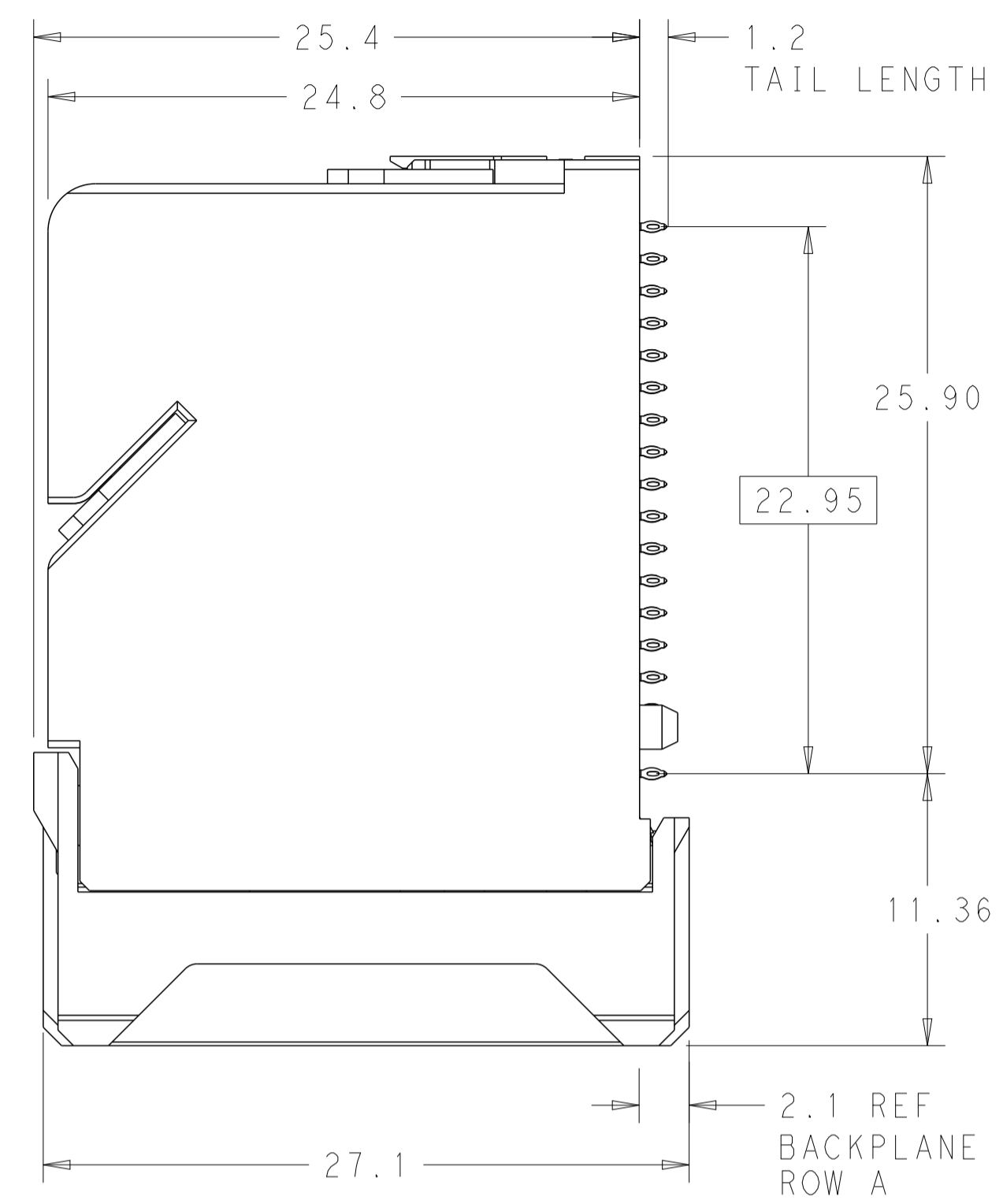
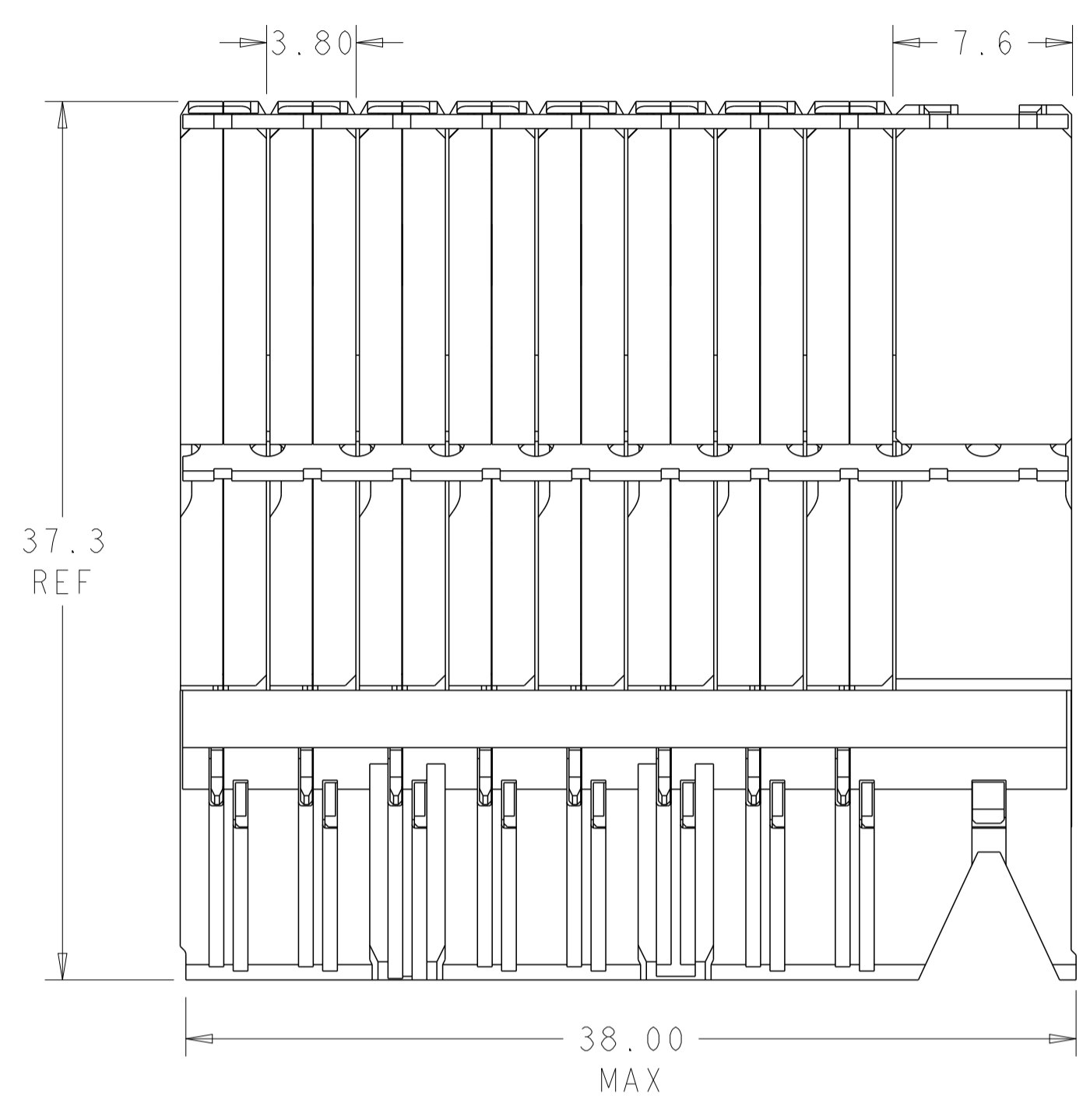


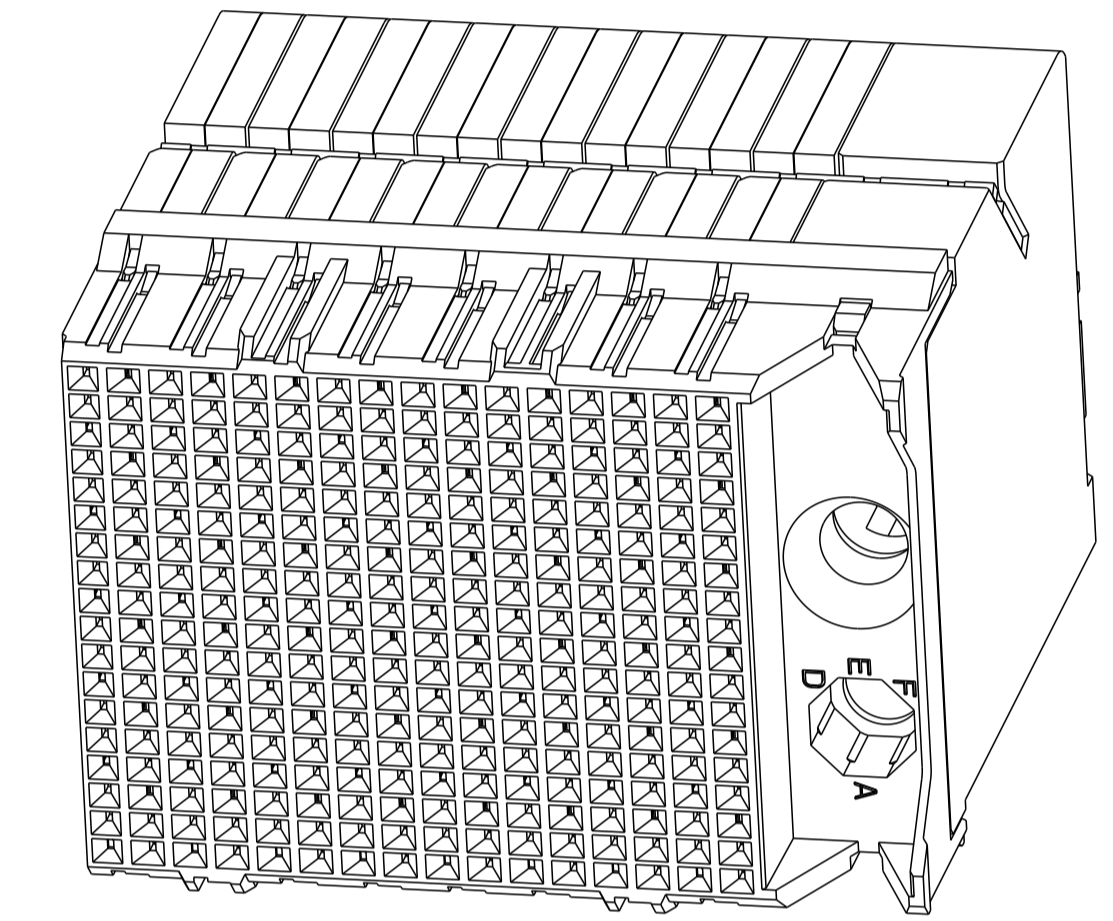
REVISIONS				
P.	LTN	DESCRIPTION	DATE	APVD
E		REVISED PER ECO-15-012351	03SEP2015	AP SY
E1		REVISED PER ECN-24-252171	08MAR2024	AP RS



⚠ MATERIAL:
 HOUSING: LCP, GLASS FILLED, UL94V-0.
 TERMINALS: HIGH PERFORMANCE COPPER ALLOY.

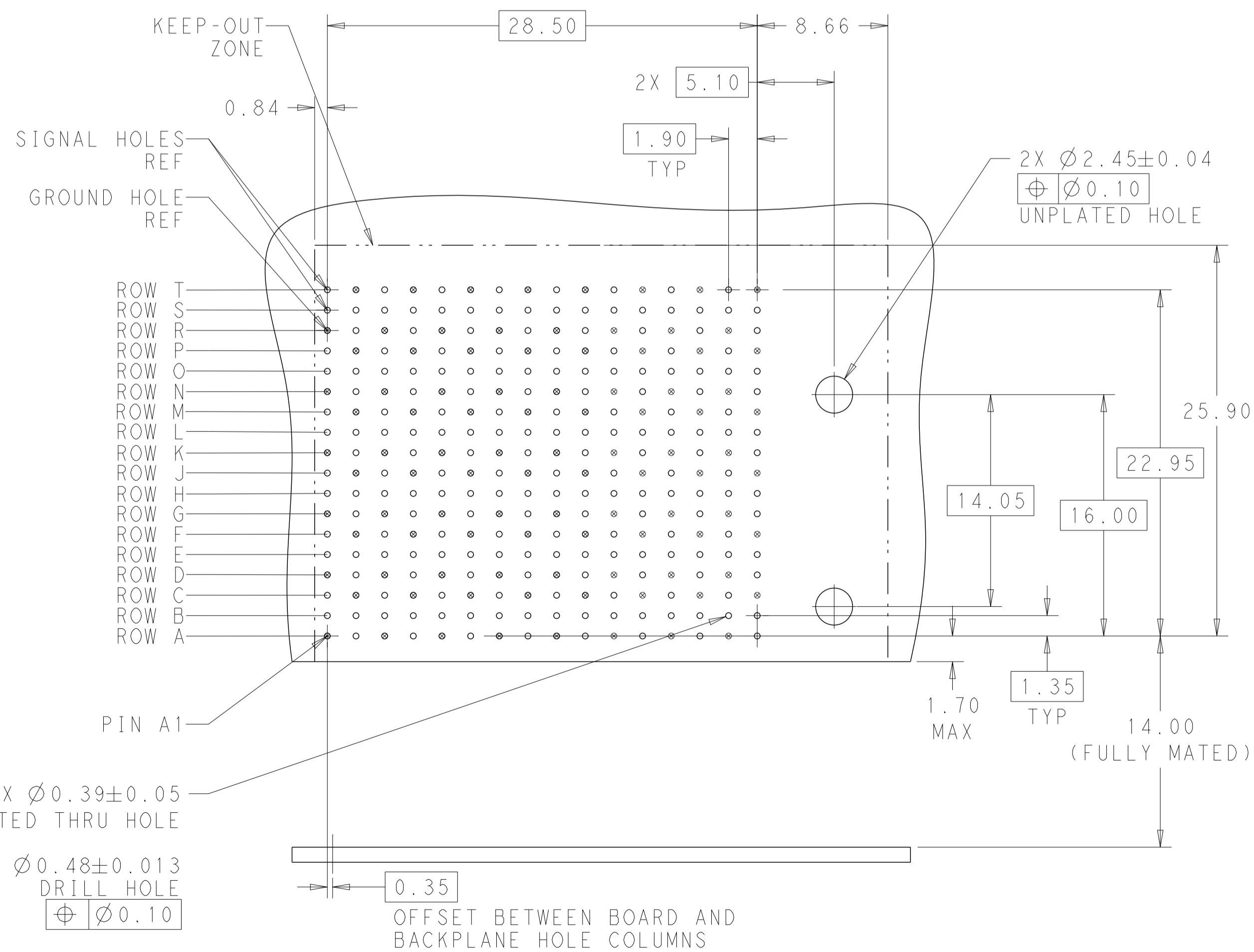
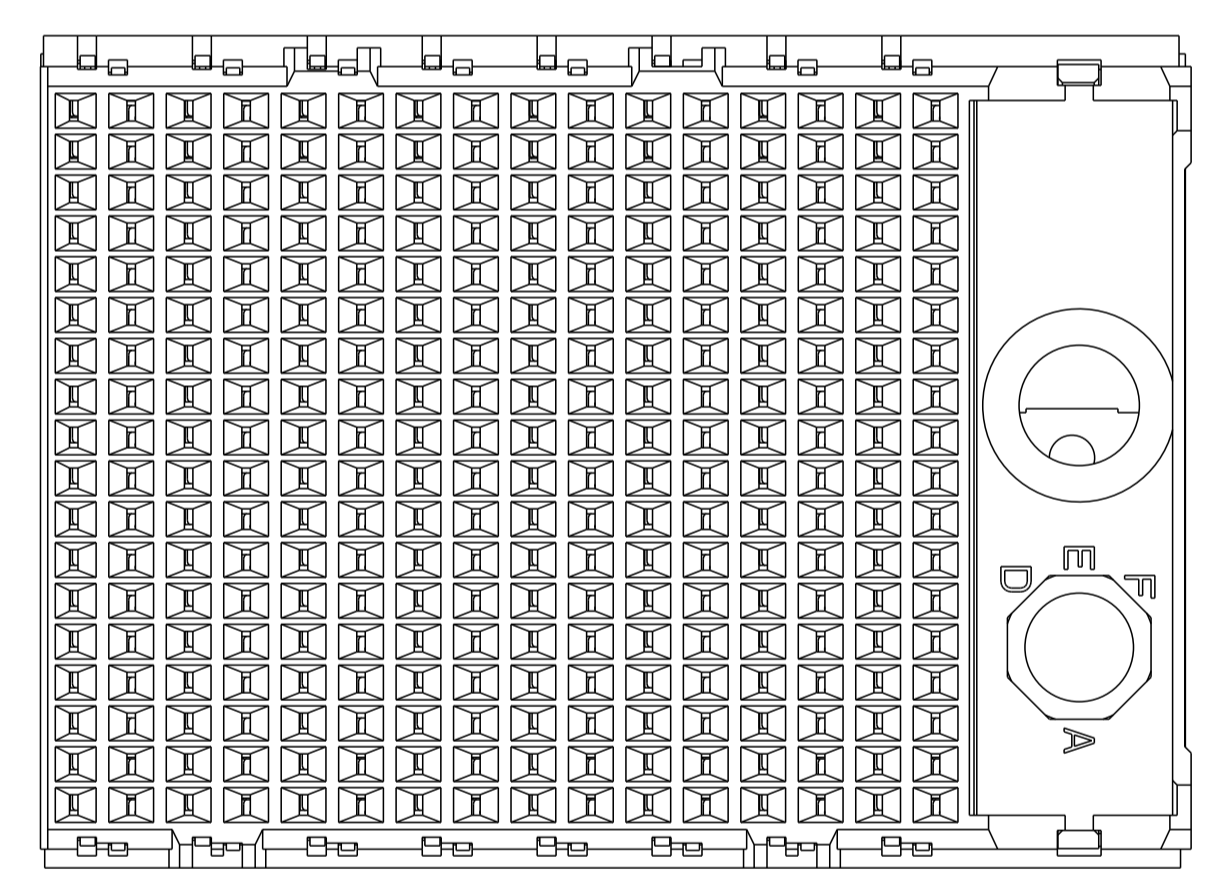
⚠ FINISH:
 30μ" SELECTIVE GOLD IN CONTACT AREA. SELECTIVE TIN ON PCB TAILS, NICKEL OVERALL.

3. CONNECTORS SUPPLIED WITH MOUNTING SCREWS.



SCALE 3:1

REFER TO WWW.TE.COM FOR PRODUCT AVAILABILITY



KEY POSITION CHART	
	NONE
	A
	B
	C
	D
	E
	F
	G
	H

OBSOLETE	H	⚠	8-2007746-1
	G	⚠	7-2007746-1
	F	⚠	6-2007746-1
	E	⚠	5-2007746-1
	D	⚠	4-2007746-1
	C	⚠	3-2007746-1
	B	⚠	2-2007746-1
	A	⚠	1-2007746-1
	NONE	⚠	2007746-1
	KEY POSITION	FINISH	PART NUMBER

THIS DRAWING IS A CONTROLLED DOCUMENT.

OWN: J. K. SHOBER 07MAR2011
 CHK: D. DIXON 07MAR2011
 APVD: D. DIXON 07MAR2011

TE Connectivity

IMPACT, 6 PAIR, DAUGHTERCARD 16 COLUMN, RIGHT GUIDED, SIGNAL MODULE, 0.39 EYELET

SIZE: A1 00779 C=2007746
 SCALE: 4:1 SHEET 1 OF 1 REV: E1