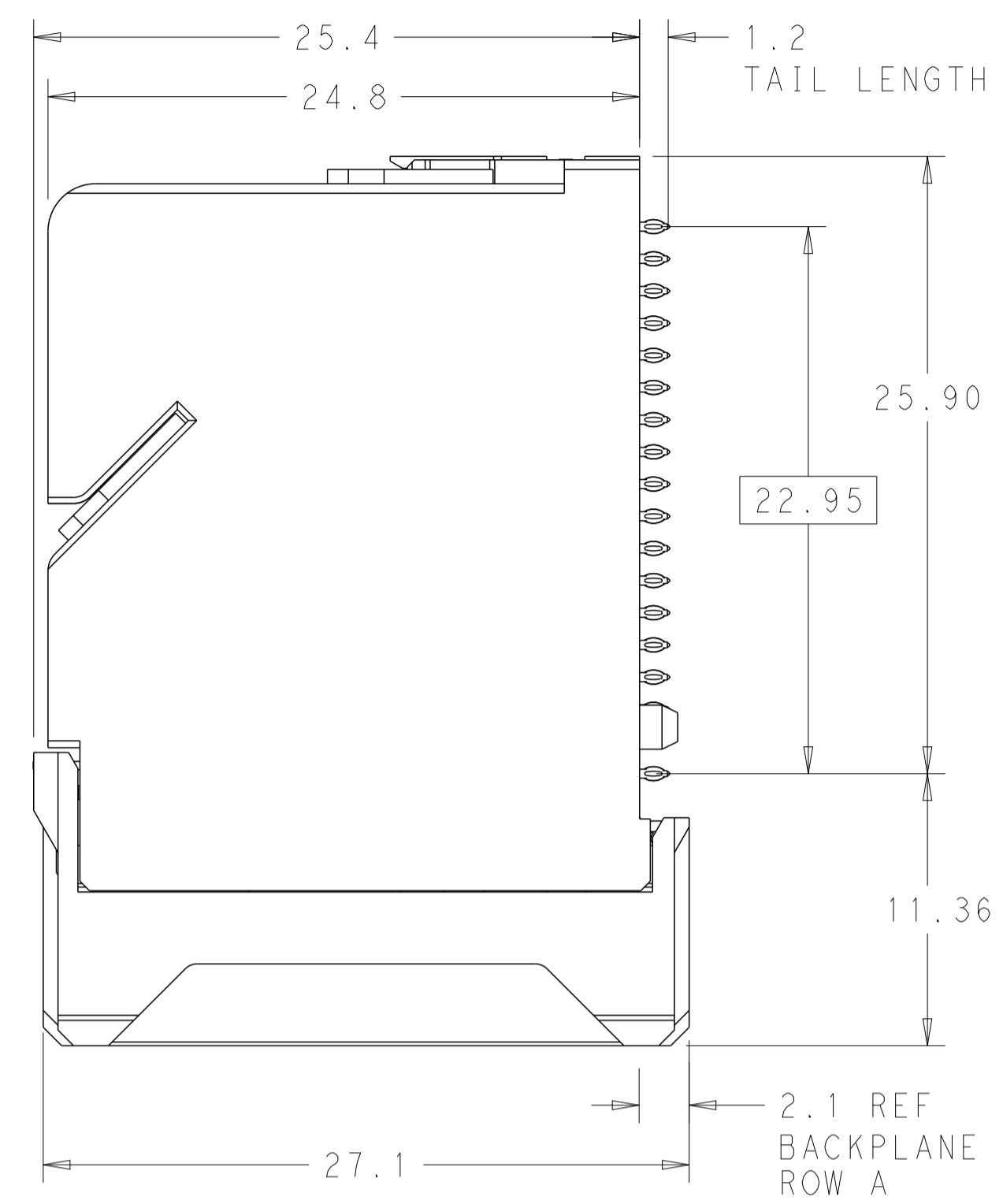
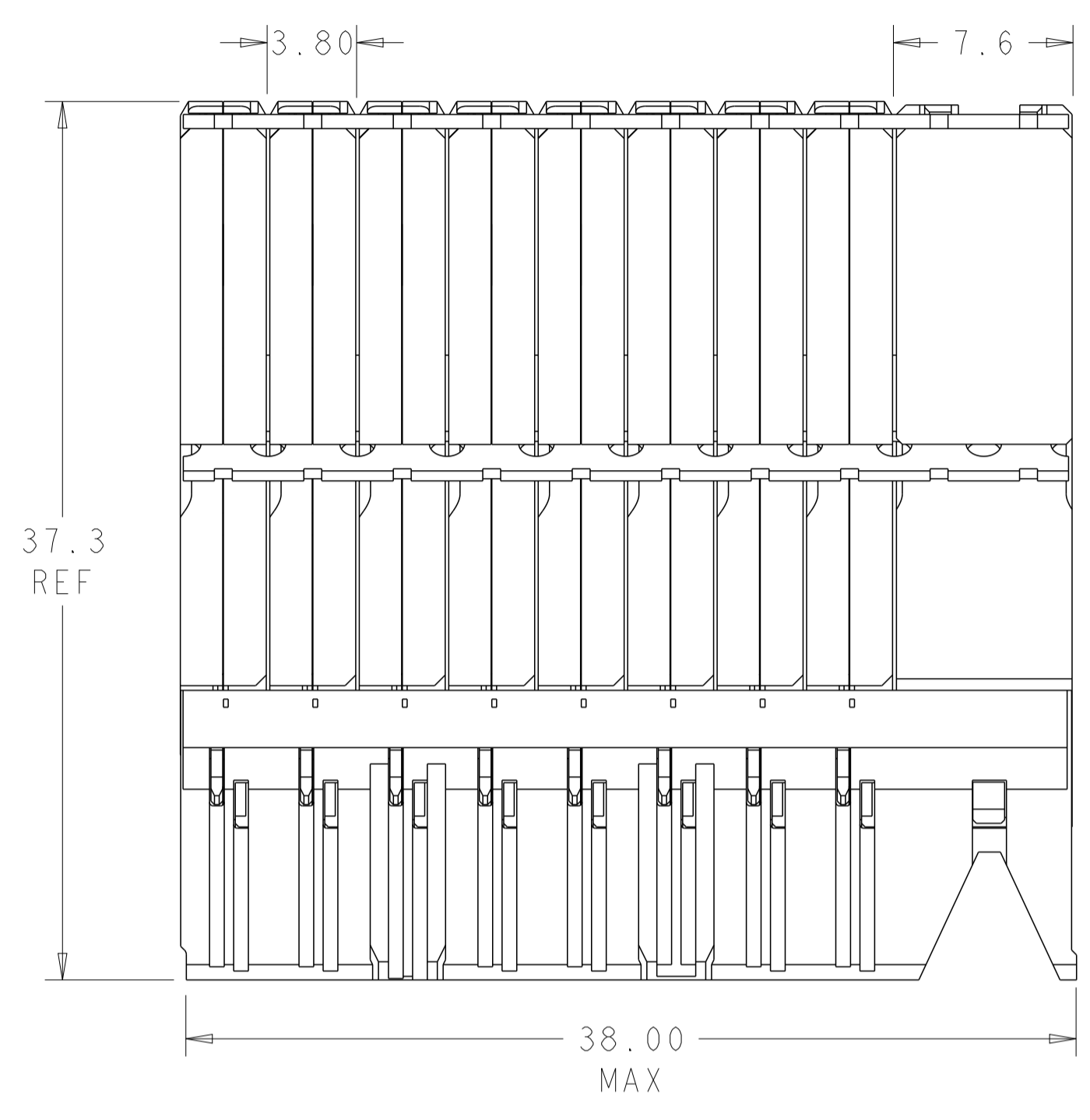
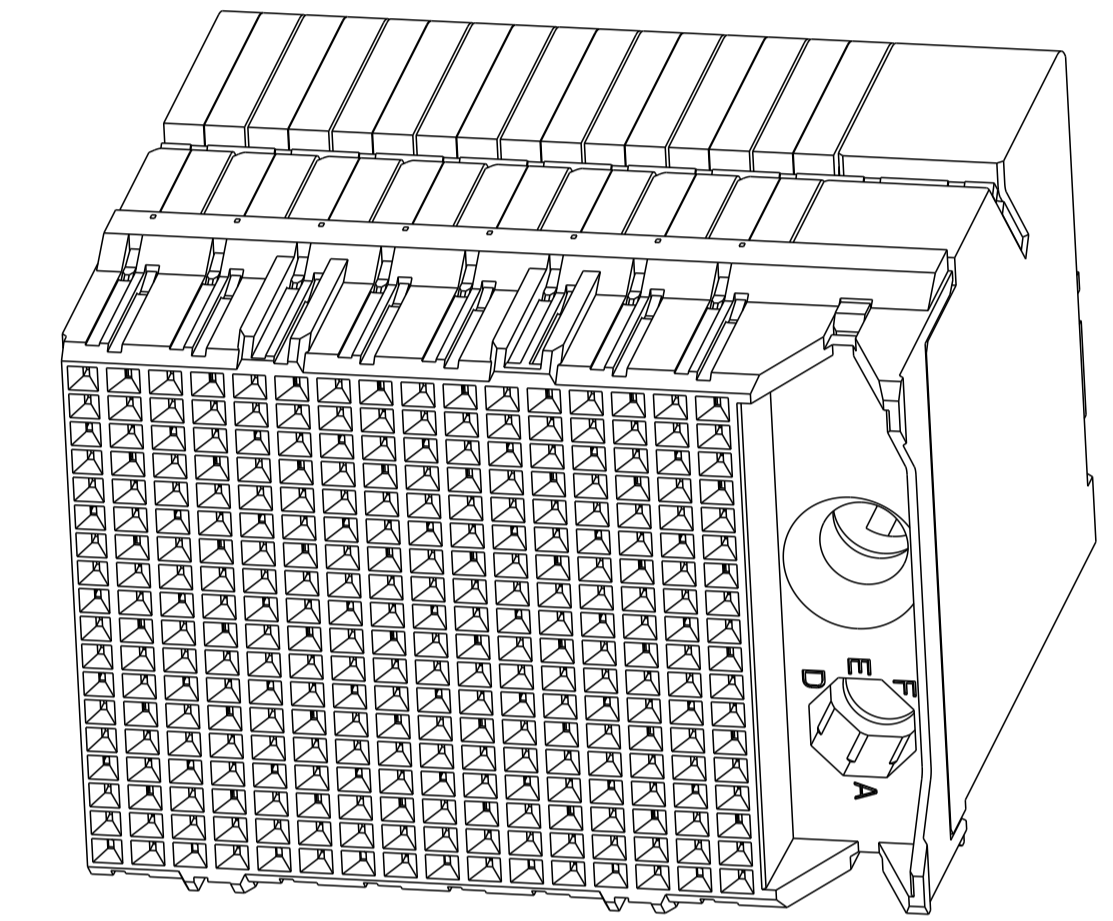


REVISIONS				
P.	LTN.	DESCRIPTION	DATE	OWN APVD
E		REVISED PER ECO-15-012351	03SEP2015	AP SY
E1		REVISED PER ECN-24-252171	26FEB2024	AP RS

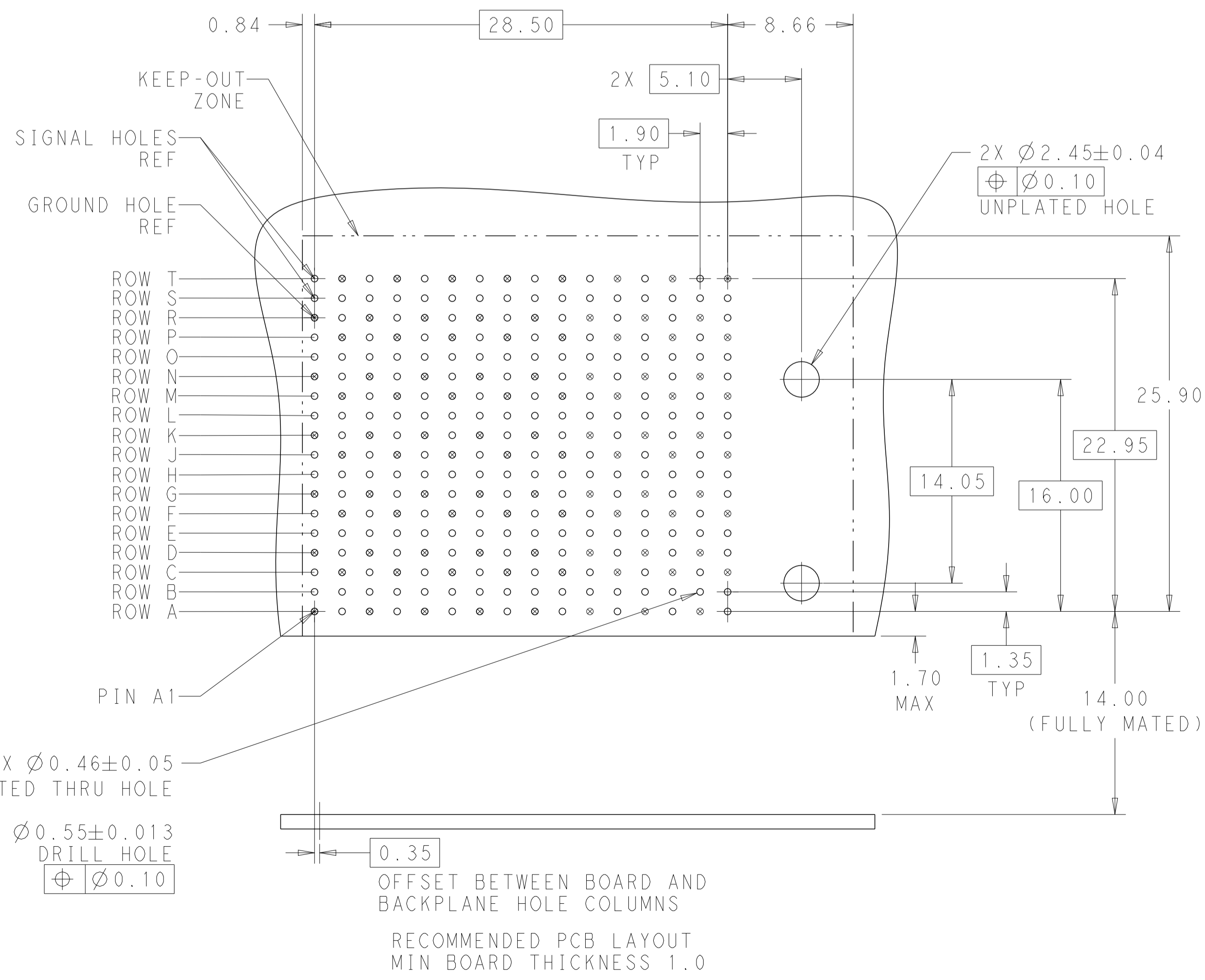
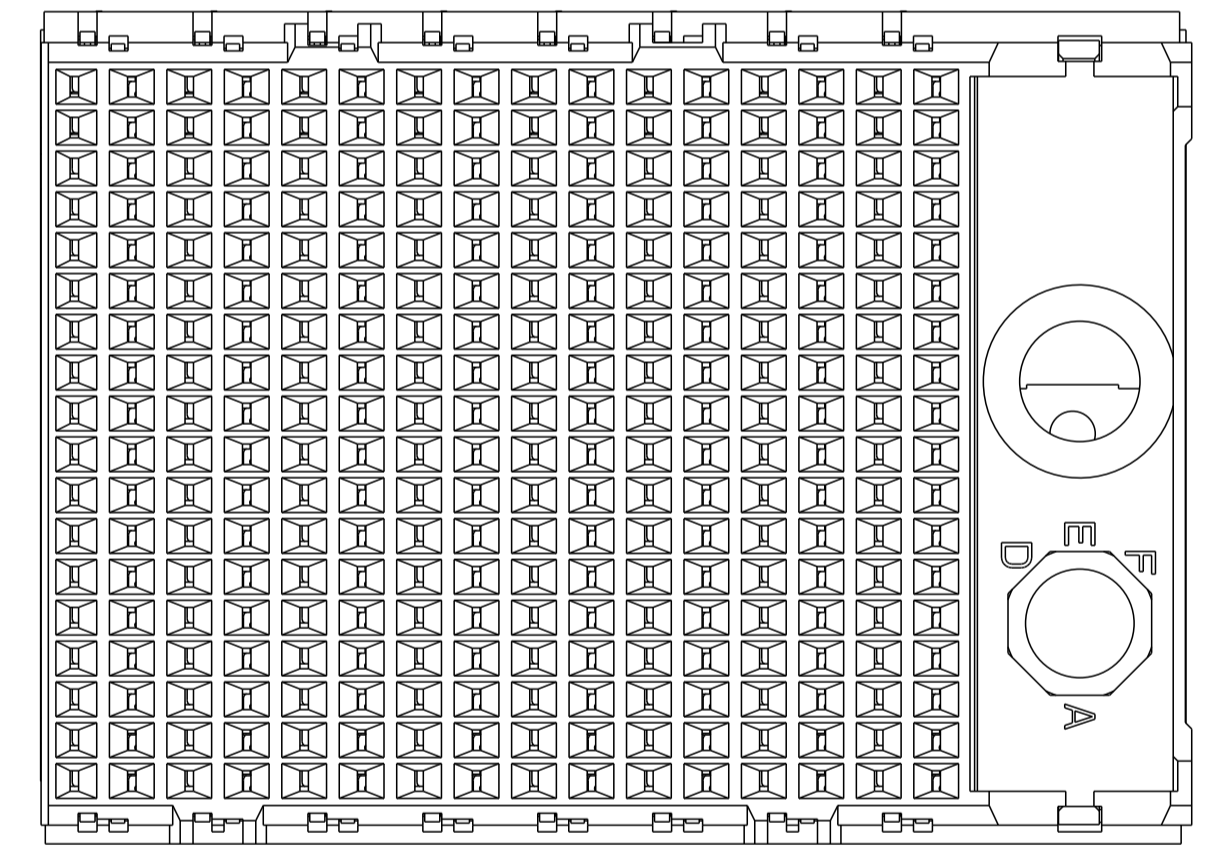


- ⚠ MATERIAL:
HOUSING: LCP, GLASS FILLED, UL94V-0.
TERMINALS: HIGH PERFORMANCE COPPER ALLOY.
- ⚠ FINISH:
30μ" SELECTIVE GOLD IN CONTACT AREA. SELECTIVE TIN ON PCB TAILS, NICKEL OVERALL.
- 3. CONNECTORS SUPPLIED WITH MOUNTING SCREWS.



SCALE 3:1

REFER TO WWW.TE.COM FOR PRODUCT AVAILABILITY



KEY POSITION CHART

NONE	
A	E
B	F
C	G
D	H

KEY POSITION	FINISH	PART NUMBER
H	⚠	8-2007743-1
G	⚠	7-2007743-1
F	⚠	6-2007743-1
E	⚠	5-2007743-1
D	⚠	4-2007743-1
C	⚠	3-2007743-1
B	⚠	2-2007743-1
A	⚠	1-2007743-1
NONE	⚠	2007743-1

THIS DRAWING IS A CONTROLLED DOCUMENT.

DIMENSIONS:	TOLERANCES UNLESS OTHERWISE SPECIFIED:	OWN J. K. SHOBER 04MAR2011	NAME
mm	0 PLC ±	CHK D. DIXON 04MAR2011	IMPACT, 6 PAIR, DAUGHTERCARD
	1 PLC ±0.2	APVD D. DIXON 04MAR2011	16 COLUMN, RIGHT GUIDED, SIGNAL
	2 PLC ±0.13		MODULE, 0.46 EYELET
	3 PLC ±		SIZE CAGE CODE DRAWING NO RESTRICTED TO
	4 PLC ±		A100779C=2007743
	ANGLES ±		SCALE 4:1 SHEET 1 OF 1 REV E1
MATERIAL	FINISH SEE TABLE	WEIGHT	CUSTOMER DRAWING