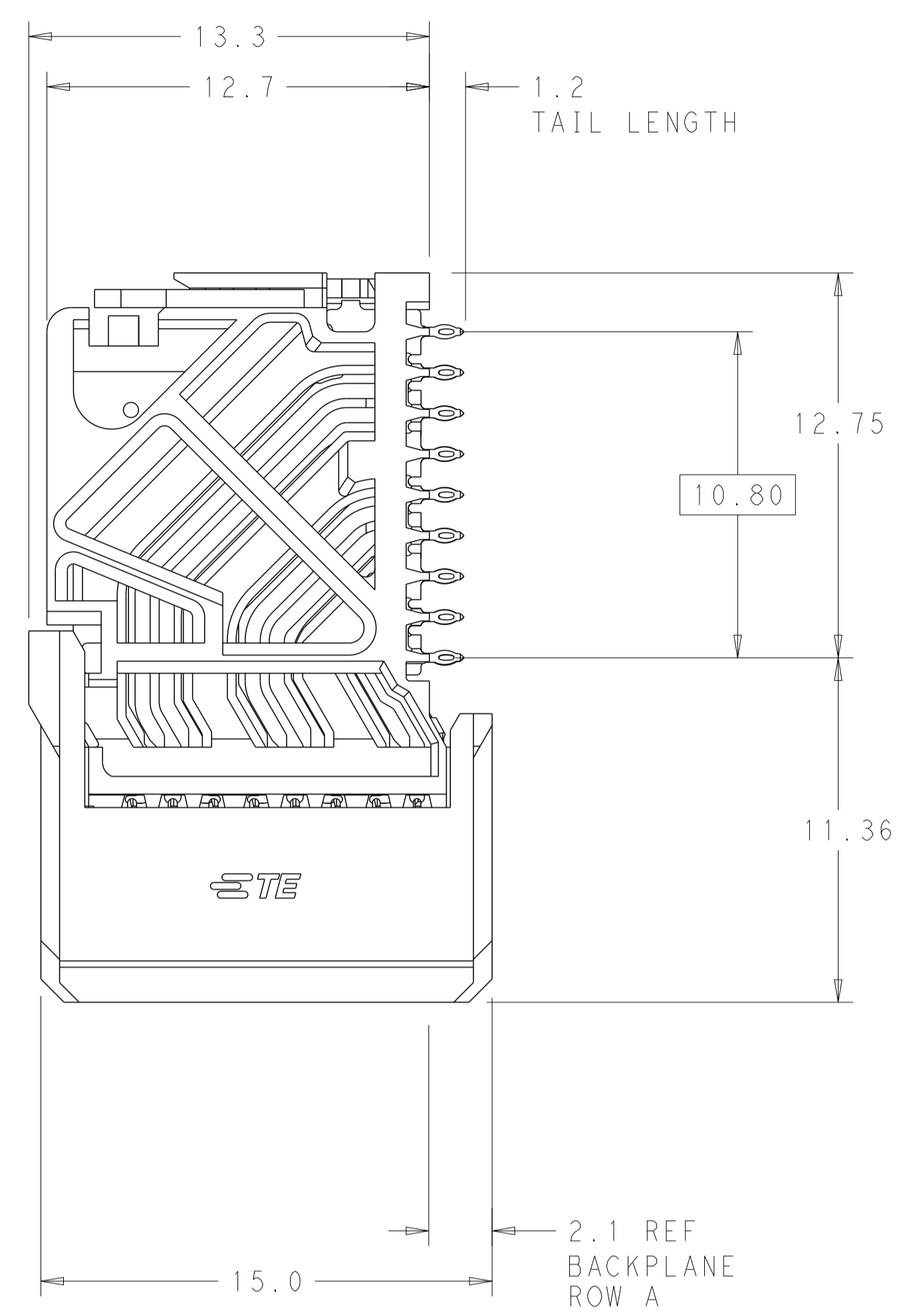
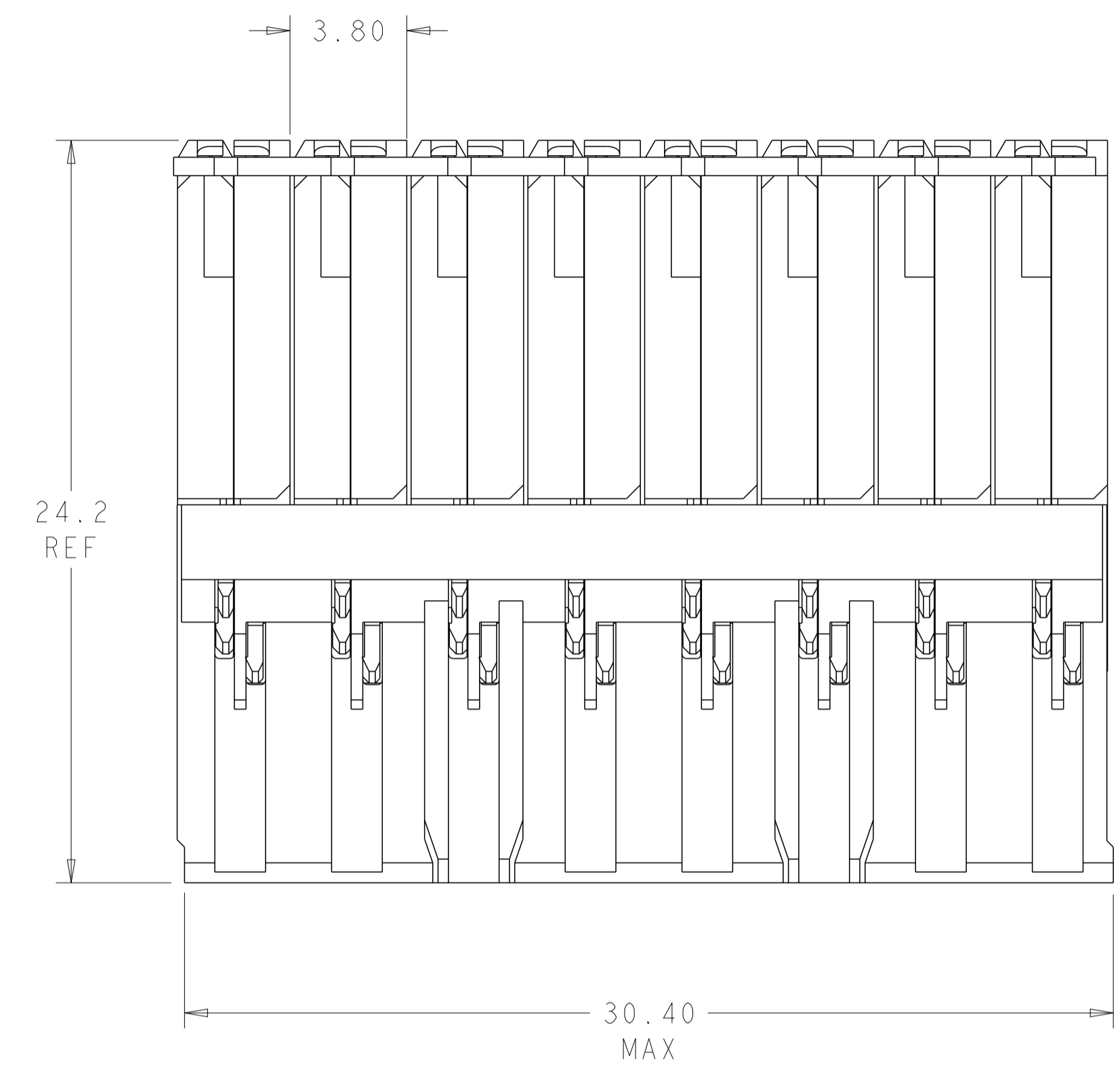
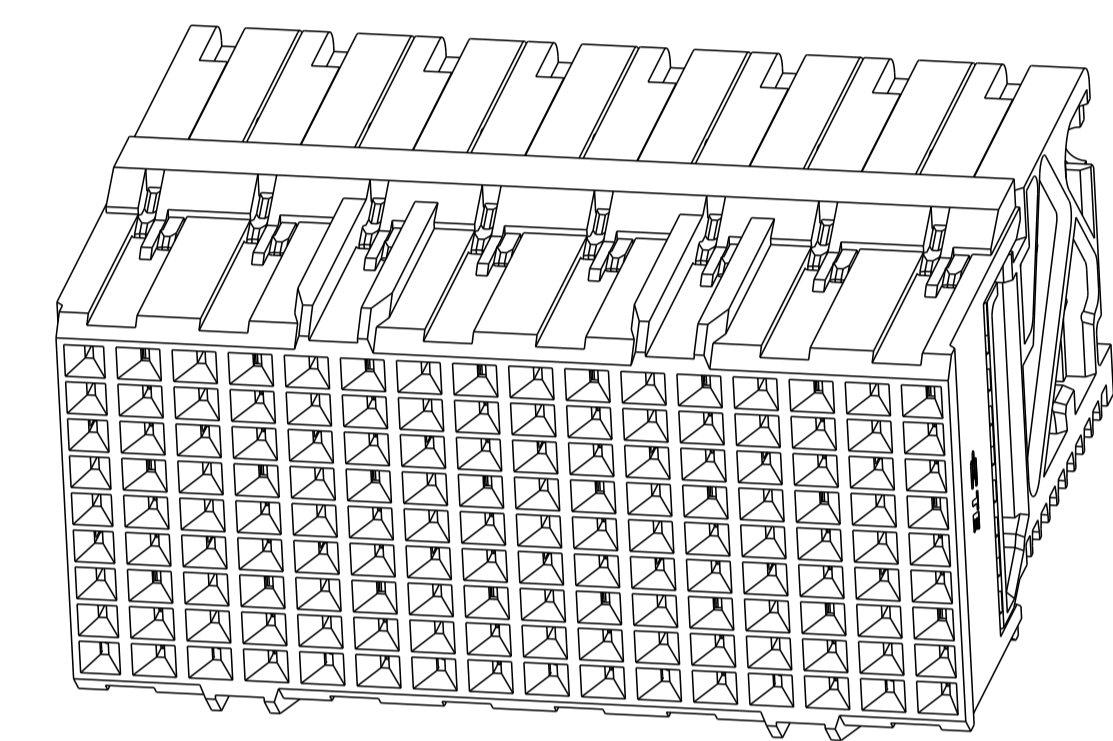


LOC	DIST	REVISIONS			
P	LTN	DESCRIPTION	DATE	DWN	APVD
E4		REVISED PER ECO-14-018035	11MAR2015	AP	DD
E5		REVISED PER ECN-24-252171	01MAR2024	AP	RS



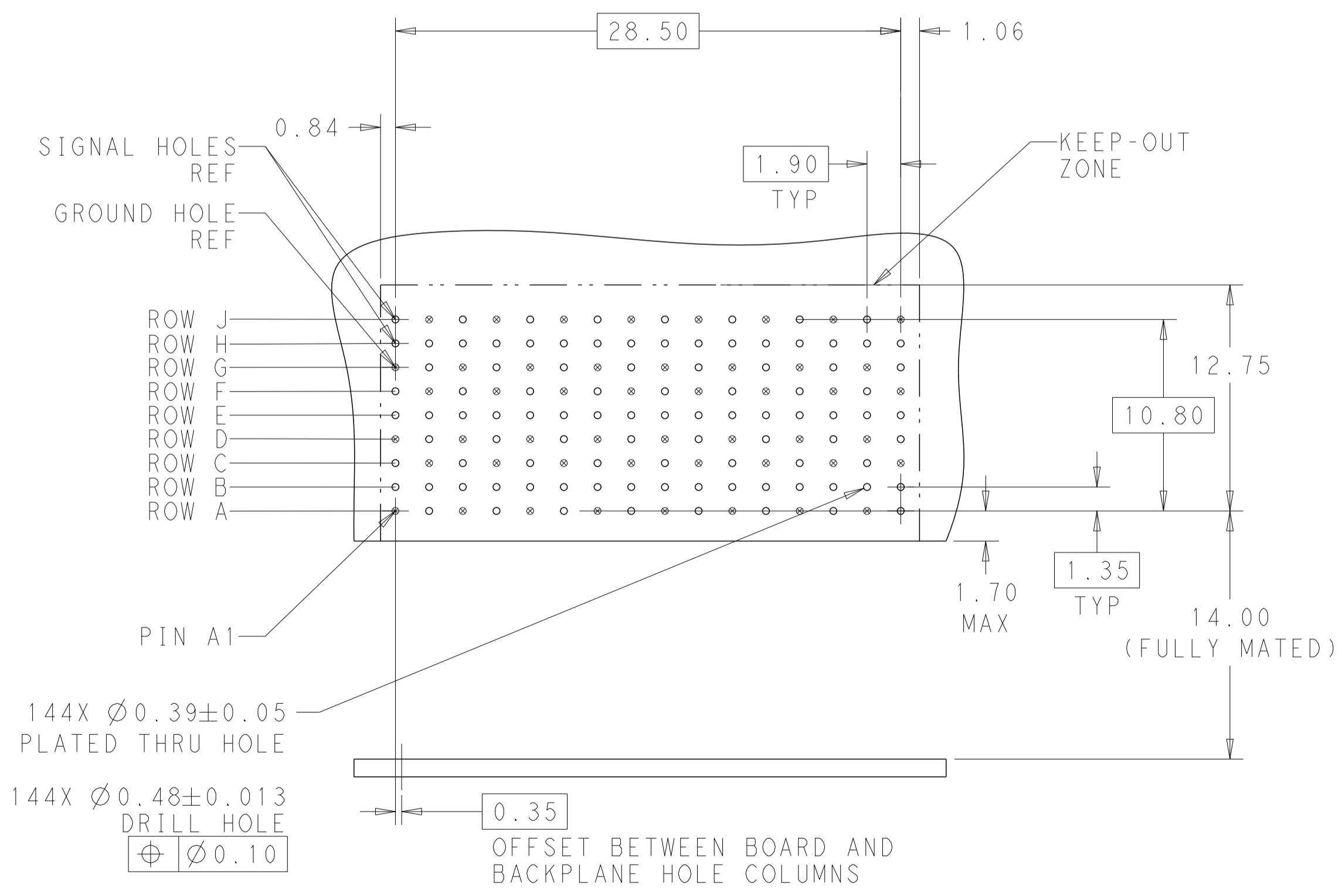
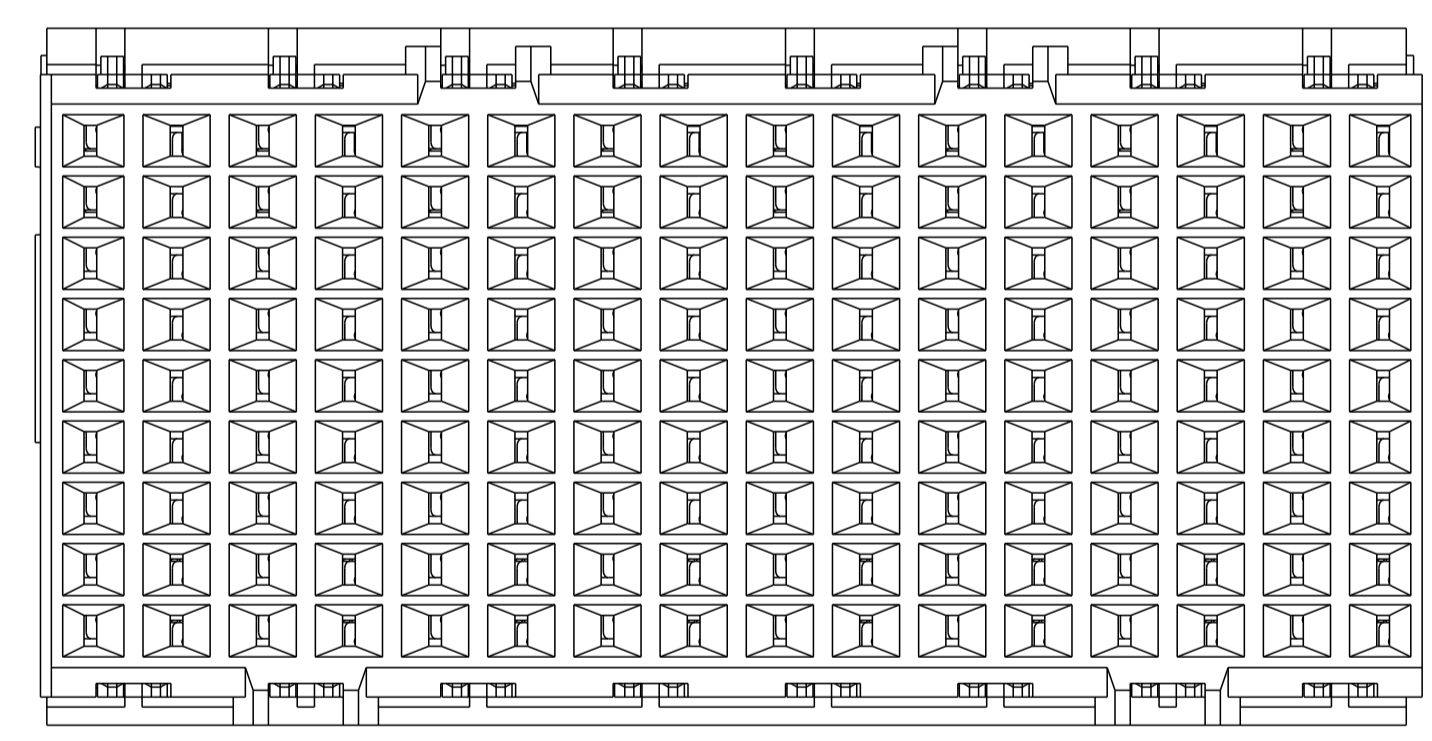
⚠ MATERIAL:
 HOUSING: LCP, GLASS FILLED, UL94V-0.
 TERMINALS: HIGH PERFORMANCE COPPER ALLOY.

⚠ FINISH:
 30µ" SELECTIVE GOLD IN CONTACT AREA. SELECTIVE TIN
 ON PCB TAILS, NICKEL OVERALL.



SCALE 4:1

REFER TO WWW.TE.COM
 FOR PRODUCT AVAILABILITY



KEY POSITION CHART	
	NONE

144X $\varnothing 0.39 \pm 0.05$
 PLATED THRU HOLE

144X $\varnothing 0.48 \pm 0.013$
 DRILL HOLE

$\varnothing 0.10$

RECOMMENDED PCB LAYOUT
 MIN BOARD THICKNESS 1.0

NONE		2007711-1
KEY POSITION	FINISH	PART NUMBER

THIS DRAWING IS A CONTROLLED DOCUMENT.		DWN 05APR2011		TE Connectivity	
DIMENSIONS: mm		CHK D. DIXON 05APR2011		NAME	
TOLERANCES UNLESS OTHERWISE SPECIFIED:		APVD D. DIXON 05APR2011	PRODUCT SPEC		IMPACT, 3 PAIR, DAUGHTERCARD 16 COLUMN, UNGUIDED, SIGNAL MODULE, 0.39 EYELET
0 PLC ±		APPLICATION SPEC	SIZE CAGE CODE DRAWING NO		
1 PLC ±0.2		RESTRICTED TO	A100779C=2007711		
2 PLC ±0.13		SCALE 6:1	SHEET 1 OF 1		
3 PLC ±		REV E5			
4 PLC ±					
ANGLES					
FINISH SEE TABLE					
MATERIAL					
CUSTOMER DRAWING					