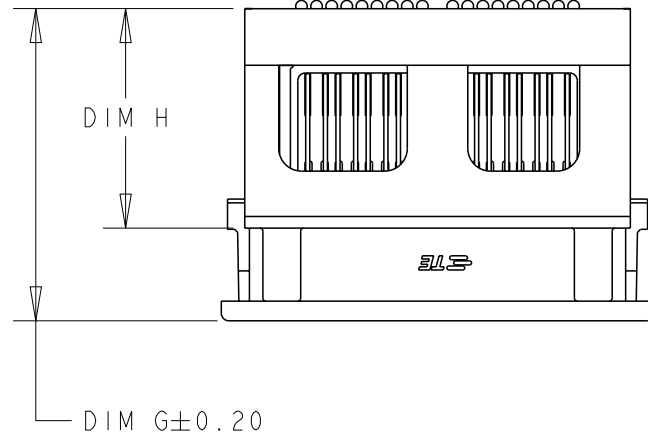
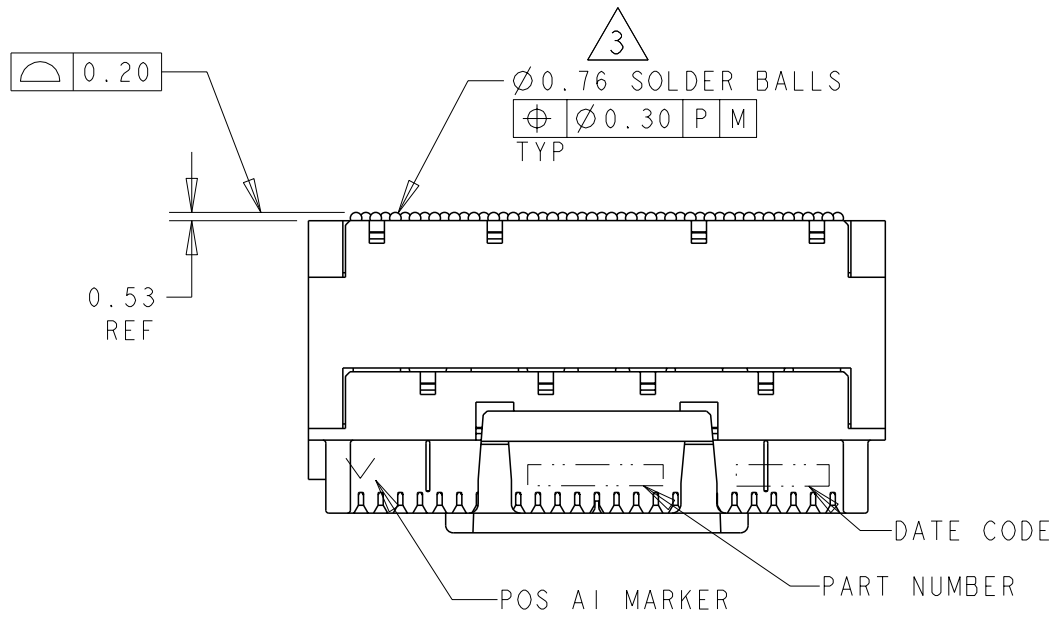


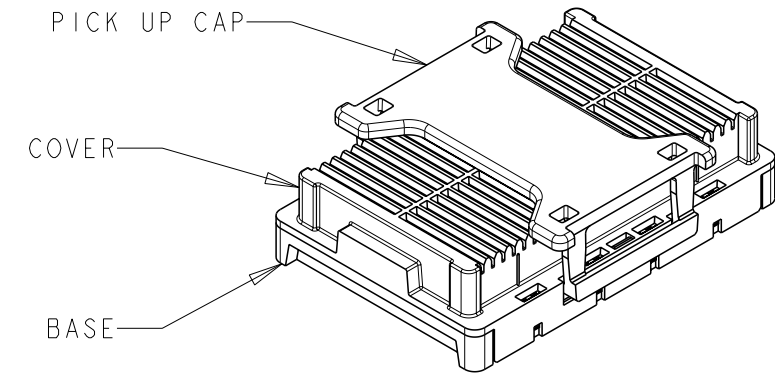
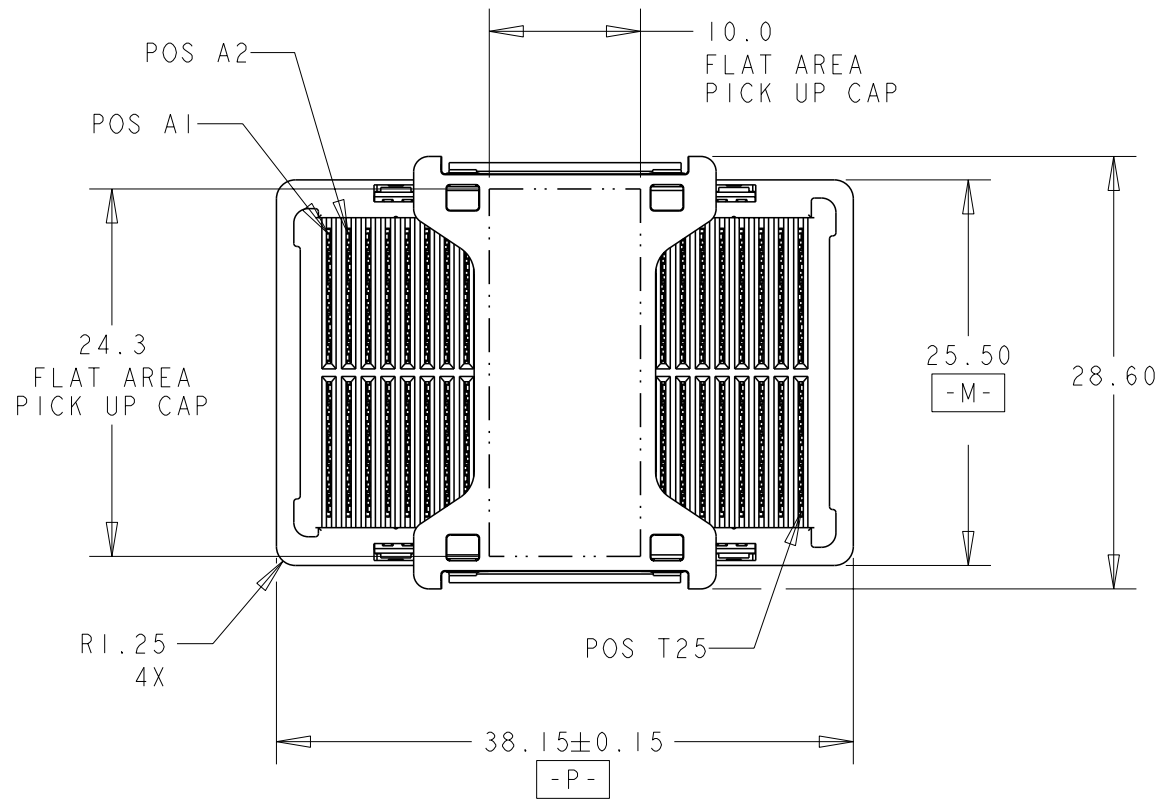
© 2021 TE Connectivity. All Rights Reserved.

REVISIONS

P	LTR	DESCRIPTION	DATE	DWN	APVD
	B	REVISED PER ECO-20-017117	26APR2021	AP	RW



TYPICAL ASSEMBLY
15mm SHOWN
SCALE 2:1



ISOMETRIC VIEW
TYPICAL CONFIGURATION
FOR 5mm ASSEMBLY
SCALE 3:2

THIS DRAWING IS A CONTROLLED DOCUMENT.		DWN B. CARBO 07NOV2007	TE Connectivity	
DIMENSIONS: mm		CHK D. DIXON 07NOV2007		
TOLERANCES UNLESS OTHERWISE SPECIFIED:		APVD D. DIXON 07NOV2007	NAME STEP-Z, RECEPTACLE ASSEMBLY, 200 SIGNAL POSITION	
0 PLC ±- 1 PLC ±0.3 2 PLC ±0.10 3 PLC ±0.050 4 PLC ±- ANGLES ±2°		PRODUCT SPEC 108-2143	SIZE A3	
MATERIAL 1		FINISH 2	APPLICATION SPEC 114-13101	CAGE CODE 300779
		WEIGHT -	DRAWING NO C-2007615	RESTRICTED TO
		CUSTOMER DRAWING	SCALE 2:1	SHEET 1 OF 4
				REV B

printed on 26 Apr 2021 09:04 from FRO19828

REVISIONS					
P	LTR	DESCRIPTION	DATE	DWN	APVD
-		SEE SHEET 1	-	-	-

1 MATERIAL:
 BASE, SPACER, COVER: THERMOPLASTIC
 PICK UP CAP: THERMOPLASTIC
 CONTACT: COPPER ALLOY
 SOLDER BALL: Sn/Pb FOR P/N 1761615-1 THRU 5-1761615-0
 Sn/Ag FOR P/N 5-1761615-1 THRU 9-1761615-9

2 FINISH:
 CONTACT: 0.00076 MIN GOLD OVER 0.00127 MIN NICKEL.
 (30µ" MIN GOLD OVER 50µ" MIN NICKEL)

3 SOLDER BALLS WILL NOT BE PERFECT
 SPHERICAL SHAPE DUE TO REFLOW ATTACHMENT.

4 CONTACTS IN ROWS A,C,E,G,J,K,M,P,R, AND T
 ARE SINGLE BEAM CONTACTS,
 TYPICALLY USED AS GROUND PINS.
 (NOTE: CONTACTS IN ROWS J & K ARE TIED
 TOGETHER [COMMONED]).

5 CONTACTS IN ROWS B,D,F,H,L,N,Q, AND S
 ARE DUAL BEAM CONTACTS,
 TYPICALLY USED AS SIGNAL PINS.

6 SPECIFIED POSITIONAL TOLERANCE DEFINES PAD TO PAD
 LOCATION WITHIN LAND PATTERN. POSITIONAL TOLERANCE
 OF LAND PATTERN TO FUDICIAL MARKS OR PCB DATUMS
 SHALL BE DEFINED BY CUSTOMER. FOR RECOMMENDED
 PRODUCT APPLICATION AND PCB DESIGN DETAILS, SEE
 APPLICATION SPEC 114-13101.

7 SOLDER PADS UNUSED, MAY BE OMITTED.

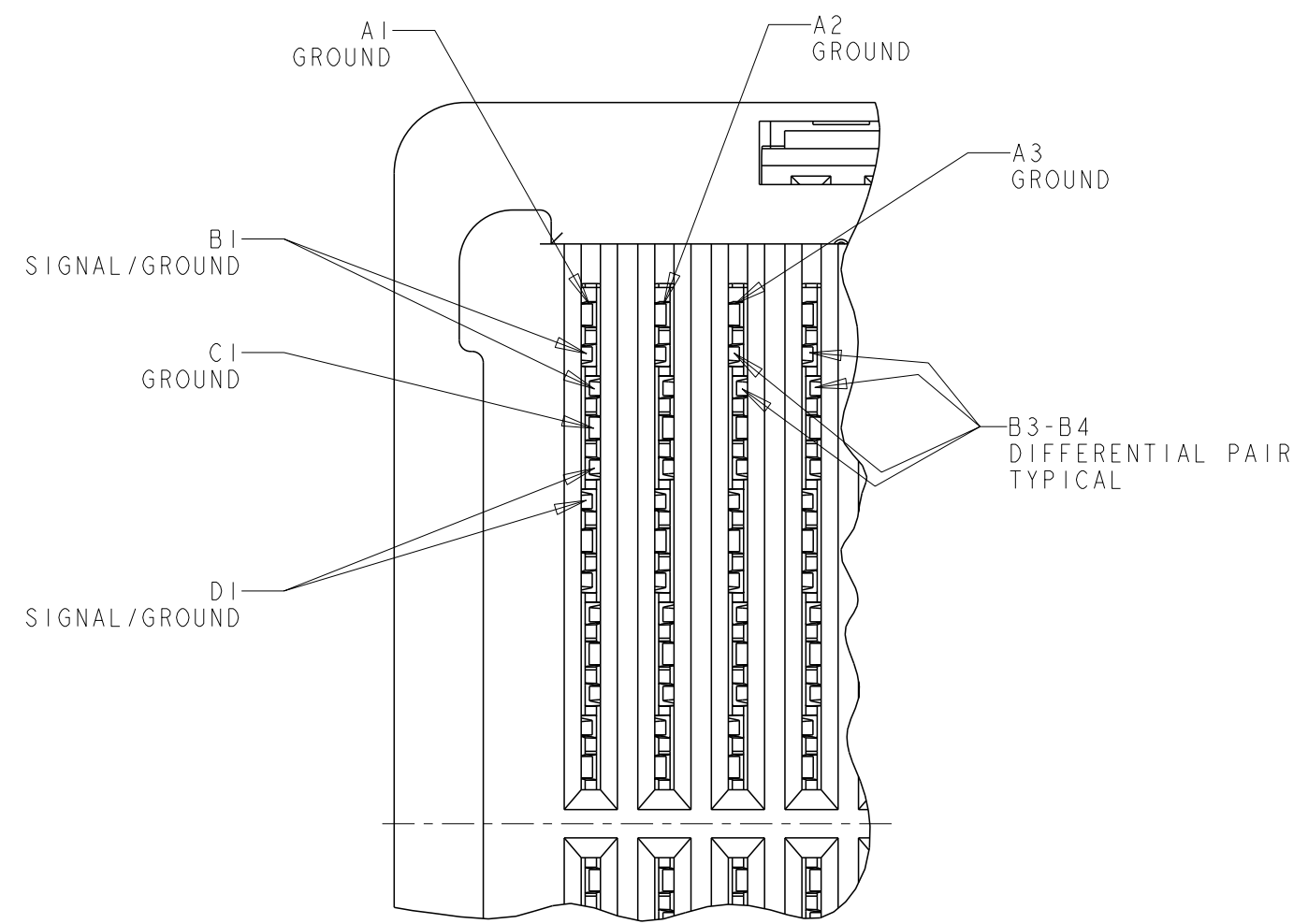
8 REFERENCE BOARD PATTERN FOR DIMENSIONS
 AND DETAILS NOT SHOWN.

9 HARD BLACK PLASTIC JEDEC STYLE TRAY.

10 PACKAGING:
 28 CONNECTORS PER TRAY.
 8 TRAYS PER SHIPPING BOX.
 SOLD ONLY IN BOX QUANTITIES (224).
 AVAILABLE IN SINGLE SOFT CLEAR TRAY
 QUANTITY (25) AS X-1761615-X (SAME DASH NUMBERS).

11 ANTISTATIC MATERIAL.

12 CONNECTOR ORIENTATION:
 POSITION A1 IN UPPER RIGHT CORNER.



RECEPTACLE INTERFACE
 SCALE 8:1

TRAY COLOR	DIM T	DIM H	DIM G	LOAD STYLE	DESCRIPTION	PART NUMBER
BLUE	11.3	4.51	10.65	FULL LOAD-200 POSN	5mm Sn/Ag	5-2007615-5
BLACK	11.3	4.51	10.65	FULL LOAD-200 POSN	5mm Sn/Pb	2007615-5

THIS DRAWING IS A CONTROLLED DOCUMENT.		DWN B. CARBO 07NOV2007	 NAME STEP-Z, RECEPTACLE ASSEMBLY, 200 SIGNAL POSITION			
DIMENSIONS: mm		CHK D. DIXON 07NOV2007				
TOLERANCES UNLESS OTHERWISE SPECIFIED:		APVD D. DIXON 07NOV2007				
0 PLC ±- 1 PLC ±0.3 2 PLC ±0.10 3 PLC ±0.050 4 PLC ±- ANGLES ±2°		PRODUCT SPEC 108-2143				
MATERIAL -	FINISH -	APPLICATION SPEC 114-13101	SIZE A3	CAGE CODE 00779	DRAWING NO C-2007615	RESTRICTED TO
CUSTOMER DRAWING			SCALE 2:1	SHEET 2 OF 4	REV B	

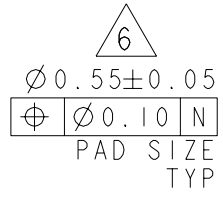
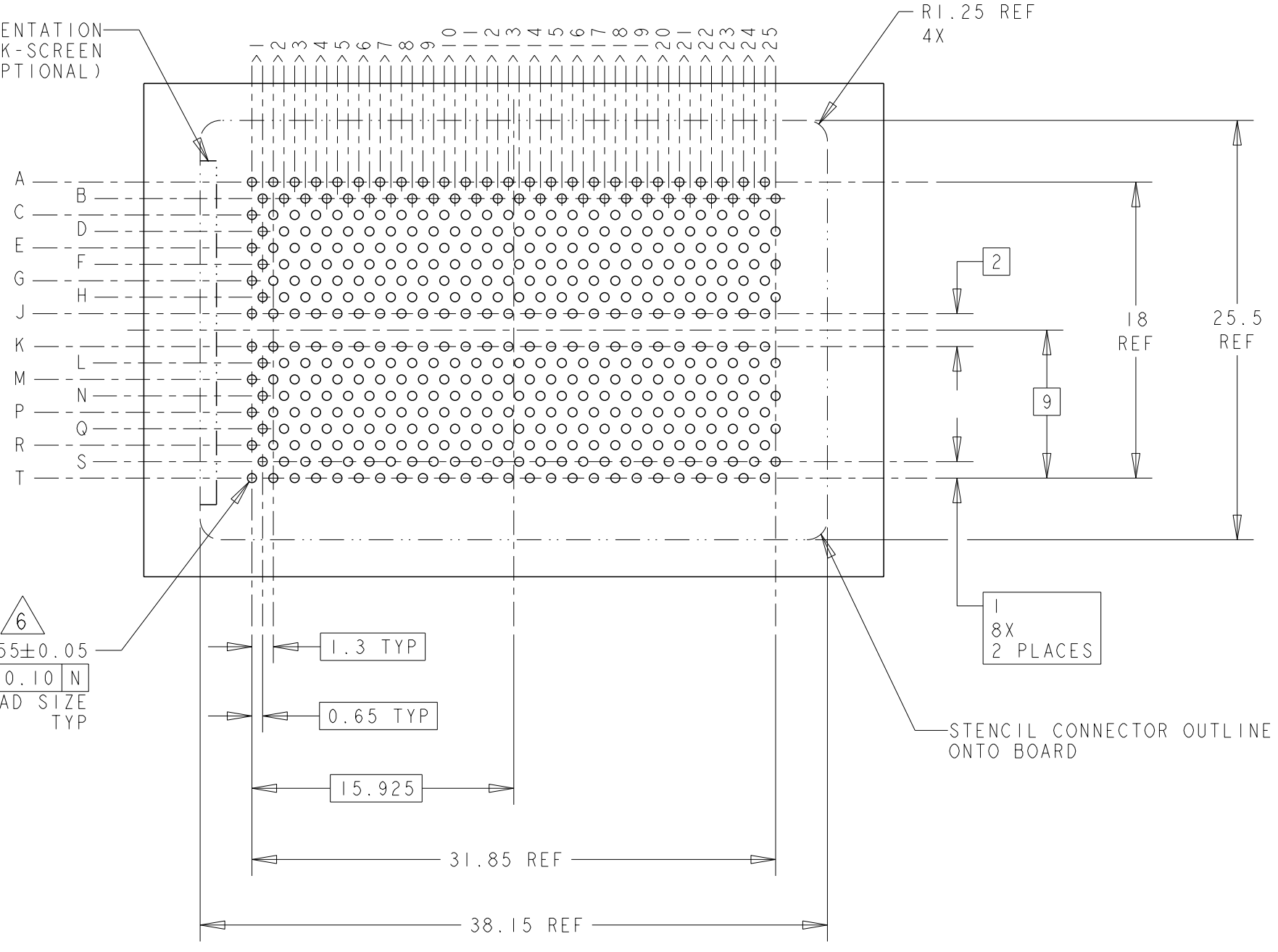
printed on 26 Apr 2021 09:04 from FRO19828

© 2021 TE Connectivity. All Rights Reserved.

REVISIONS

P	LTR	DESCRIPTION	DATE	DWN	APVD
-	-	SEE SHEET 1	-	-	-

KEY ORIENTATION SILK-SCREEN (OPTIONAL)



BOARD PATTERN SCALE 3:1

THIS DRAWING IS A CONTROLLED DOCUMENT.

DIMENSIONS:	TOLERANCES UNLESS OTHERWISE SPECIFIED:
mm	
	0 PLC ±-
	1 PLC ±0.3
	2 PLC ±0.10
	3 PLC ±0.050
	4 PLC ±-
	ANGLES ±2°
MATERIAL	FINISH
-	-

DWN	B. CARBO	07NOV2007
CHK	D. DIXON	07NOV2007
APVD	D. DIXON	07NOV2007
PRODUCT SPEC	108-2143	
APPLICATION SPEC	114-13101	
WEIGHT	-	

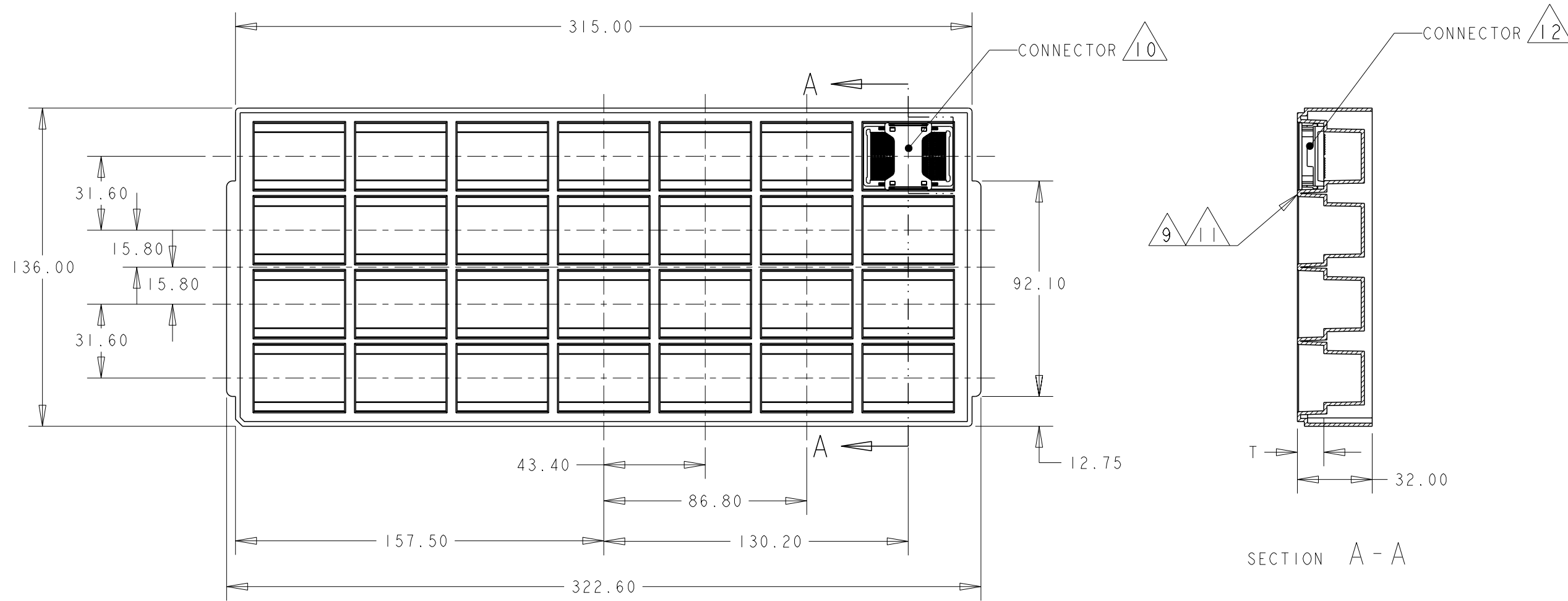


STEP-Z, RECEPTACLE ASSEMBLY, 200 SIGNAL POSITION

SIZE	CAGE CODE	DRAWING NO	RESTRICTED TO
A3	00779	C-2007615	

printed on 26 Apr 2021 09:04 from FROT9828

P	LTR	DESCRIPTION	DATE	DWN	APVD
-	-	SEE SHEET 1	-	-	-



SCALE 1:2

THIS DRAWING IS A CONTROLLED DOCUMENT.		DWN B. CARBO	07NOV2007		TE Connectivity NAME STEP-Z, RECEPTACLE ASSEMBLY, 200 SIGNAL POSITION
DIMENSIONS: mm		CHK D. DIXON	07NOV2007		
TOLERANCES UNLESS OTHERWISE SPECIFIED:		APVD D. DIXON	07NOV2007		
0 PLC ±- 1 PLC ±0.3 2 PLC ±0.10 3 PLC ±0.050 4 PLC ±- ANGLES ±2°		PRODUCT SPEC 108-2143			
MATERIAL -		FINISH -	APPLICATION SPEC 114-13101	SIZE A3	CAGE CODE 00779
		WEIGHT -	CUSTOMER DRAWING	DRAWING NO C-2007615	RESTRICTED TO
			SCALE 2:1	SHEET 4 OF 4	REV B

Printed on 26 Apr 2021 09:04 from FR019828