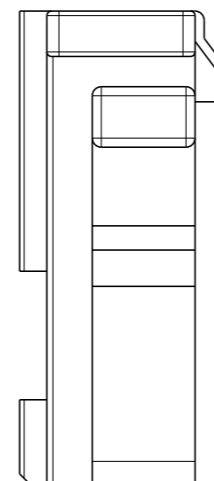
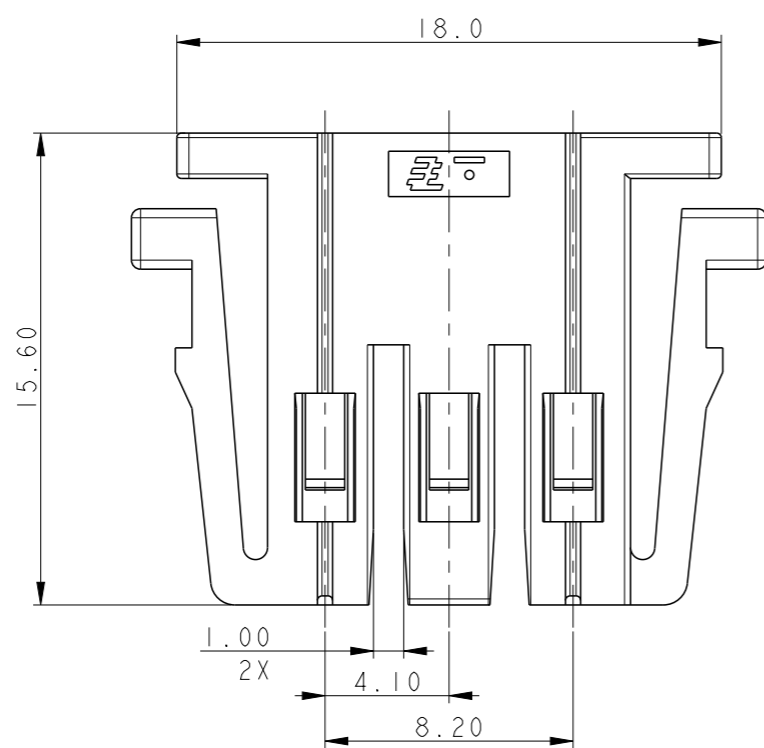
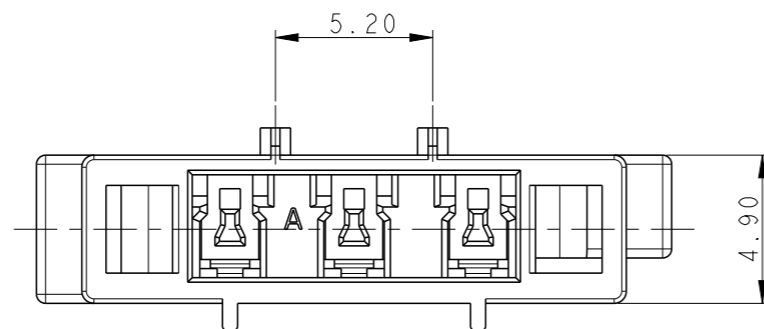


REVISIONS

P	LTR	DESCRIPTION	DATE	DWN	APVD
	B	REVISED PER ECR-24-202988	02JUL2024	DK	DZ



NOTES;

1. GENERAL TOLERANCES:  $\pm 0.3$
2. MATING HDR ASS'Y P/N: 1743490-X
3. APPLICABLE TPA P/N: 2005543-X
4. APPLICABLE CONTACT P/N: 917683-1 & 917684-1
5. APPLICABLE REAR SEAL P/N: 2404009-1

2005542-1	3P PLUG HSG	PC/PET	NATURAL
P/N	DESCRIPTION	MATERIAL	COLOR

THIS DRAWING IS A CONTROLLED DOCUMENT.		DWN BH CHO		
DIMENSIONS: mm		CHK BW KANG		
TOLERANCES UNLESS OTHERWISE SPECIFIED:		APVD JK SONG	NAME BLOWER MOTOR 3P PLUG HOUSING WITH DBL	
0 PLC $\pm$		PRODUCT SPEC 108-61076	SIZE	
1 PLC $\pm$		APPLICATION SPEC 114-5203	CAGE CODE	
2 PLC $\pm$		WEIGHT -	DRAWING NO A300779	
3 PLC $\pm$		CUSTOMER DRAWING	SCALE 4:1	
4 PLC $\pm$			SHEET 1 OF 1	
ANGLES $\pm$			REV B	
FINISH N/A			RESTRICTED TO -	
MATERIAL SEE TABLE				