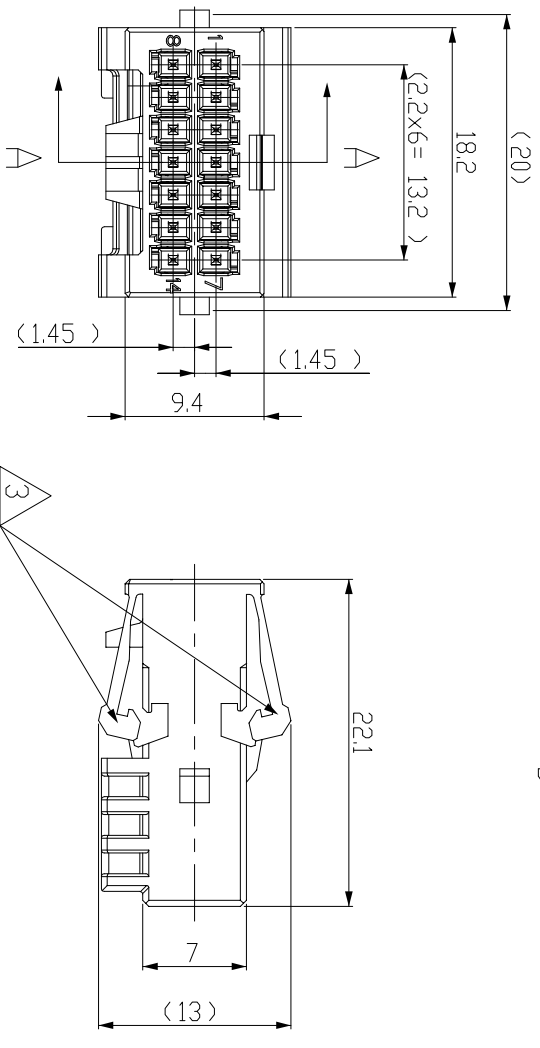
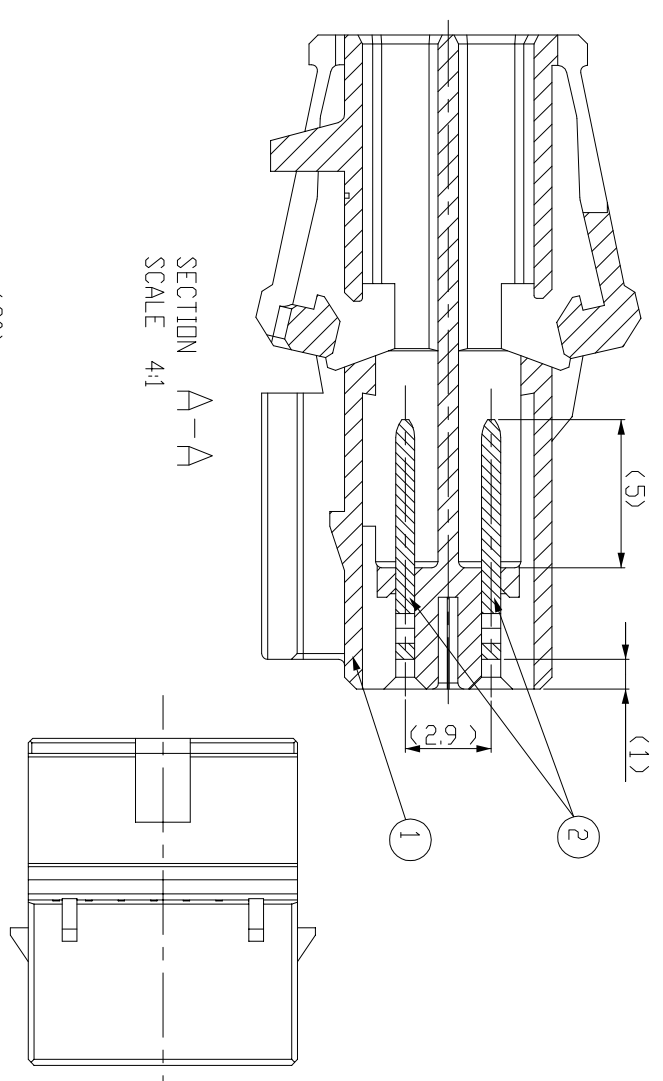
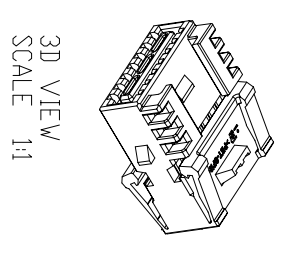
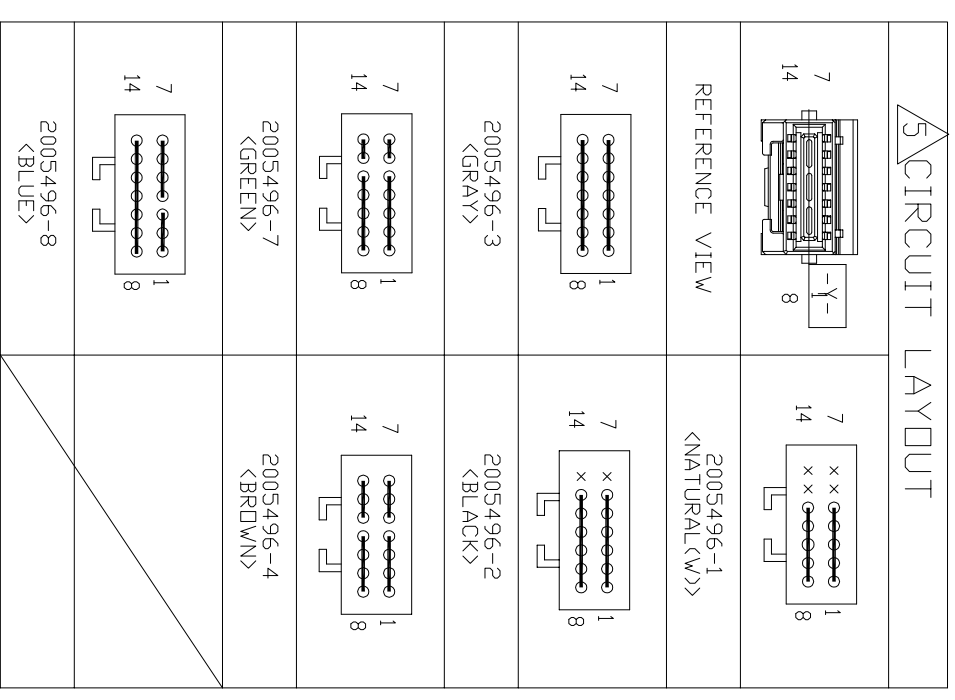


REVISIONS

P	LTR	DESCRIPTION	DATE	D/WN	AP'VD
E		REVISED (EGR-14-014262)	30.MAR.16	SJ	HG

CIRCUIT LAYOUT



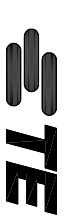
NOTE

1. GENERAL TOLERANCE: ±0.3, ±3°
2. APPLICABLE REC TML: SEE TABLE 1
3. DELIVERY CONDITION: DBL IN 1st LOCK POSITION.
4. APPLICABLE REAR HOLDER (COVER) P/N: 2005318-X
5. CIRCUIT LAYOUT

TABLE 1

P/N	WIRE RANGE(mm ²)	INSULATION RANGE(mm)
2005097-1	0.22	∅0.9-1.2
2005427-1	0.3-0.5	∅1.1-1.7

No.	PRE-TIN	BRASS	ASSY PN	DESCRIPTION	REMARKS
①	BLUE	PBT-GF10	2005496-8	.025 JOINT 14P ASSY BLU	
	GREEN	PBT-GF10	2005496-7	.025 JOINT 14P ASSY GRN	
	BROWN	PBT-GF10	2005496-4	.025 JOINT 14P ASSY BRN	
	GRAY	PBT-GF10	2005496-3	.025 JOINT 14P ASSY GRY	
	BLACK	PBT-GF10	2005496-2	.025 JOINT 12P ASSY BLK	
②	NATURAL	PBT-GF10	2005496-1	.025 JOINT 10P ASSY NAT	
	BLUE	PBT-GF10		.025 TAB SPLICE 7P	1
	GREEN	PBT-GF10		.025 TAB SPLICE 6P	2
	BROWN	PBT-GF10		.025 TAB SPLICE 5P	2
	GRAY	PBT-GF10		.025 TAB SPLICE 4P	2



TE Connectivity

.025 JOINT 14P CONNECTOR ASS'Y

THIS DRAWING IS A CONTROLLED DOCUMENT.

D/WN	SJ CHOI
CHK	JW JUNG
AP'VD	HG CHOI
PRODUCT SPEC	
APPLICATION SPEC	
WEIGHT	

DIMENSIONS: MM

0 PLC	±
1 PLC	±
2 PLC	±
3 PLC	±
4 PLC ANGLES	±

TOLERANCES UNLESS OTHERWISE SPECIFIED.

MATERIAL SEE TABLE 1

SIZE	A3
CAGE CODE	-
DRAWING NO	©2005496
SCALE	2:1
SHEET	1 OF 1
REV	E

CUSTOMER DRAWING