

Introducing Spring Type Straight Plugs

TE's new range of spring type plugs provide a quick and easy way for installers in the field to mate wires without the use of special tools. TE's comprehensive solutions, including left and right hand spring type plugs, clamp wires in quickly and so save both time and labor for a multitude of control and power wiring applications. Furthermore, multiple wire access angles offer space savings as they allow for additional configurations and provide flexibility in the design of board layouts in tight spaces.

The spring type plugs are available with and without flanges, which adds the benefit of saving space by stacking them end to end. The plugs mate to industry standard open and closed end headers on the same centerline spacing, but are also available in multiple colors and custom marking.

KEY FEATURES

- Multiple wire access angles (90° & 270°) to header interface
- Mates with industry standard headers on the same centerline spacing
- Fast wire connections
- Custom marking and printing available
- Plugs w/o mounting flanges are end to end stackable
- Available in additional colors

APPLICATIONS

- Wire-to-board applications requiring field wiring termination
- Industrial Controls: control and power wiring
- HVAC Controls: control and power wiring
- Applications subject to certain types of vibrations

MECHANICAL

- Insertion Force per pole 3 N max
- Withdrawal force per pole 1.5 N min
- Stripping Length 10.5 - 11.5 mm
- Operating temperature range -40°C to +110°C

ELECTRICAL

- Wire range 14-30 solid and stranded
- 300 V, 11 A for stranded and 9 A for solid wire per UL
- UL File E60677

MATERIALS

- Clamping Spring steel
- Housing 94V0 rated Polyamide
- Terminals lead-free tin plated copper alloy
- Locking screws brass

STANDARDS AND SPECIFICATIONS

Approved to UL 1059

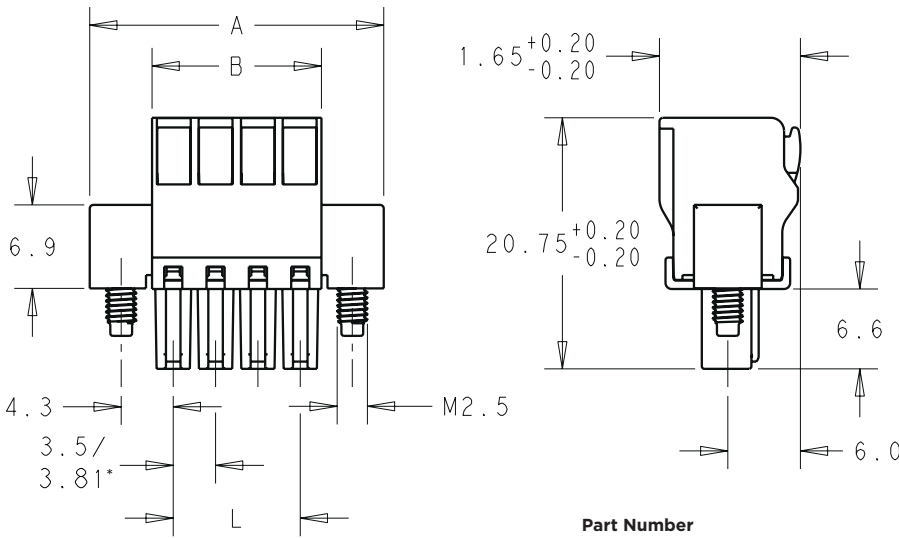
PRODUCT DIMENSIONS

- Plug:
Height 20.75 mm, Width 11.65 mm, Length dependent on number of positions
- Plug with Mounting Flanges:
Height 20.75 mm, Width 11.65 mm, Length dependent on number of positions

te.com/industrial



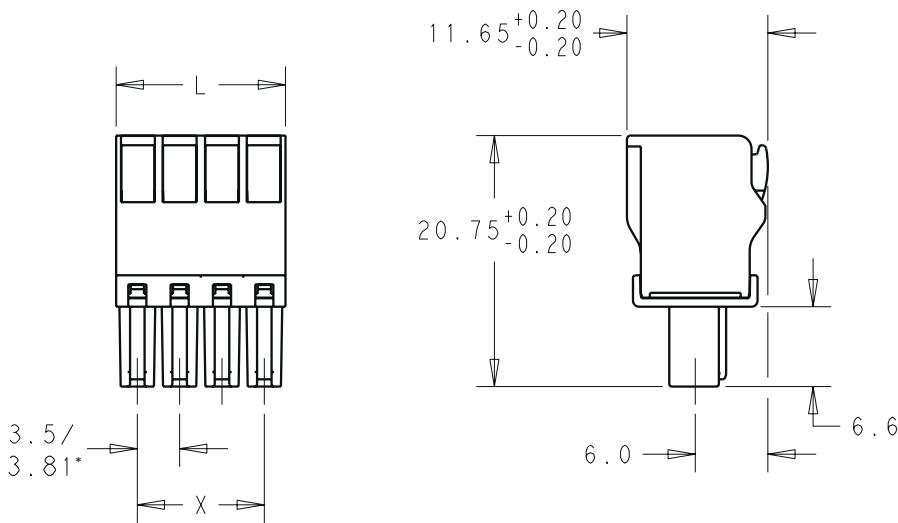
STRAIGHT PLUGS WITH FLANGES,
Right Hand Version



*dependent on centerline chosen

Part Number	Part Description
1986723-2 to 2-1986723-3	Straight Spring Type Plug, w/Flanges 3.5 mm, Right Hand, 2 - 23 posn
1986724-2 to 2-1986724-3	Straight Spring Type Plug, w/Flanges 3.81 mm, Right Hand, 2 - 23 posn
1986725-2 to 2-1986725-3	Straight Spring Type Plug, w/Flanges 3.5 mm, Left Hand, 2 - 23 posn
1986726-2 to 2-1986726-3	Straight Spring Type Plug, w/Flanges 3.81 mm, Left Hand, 2 - 23 posn

STRAIGHT PLUG WITHOUT FLANGES



*dependent on centerline chosen

Part Number	Part Description
1986692-2 to 2-1986692-5	Straight Spring Type Plug, 3.5 mm, Right Hand, 2 - 25 posn
1986720-2 to 2-1986720-5	Straight Spring Type Plug, 3.81 mm, Right Hand, 2 - 25 posn
1986693-2 to 2-1986693-5	Straight Spring Type Plug, 3.5 mm, Left Hand, 2 - 25 posn
1986722-2 to 2-1986722-5	Straight Spring Type Plug, 3.81 mm, Left Hand, 2 - 25 posn

While TE has made every reasonable effort to ensure the accuracy of the information in this document, TE does not guarantee that it is error-free, nor does TE make any other representation, warranty or guarantee that the information is accurate, correct, reliable or current. TE reserves the right to make any adjustments to the information contained herein at any time without notice. TE expressly disclaims all implied warranties regarding the information contained herein, including, but not limited to, any implied warranties of merchantability or fitness for a particular purpose. The dimensions in this document are for reference purposes only and are subject to change without notice. Specifications are subject to change without notice. Consult TE for the latest dimensions and design specifications.

te.com/industrial

