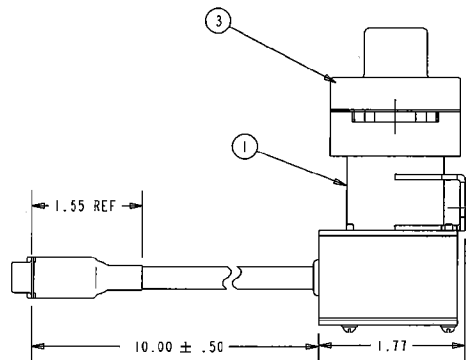
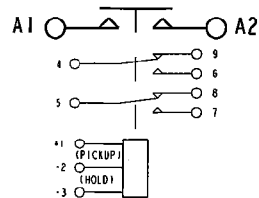
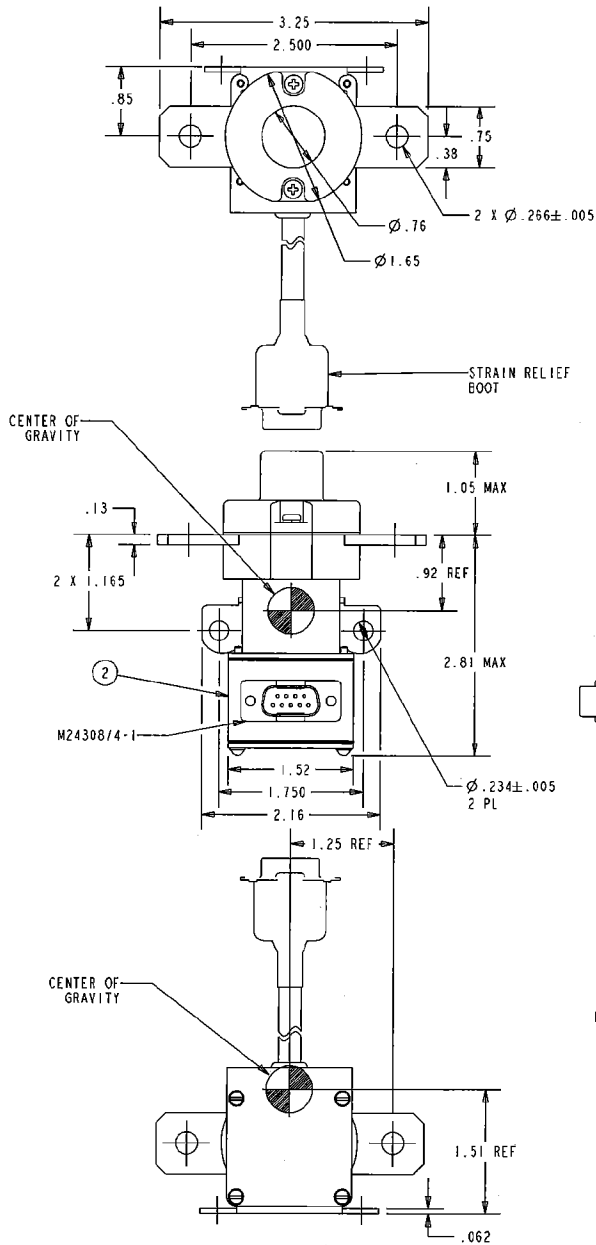


K4001A3B01 REV A

REVISONS		RELEASED	
REV.	DESCRIPTION	DATE	APPROVED
A	INITIAL RELEASE	12/07/05	RSS



NOTES:

- AUXILIARY CONTACTS ARE GOLD PLATED.
- LOW LEVEL RATING NOT APPLICABLE AFTER APPLICATION OF CURRENT GREATER THAN 125 mA.
- PICKUP MUST BE LIMITED TO 100 ms MINIMUM TO 150 ms MAXIMUM ACROSS PINS 1 AND 2.

CONSTRUCTION	GASKET SEALED
MAIN CONTACTS CONFIGURATION	SPST N.O. (DOUBLE BREAK)
VOLTAGE	28 VDC
CURRENT	400 AMPS
RESISTIVE	1875 AMPS FOR 0 TO 5 SEC.
RUPTURE	1700 AMPS FOR 5 TO 10 SEC.
MOTOR	1500 AMPS FOR 10 TO 15 SEC.
	1200 AMPS FOR 15 TO 20 SEC.
	1000 AMPS FOR 20 TO 25 SEC.
	750 AMPS FOR 25 TO 30 SEC.
	500 AMPS FOR 30 TO 90 SEC.
AUXILIARY CONTACTS CONFIGURATION	2PDT
VOLTAGE	28 VDC
CURRENT	1 AMP
RESISTIVE	
COIL DATA	CONTINUOUS (NON-ECONOMIZED)
DUTY CYCLE	32 VDC
MAX OPERATE VOLTAGE	28 VDC
NON OPERATE VOLTAGE	18 VDC MAX
MAX PICKUP VOLTAGE	9 VDC MAX
DROPOUT VOLTAGE	
COIL CURRENT	9 AMP MAX AT 28 VDC
INRUSH	400 mA MAX AT 28 VDC
HOLD	45 ms AT 18 VDC AND 85°C
OPERATE TIME	25 ms AT 32 VDC
DROPOUT TIME	
ENVIRONMENTAL DATA	
TEMPERATURE	-55°C TO 85°C
ALTITUDE	50,000 FEET
LIFE ELECTRICAL	50,000 CYCLES MIN.
LIFE MECHANICAL	100,000 CYCLES MIN.
WEIGHT MAX	.75 LBS

3	1	47619-120	PRIMARY ASSEMBLY				2-1616975-5
2	1	44900-019	SCHEMATIC DIAGRAM				4-1616975-3
1	1	44899-034	NAME PLATE				4-1616975-2
FIND NO	QTY REQD	PART OR IDENTIFYING NO	NOMENCLATURE OR DESCRIPTION*	DRAWING OR SPECIFICATION	FSCN NO	TE PART NO	MATERIAL OR NOTE
UNLESS OTHERWISE SPECIFIED DIMENSIONS ARE IN INCHES TOLERANCES OR			 STE Manufacturing Division 175 N. DIAMOND STREET WAINFIELD, OHIO 44892				
2 PL DEC 3 PL DEC 1 ANGLES							
$\pm .03 \pm .015 \pm 2^\circ$			DR BY	RSS	09/04/13	CONTACTOR - SPST N.O. DB 400 AMP, 28 VDC DWG NO. K4001A3B01	
			CHM BY	RSS	12/07/05		
			ENGR	RSS	09/04/13		
			MFG	DA	12/07/05		
			SIZE	CODE IDENT		REF TE PN 2-1616975-4	
			B	74063			
			SCALE	NONE		SHEET 1 OF 1	