

LOC		DIST		REVISIONS			
P	LTR	DESCRIPTION	DATE	DN	APVD		
G		REV PER ECO 15-000634	1-14-15	CT	WB		

- CONNECTOR DIMENSIONS ARE PER ARINC 600 SPECIFICATION UNLESS OTHERWISE SPECIFIED.
 - CONNECTOR IS SUPPLIED WITH CONTACTS (PER TABLE) ASSEMBLED AS SHOWN.
 - KEYING SHOWN IN POSITION "01" FOR ILLUSTRATION ONLY. CONNECTORS SHIPPED WITH KEYING INSTALLED IN POSITION PER TABLE. WITH CONTACT FULLY SEATED TO REAR OF CAVITY.
- 4 .000050 MIN GOLD PER ASTM-B488 IN LOCALIZED SOCKET PLATE AREA; .000050-.000150 MATTE Sn PER ASTM B545 IN LOCALIZED TAIL PLATE AREA BOTH OVER
- 5 .000050-.000150 NICKEL PER AMS-QQ-N-290 ON ENTIRE STOCK

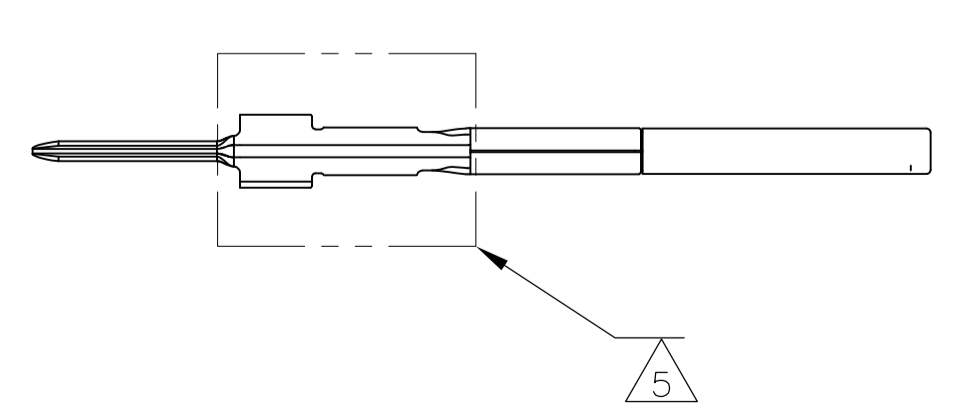
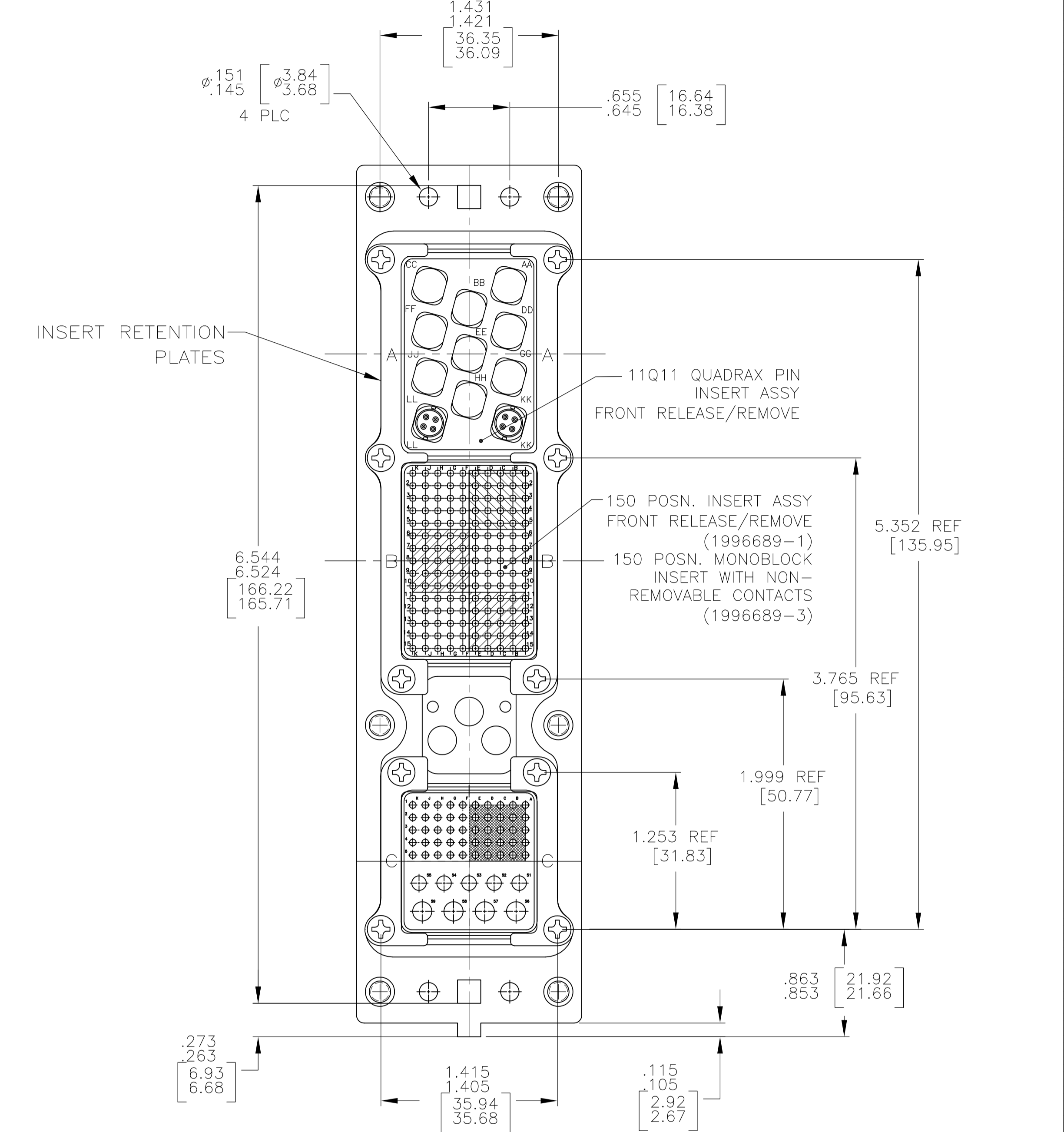
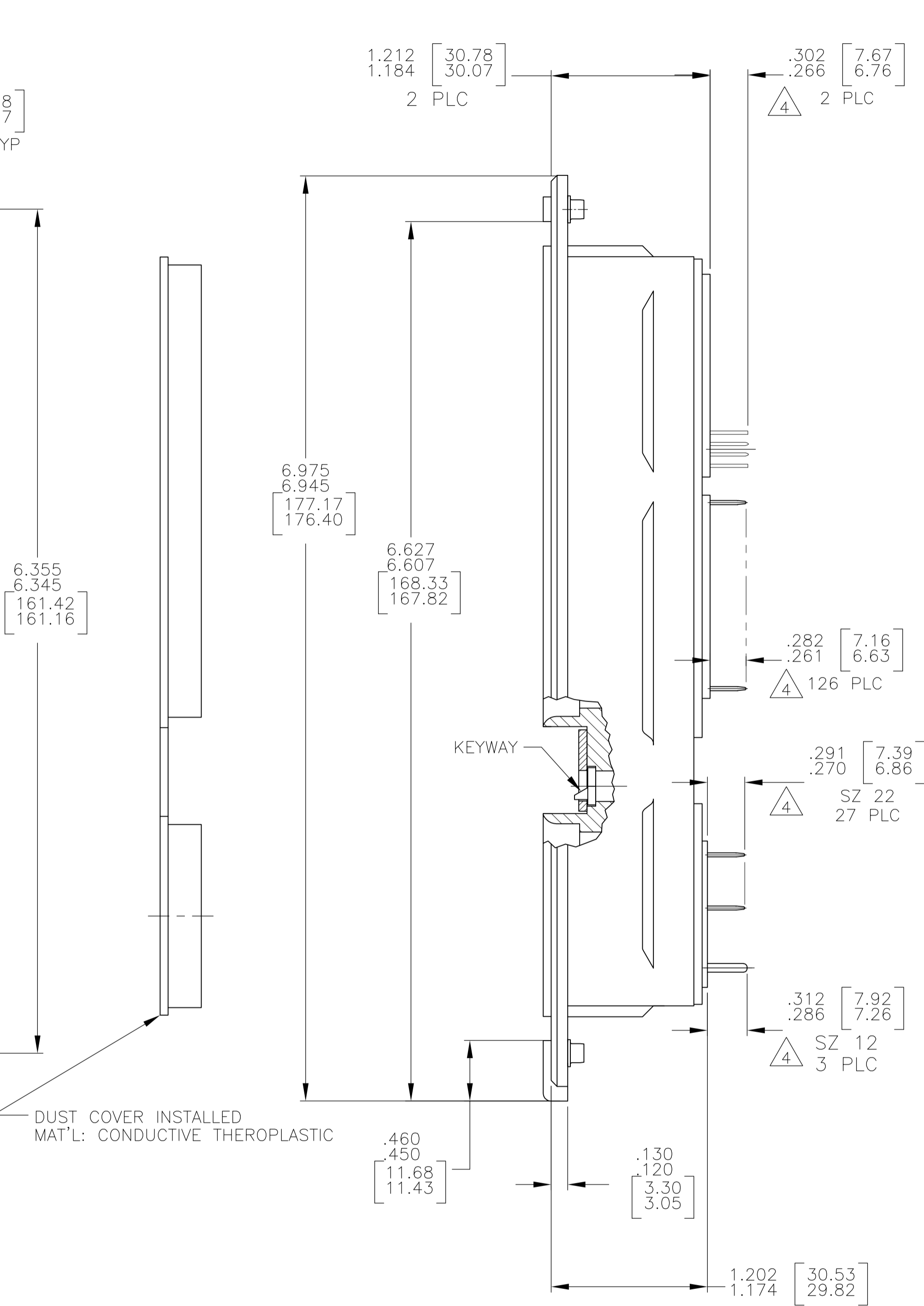
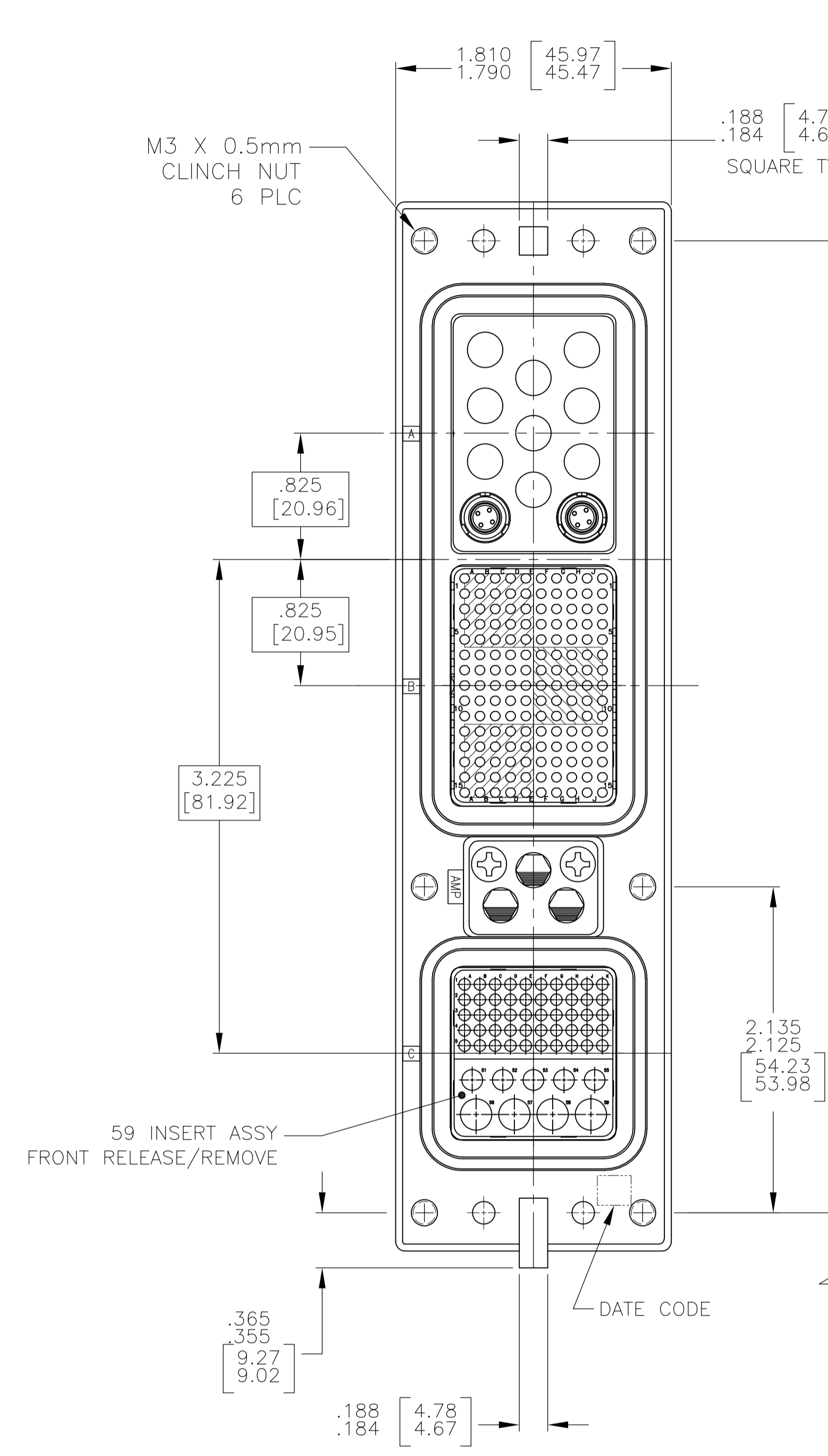
COMPONENT	MATERIAL	FINISH
SHELL	DIE CAST ALUMINUM PER ASTM-B-B5	ELECTROLESS NICKEL PER MIL-C-26074, CLASS 3 OR 4, GRADE B
RETENTION PLATES	ALUMINUM ALLOY PER ASTM-B-209	ELECTROLESS NICKEL PER MIL-C-26074, CLASS 3 OR 4, GRADE B
SCREWS	STAINLESS STEEL	PASSIVATED
KEYWAY	ZINC ALLOY PER ASTM-B-86	-
150 & 59 POSN. INSERT	THERMOSET	-
KEYWAY RETAINING PLATE	ALUMINUM ALLOY PER ASTM-B-209	BLUE ANODIZED PER MIL-A-8625
11Q11 INSERT	ALUMINUM ALLOY PER ASTM-B-209	ELECTROLESS NICKEL PER MIL-C-26074, CLASS 3 OR 4, GRADE B

"01"	MODULE A: SIZE 8 QUADRAX: 1445626-4 (QTY=2) SIZE 8 FILLER PLUG: 1663983-1 (QTY=6) SEE SHEET #3 FOR SELECTIVE LOADING CHART MODULE B: SIZE 22 NON-REMOVABLE CONTACTS (QTY=128) EMPTY CAVITIES EPOXY FILLED (QTY=22) SEE SHEET #3 FOR SELECTIVE LOADING CHART MODULE C: SIZE 22 POSTED: 211431-4 (QTY=30) SIZE 22 FILLER PLUG: 1663767-1 (QTY=20) SEE SHEET #3 FOR SELECTIVE LOADING CHART SIZE 12 PIN CONTACT: 448140-3 (QTY=3) SIZE 12 FILLER PLUG: 1663767-4 (QTY=1) SEE SHEET #3 FOR SELECTIVE LOADING CHART SIZE 16 FILLER PLUG: 1663767-3 (QTY=5) SEE SHEET #3 FOR SELECTIVE LOADING CHART	1996689-3
"01"	MODULE A: SIZE 8 QUADRAX: 1445626-4 (QTY=2) SIZE 8 FILLER PLUG: 1663983-1 (QTY=6) SEE SHEET #3 FOR SELECTIVE LOADING CHART MODULE B: SIZE 22 POSTED: 211431-4 (QTY=128) SIZE 22 FILLER PLUG: 1663767-1 (QTY=22) SEE SHEET #3 FOR SELECTIVE LOADING CHART MODULE C: SIZE 22 POSTED: 211431-4 (QTY=30) SIZE 22 FILLER PLUG: 1663767-1 (QTY=20) SEE SHEET #3 FOR SELECTIVE LOADING CHART SIZE 12 PIN CONTACT: 448140-3 (QTY=3) SIZE 12 FILLER PLUG: 1663767-4 (QTY=1) SEE SHEET #3 FOR SELECTIVE LOADING CHART SIZE 16 FILLER PLUG: 1663767-3 (QTY=5) SEE SHEET #3 FOR SELECTIVE LOADING CHART	1996689-1
KEYING POSITION	CONTACTS INCLUDED AND INSTALLED	PART NUMBER

THIS DRAWING IS A CONTROLLED DOCUMENT.

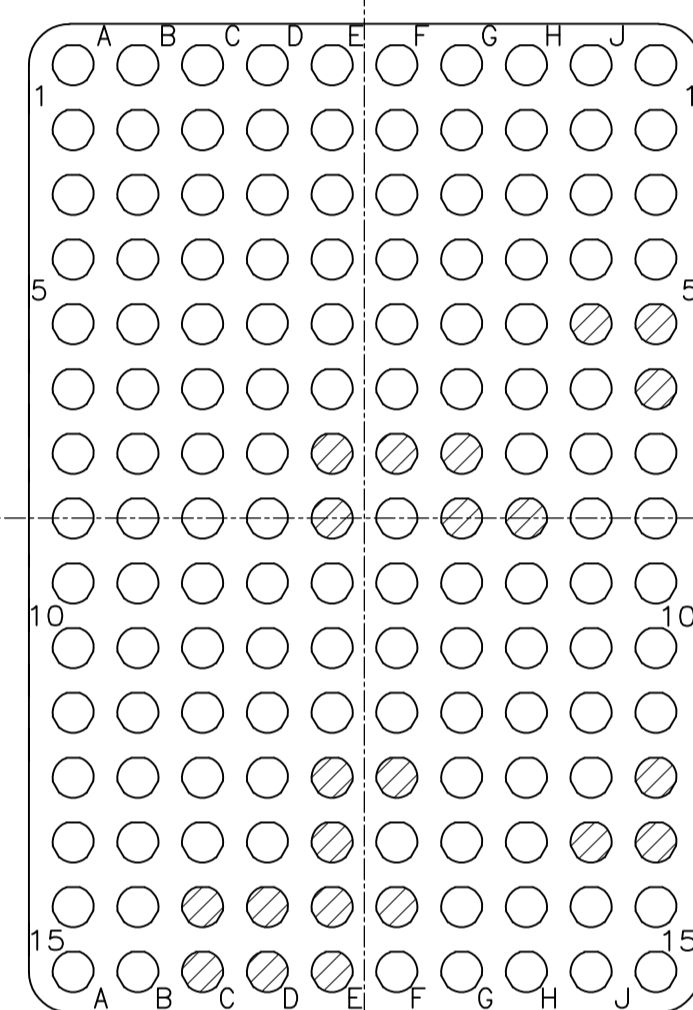
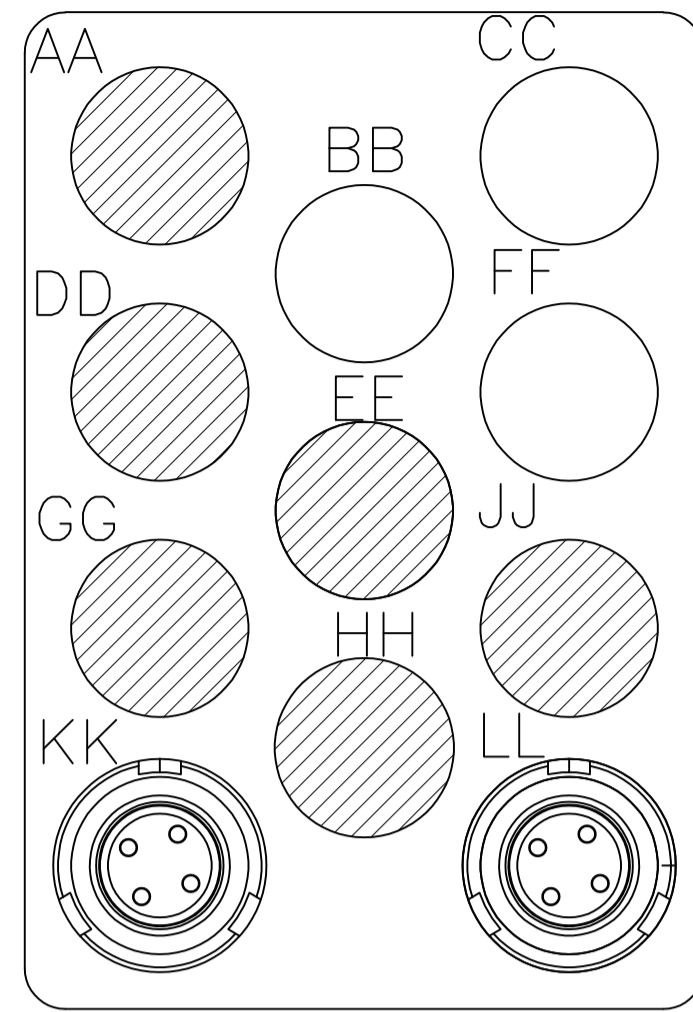
DIN	C.C.THOMAS	10-10-08
CHK	K.THACKSTON	10-13-08
APVD	K.THACKSTON	10-13-08
NAME	RCPT ASSY, SIZE 2, ARINC 600 (11Q11/150/59)	
PRODUCT SPEC	APPLICATION SPEC	
SIZE	CAGE CODE	DRAWING NO
A1	00779	1996689
WEIGHT	CUSTOMER DRAWING	
SCALE	3:2	SHEET 1 OF 3
REV	G	


LOC		DIST		REVISIONS			
P	LTR	DESCRIPTION	DATE	DN	APVD		
-	-	SEE SHEET #1	-	-	-	-	-

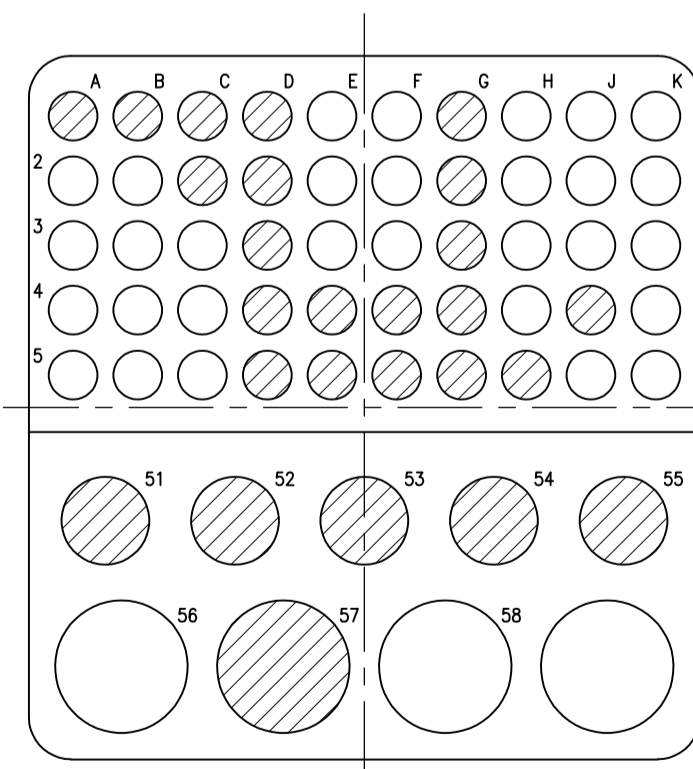


SIZE 22 S & F SOCKET CONTACT USED IN 1996689-3 MODULE B

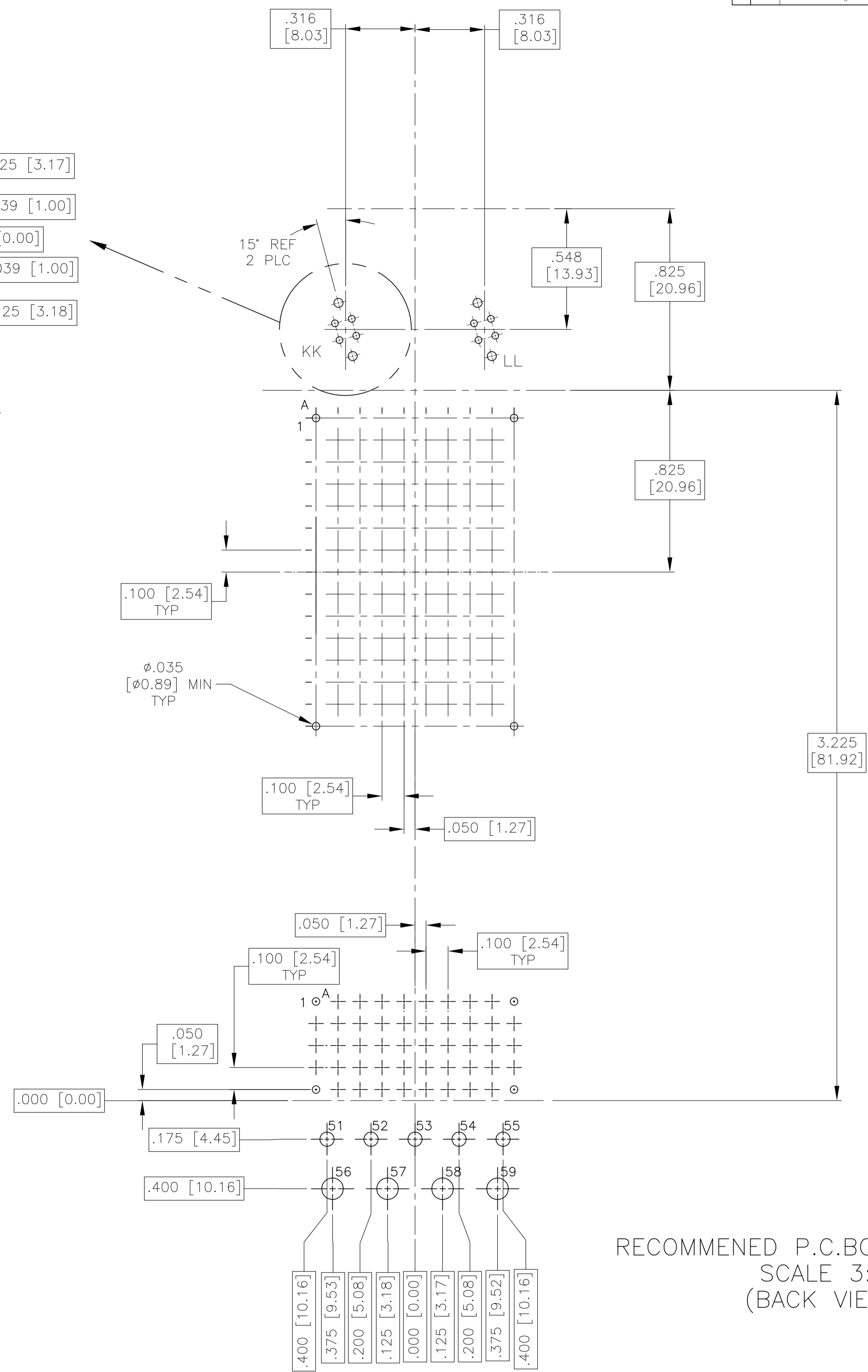
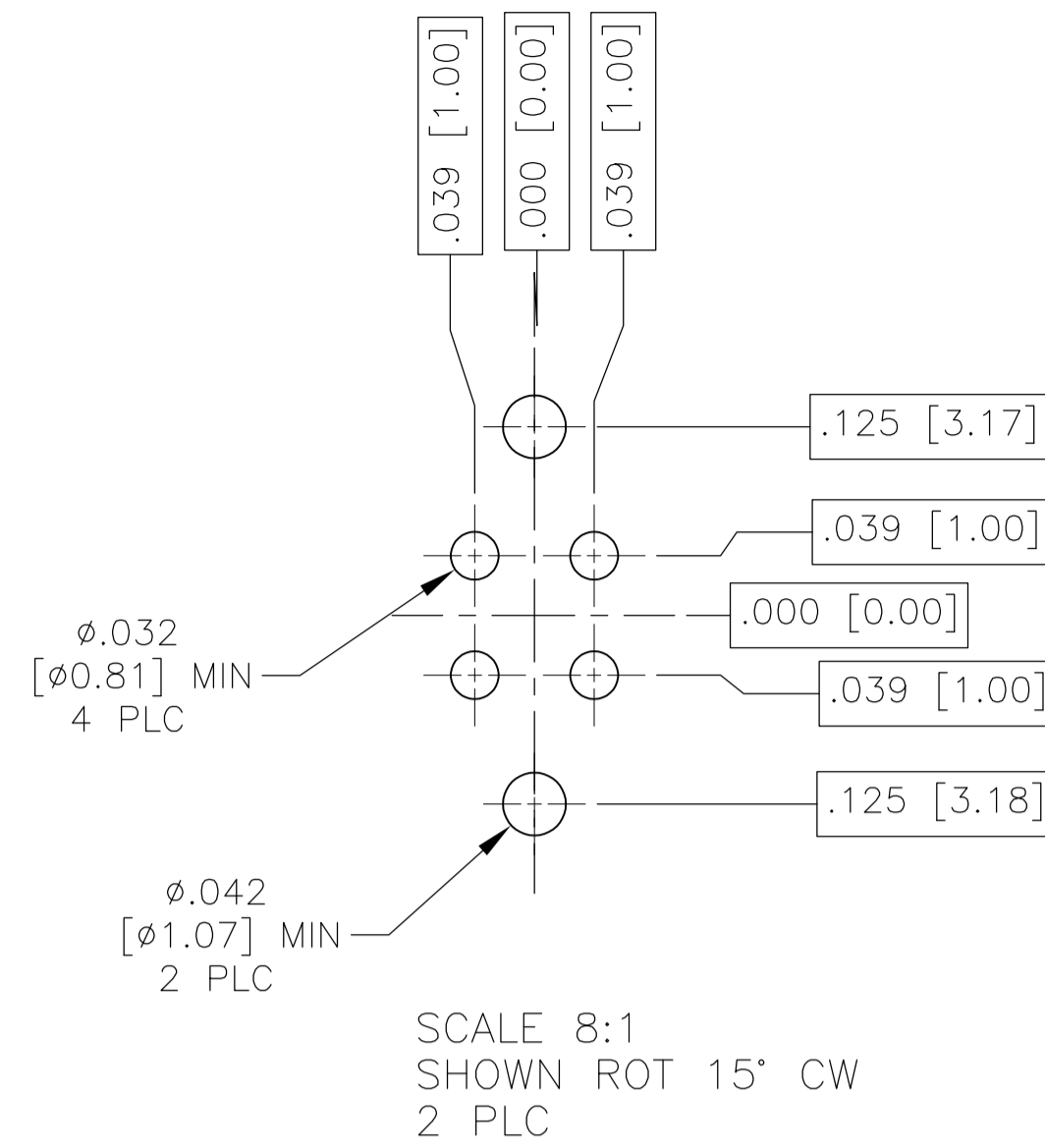
THIS DRAWING IS A CONTROLLED DOCUMENT.		DIN C.C.THOMAS 10-10-08	TE Connectivity
DIMENSIONS: INCHES [mm]		CHK K.THACKSTON 10-13-08	
TOLERANCES UNLESS OTHERWISE SPECIFIED:		APVD K.THACKSTON 10-13-08	NAME RCPT ASSY, SIZE 2, ARINC 600 (11Q11/150/59)
0 PLC ± -	1 PLC ± -	PRODUCT SPEC	APPLICATION SPEC
2 PLC ± -	3 PLC ± .002 [0.05]	WEIGHT	RESTRICTED TO
4 PLC ± -	ANGLES ± -	A1 00779	SCALE 3:2 SHEET 2 OF 3 REV G
MATERIAL SEE TABLE	FINISH SEE TABLE	CUSTOMER DRAWING	



 = FILLER PLUG OR EPOXY FILL FOR 1996689-3 150 POSITION INSERT


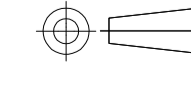


MATING FACE VIEW
SCALE 4:1



RECOMMENED P.C.BOARD LAYOUT
SCALE 3:1
(BACK VIEW)

LOC		DIST		REVISIONS			
P	LTR	DESCRIPTION	DATE	DNW	APVD		
-	-	SEE SHEET #1	-	-	-		

THIS DRAWING IS A CONTROLLED DOCUMENT.		DIN C.C.THOMAS 10-10-08		 TE Connectivity	
DIMENSIONS: INCHES [mm]		TOLERANCES UNLESS OTHERWISE SPECIFIED:			
		0 PLC	± -	APVD K.THACKSTON 10-13-08	
		1 PLC	± -	NAME RCPT ASSY, SIZE 2, ARINC 600 (11Q11/150/59)	
		2 PLC	± -	PRODUCT SPEC	
		3 PLC	± .002 [0.05]	APPLICATION SPEC	
MATERIAL SEE TABLE		FINISH SEE TABLE		SIZE A1 CASE CODE 00779 DRAWING NO. 1996689	
		WEIGHT		RESTRICTED TO	
		CUSTOMER DRAWING		SCALE 3:2 SHEET 3 OF 3 REV G	